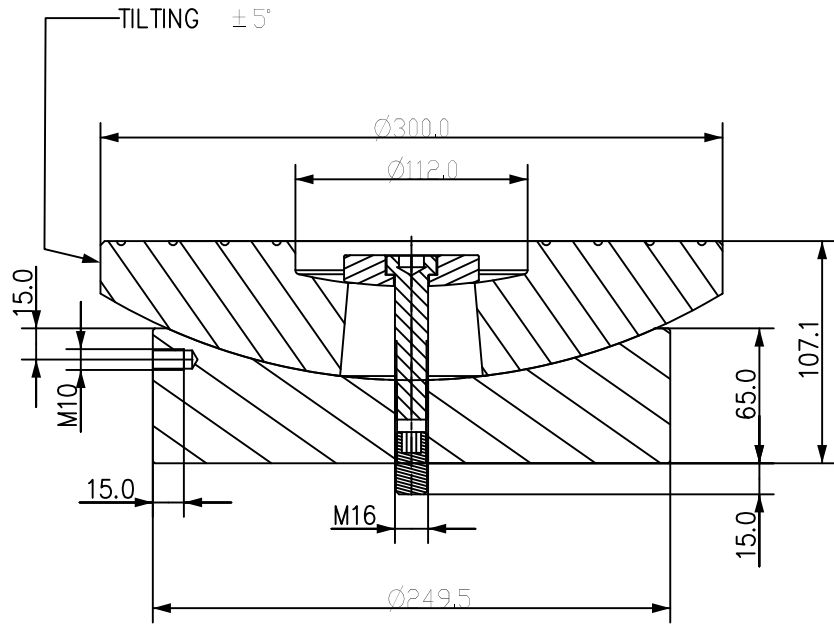
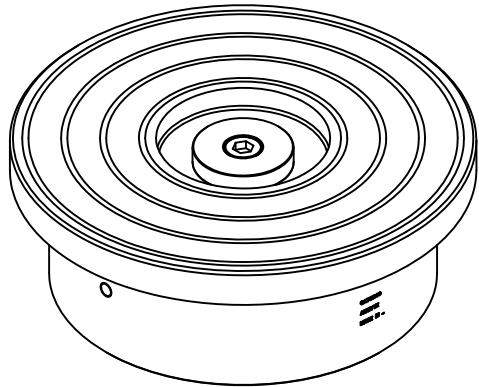



ECN0063527



MAX CAPACITY: 10644 kN  
WEIGHT : 44.2 KG

Language Code - Primary/Secondary eng/ENG	Document Type: Machined	Description: CATS TILTING SADDLE 1000 TON CATS1000		
FIRST ANGLE PROJECTION 	Technical Reference: Juan Carlos Gomez	Rev C	Date of Issue 2019OCT18	Sheet 1/1
DO NOT SCALE DRAWING	Approver: Juan Carlos Gomez	CATS1000ID		
Per ASME Y14.5 - 2009	Creator: Gonzalez, Jorge	<small>This print and information herein is confidential and proprietary and is the property of ENERPAC. It is not to be copied or reproduced without written permission.</small> 