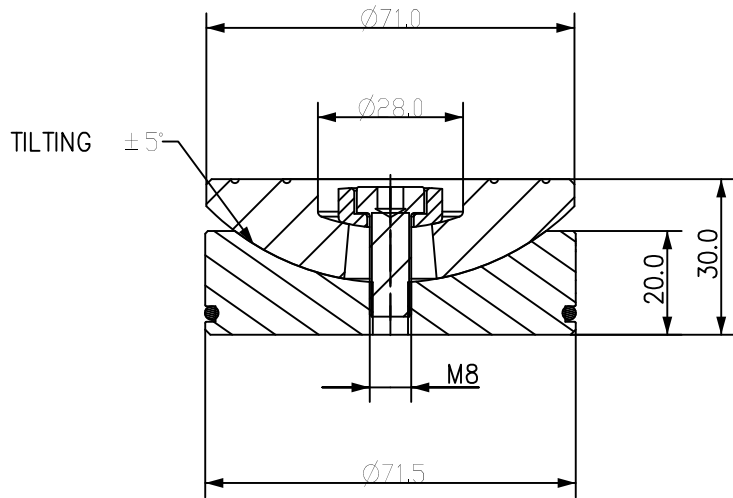
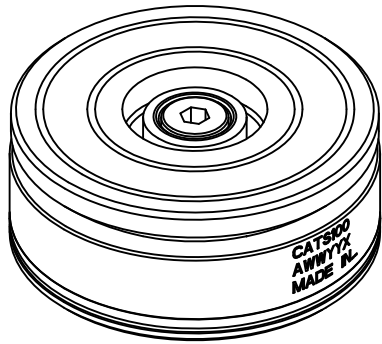


ECN0063174



MAX CAPACITY: 1002 kN
WEIGHT : 0.9 KG

Language Code - Primary/Secondary eng/ENG	Document Type: Drawing	Description: CATS TILTING SADDLE 100 TON CATS100		
FIRST ANGLE PROJECTION	Technical Reference: Juan Carlos Gomez	Rev C	Date of Issue 2019OCT07	Sheet 1/1
DO NOT SCALE DRAWING	Approver: Juan Carlos Gomez	CATS100ID		
Per ASME Y14.5 - 2009	Creator: Gonzalez, Jorge	<small>This print and information herein is confidential and proprietary and is the property of ENERPAC. It is not to be copied or reproduced without written permission.</small>		