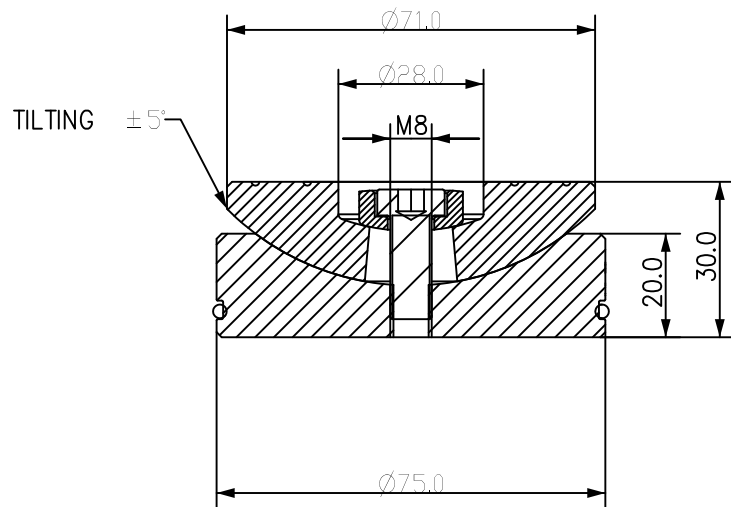
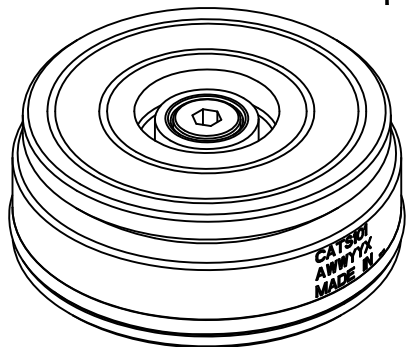



ECN0063174



MAX CAPACITY: 1002 kN  
WIGHT : 0.95 KG

Language Code - Primary/Secondary eng/ENG	Document Type: Drawing	Description: CATS TILTING SADDLE 100 TON			
FIRST ANGLE PROJECTION 	Technical Reference: Juan Carlos Gomez				
DO NOT SCALE DRAWING	Approver: Juan Carlos Gomez	Rev B	Date of Issue 2019JUN12	CATS101ID	Sheet 1/1
Per ASME Y14.5 - 2009	Creator: Gonzalez, Jorge	<small>This print and information herein is confidential and proprietary and is the property of ENERPAC. It is not to be copied or reproduced without written permission.</small> 