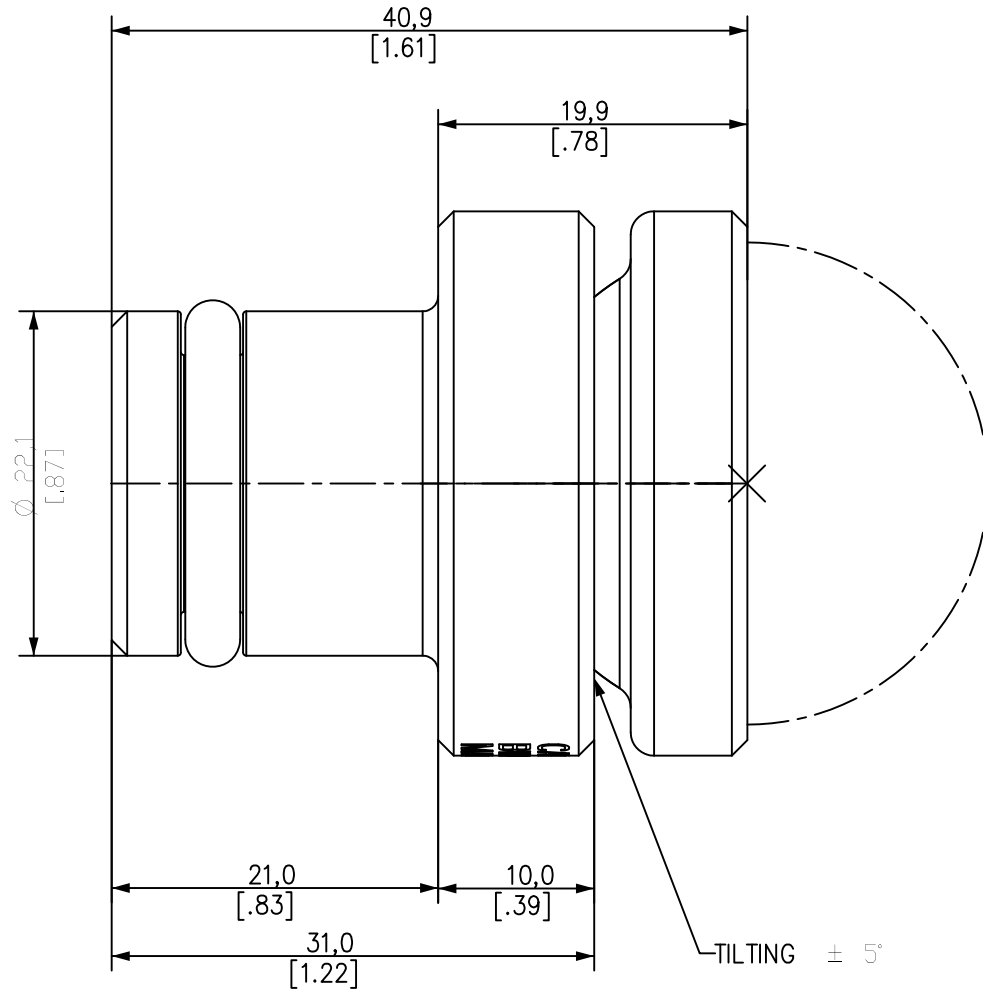


MAX LOAD CAPACITY : 142kN
WEIGHT : 0.2 Kg



Language Code - Primary/Secondary eng/	Document Type: Machined	Description: TILTING SADDLE 10 TON CATS12			
FIRST ANGLE PROJECTION	Technical Reference: Juan Carlos Gomez	Rev D	Date of Issue 2020SEP08	CATS12ID	Sheet 1/1
DO NOT SCALE DRAWING	Approver: Juan Carlos Gomez	Creator: Gonzalez, Jorge			
Per ASME Y14.5 - 2009	<small>This print and information herein is confidential and proprietary and is the property of ENERPAK. It is not to be copied or reproduced without written permission.</small>				