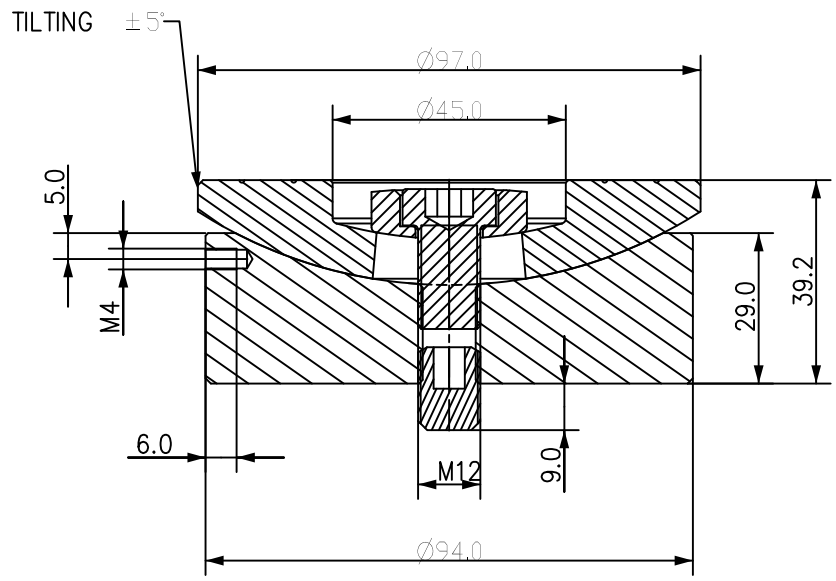
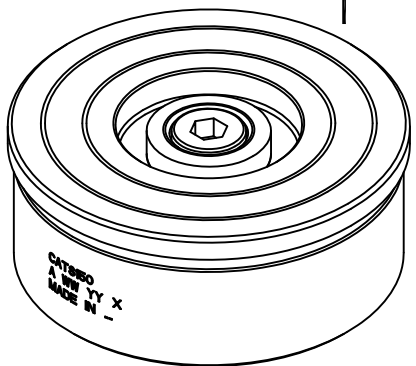


ECN0063174



MAX CAPACITY: 1497 kN
 WEIGHT : 2.0KG

Language Code - Primary/Secondary eng/ENG	Document Type: Drawing	Description: CATS TILTING SADDLE 150 TON CATS150		
FIRST ANGLE PROJECTION	Technical Reference: Juan Carlos Gomez	Rev B	Date of Issue 2019OCT07	Sheet 1/1
DO NOT SCALE DRAWING	Approver: Juan Carlos Gomez	CATS150ID		
Per ASME Y14.5 - 2009	Creator: Gonzalez, Jorge			