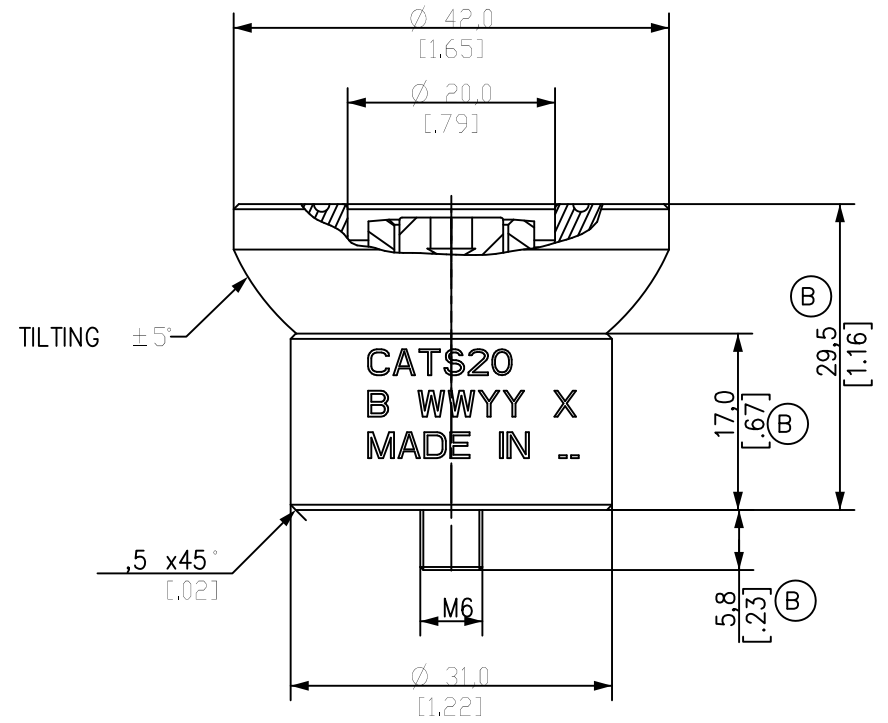


ECN0068801



MAX CAPACITY: 218 kN  
WEIGHT : 0.2 KG

Language Code - Primary/Secondary eng/ENG	Document Type: Drawing	Description: TILTING SADDLE 20 TON CATS20			
FIRST ANGLE PROJECTION	Technical Reference: Juan Carlos Gomez	Rev B	Date of Issue 2020APR02	CATS20ID	Sheet 1/1
DO NOT SCALE DRAWING	Approver: Juan Carlos Gomez	Creator: Gonzalez, Jorge			
Per ASME Y14.5 - 2009	<small>This print and information herein is confidential and proprietary and is the property of ENERPAC. It is not to be copied or reproduced without written permission.</small>				