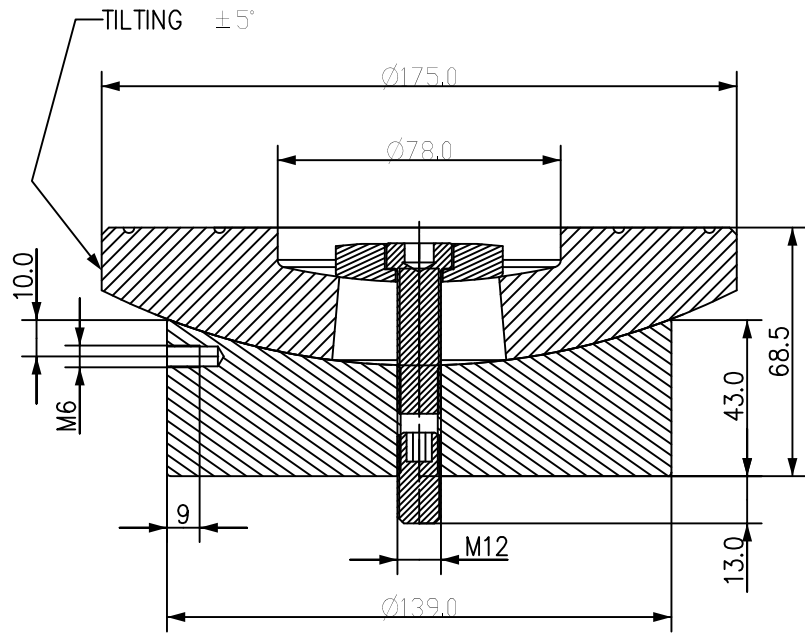
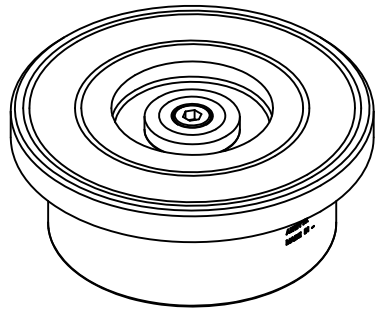



ECN0063174



SECTION A-A

MAX CAPACITY: 3036 kN
WEIGHT : 9.0KG

Language Code - Primary/Secondary eng/ENG	Document Type: Drawing	Description: CATS TILTING SADDLE 300 TON CATS300		
FIRST ANGLE PROJECTION 	Technical Reference: Juan Carlos Gomez	Rev B	Date of Issue 2019OCT07	Sheet 1/1
DO NOT SCALE DRAWING	Approver: Juan Carlos Gomez	CATS300ID		
Per ASME Y14.5 - 2009	Creator: Gonzalez, Jorge	<small>This print and information herein is confidential and proprietary and is the property of ENERPAC. It is not to be copied or reproduced without written permission.</small> 