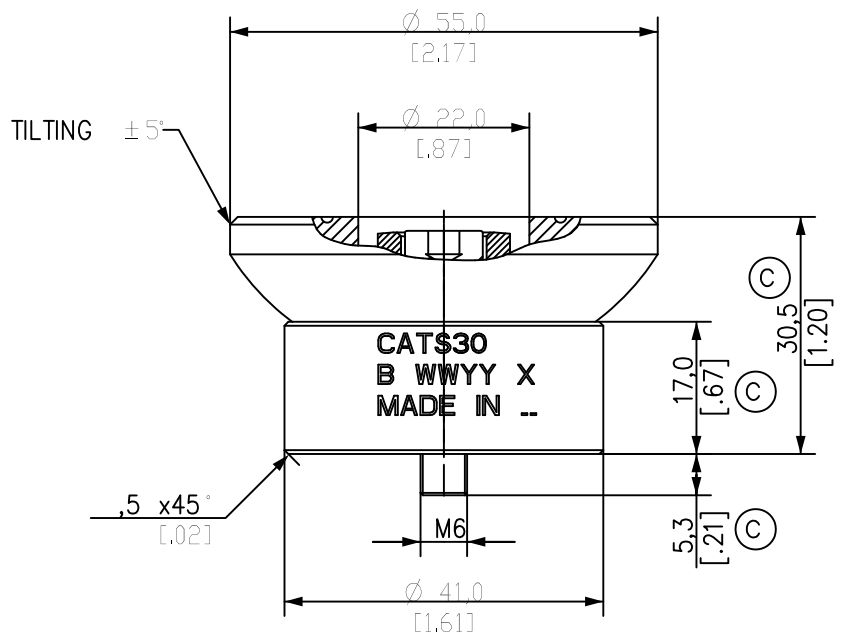


ECN0068801



MAX CAPACITY: 309 kN  
WEIGHT : 0.35 KG

Language Code - Primary/Secondary eng/ENG	Document Type: Drawing	Description: TILTING SADDLE 30 TON CATS30		
FIRST ANGLE PROJECTION	Technical Reference: Juan Carlos Gomez	Rev C	Date of Issue 2020APR02	Sheet 1/1
DO NOT SCALE DRAWING	Approver: Juan Carlos Gomez	CATS30ID		
Per ASME Y14.5 - 2009	Creator: Gonzalez, Jorge			