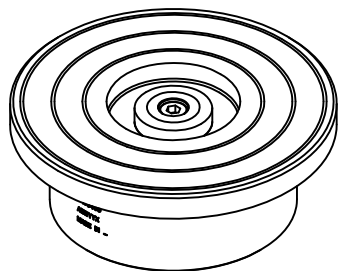
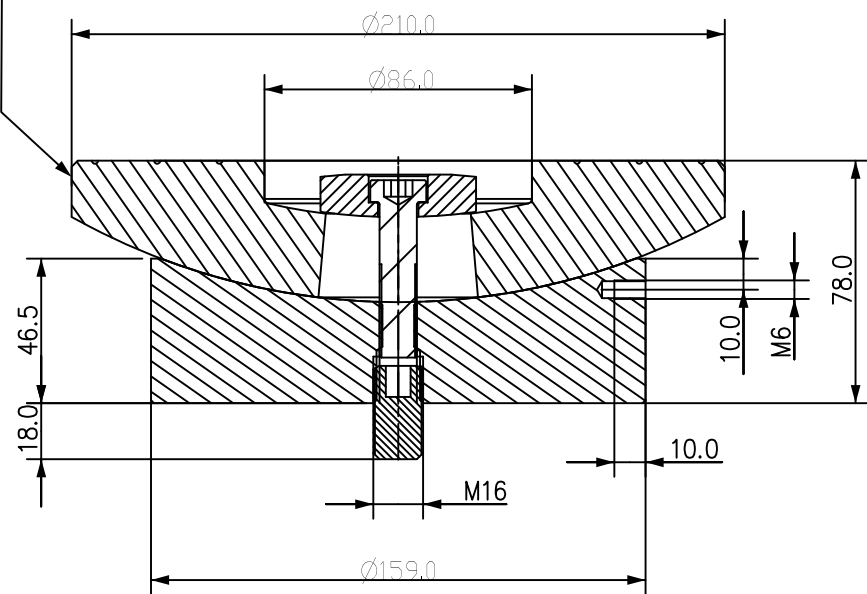



ECN0064935



TILTING ±5°



MAX CAPACITY: 4008 kN  
WEIGHT :14.0 KG

Language Code - Primary/Secondary eng/ENG	Document Type: ID DRAWING	Description: CATS TILTING SADDLE 400 TON			
FIRST ANGLE PROJECTION 	Technical Reference: Juan Carlos Gomez				
DO NOT SCALE DRAWING	Approver: Juan Carlos Gomez	Rev C	Date of Issue 2019DEC11	CATS400ID	Sheet 1/1
Per ASME Y14.5 - 2009	Creator: Gonzalez, Jorge	<small>This print and information herein is confidential and proprietary and is the property of ENERPAC. It is not to be copied or reproduced without written permission.</small> 