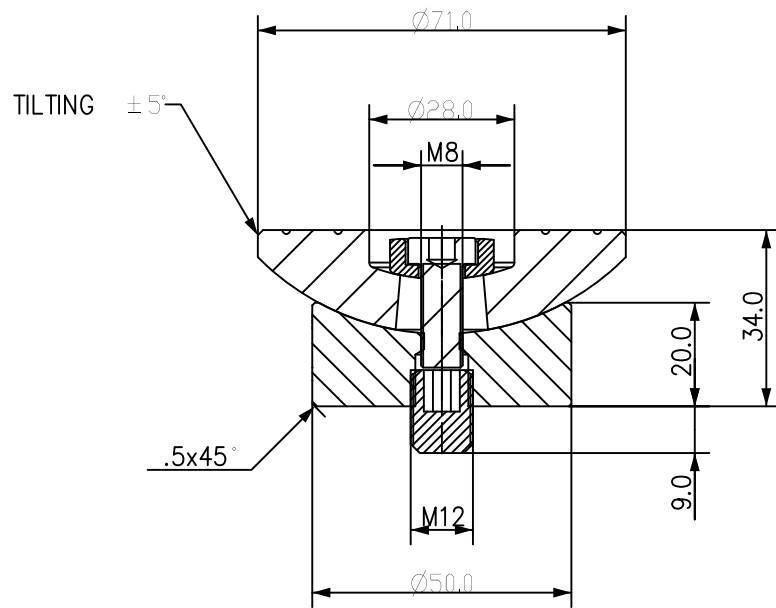
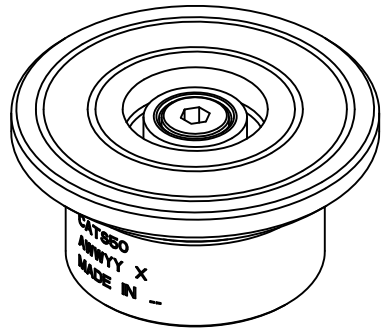


ECN0054485



MAX CAPACITY: 550 kN
WEIGHT : 1 KG

Language Code - Primary/Secondary eng/ENG	Document Type: Drawing	Description: TILTING SADDLE 50 TON CATS50			
FIRST ANGLE PROJECTION	Technical Reference: Juan Carlos Gomez	Rev A	Date of Issue 2019JUN11	CATS50ID	Sheet 1/1
DO NOT SCALE DRAWING	Approver: Juan Carlos Gomez	Creator: Gonzalez, Jorge			
Per ASME Y14.5 - 2009	<small>This print and information herein is confidential and proprietary and is the property of ENERPAC. It is not to be copied or reproduced without written permission.</small>				