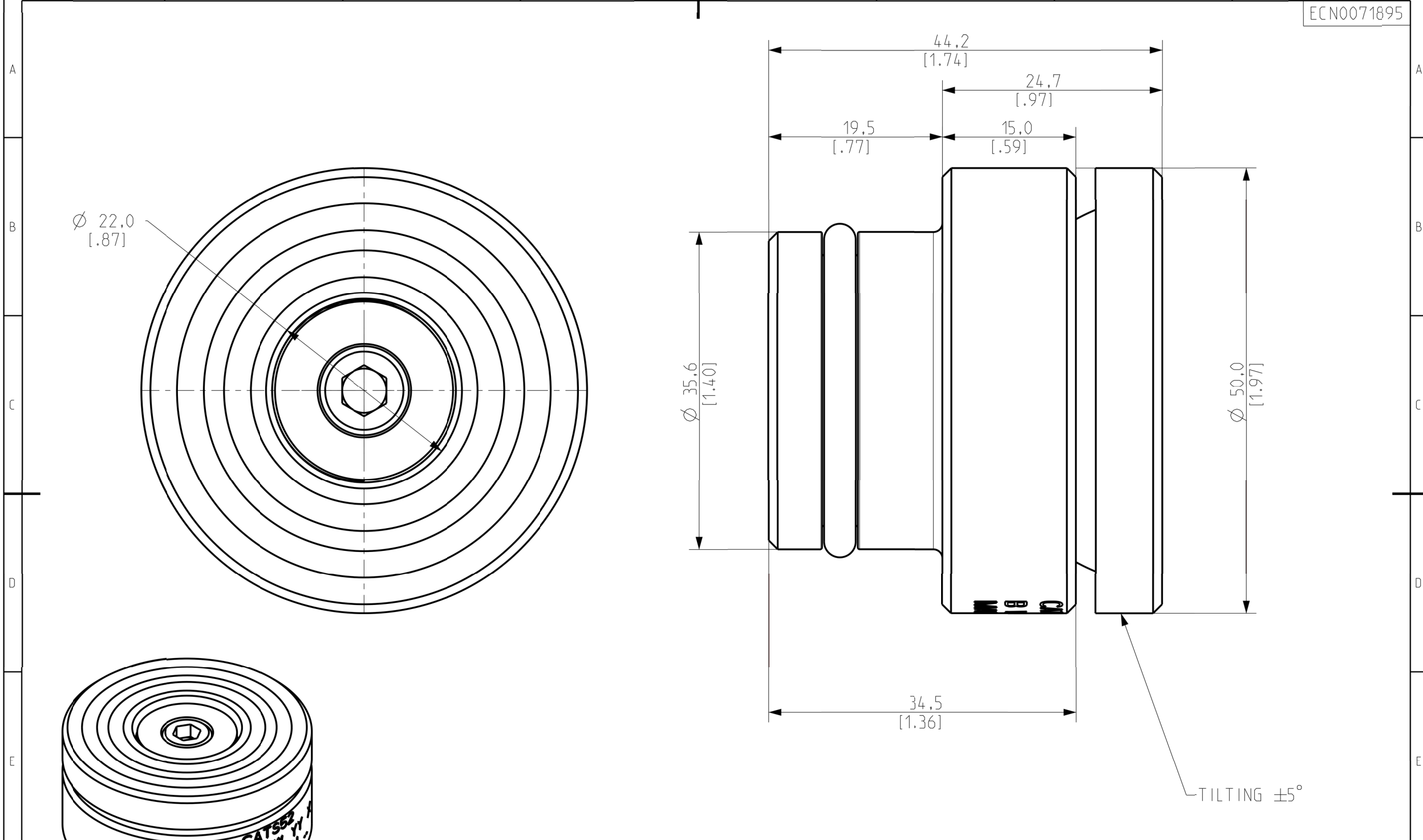


PRODUCTION

PRODUCTION

ECN0071895



MAX. LOAD CAPACITY : 295 kN  
WEIGHT : 0.48 KG

Language Code - Primary/Secondary eng/	Document Type: Machined	Description: TILTING SADDLE CATS52		
<b>FIRST ANGLE PROJECTION</b>	Technical Reference: Juan Carlos Gomez	Rev D	Date of Issue 2020SEP08	Sheet 1/1
DO NOT SCALE DRAWING	Approver: Juan Carlos Gomez	CATS521D		
Per ASME Y14.5 - 2009	Creator: Gonzalez, Jorge	<small>This print and information herein is confidential and proprietary and is the property of ENERPAC. It is not to be copied or reproduced without written permission.</small>		

PRODUCTION

PRODUCTION

2020-09-25T01:35:53