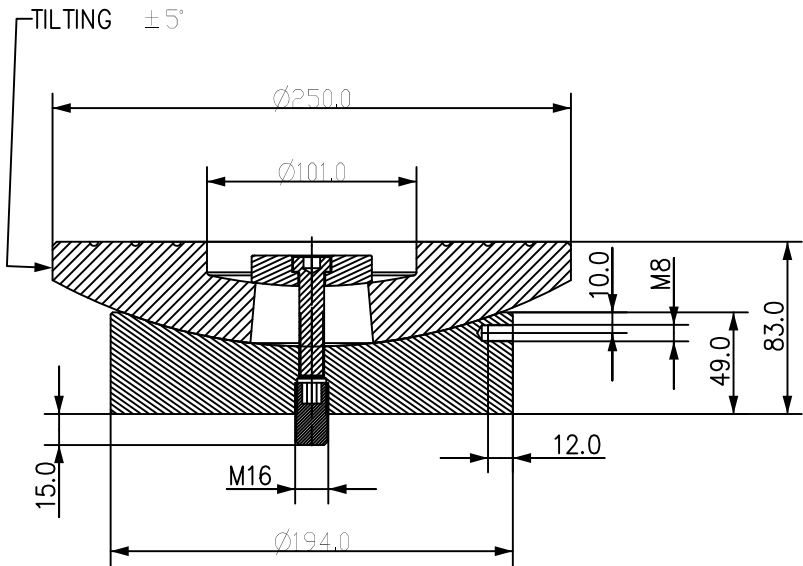
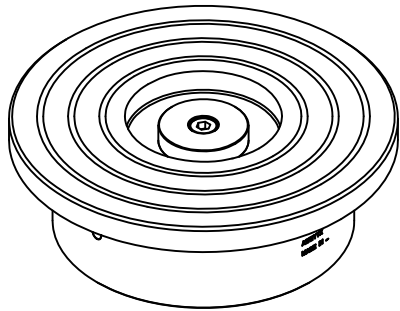



ECN0064935



MAX CAPACITY: 5987 kN
SECTION A-A WEIGHT : 21.5 KG.

Language Code - Primary/Secondary eng/ENG	Document Type: Drawing	Description: CATS TILTING SADDLE 600 TON CATS600		
FIRST ANGLE PROJECTION 	Technical Reference: Juan Carlos Gomez	Rev D	Date of Issue 2019DEC12	Sheet 1/1
DO NOT SCALE DRAWING	Approver: Juan Carlos Gomez	CATS600ID		
Per ASME Y14.5 - 2009	Creator: Gonzalez, Jorge	<small>This print and information herein is confidential and proprietary and is the property of ENERPAC. It is not to be copied or reproduced without written permission.</small> 