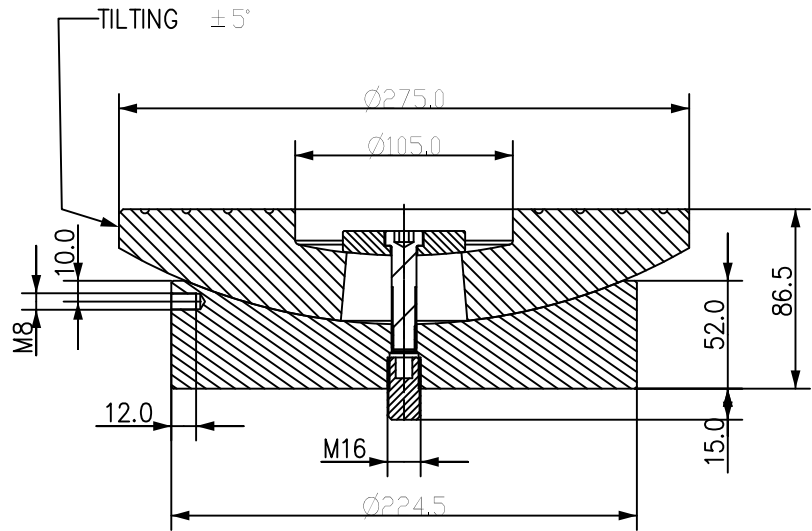
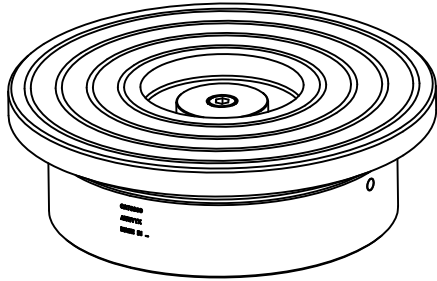


ECN0063537



MAX CAPACITY: 8149 kN
WEIGHT : 28.9 KG

| | | | | |
|--|---|---|----------------------------|--------------|
| Language Code - Primary/Secondary eng/ENG | Document Type: Drawing | Description: CATS TILTING SADDLE 800 TON CATS800 | | |
| FIRST ANGLE PROJECTION | Technical Reference: Juan Carlos Gomez | Rev D | Date of Issue 2020FEB03 | Sheet 1/1 |
| DO NOT SCALE DRAWING | Approver: Juan Carlos Gomez | CATS800ID | | |
| Per ASME Y14.5 - 2009 | Creator: Gonzalez, Jorge | <small>This print and information herein is confidential and proprietary and is the property of ENERPAC. It is not to be copied or reproduced without written permission.</small> | | |