

L2062

Rev. I

02/21

EN

Index:	Page
English.....	1-7
Français.....	8-14
Deutsch.....	15-21
Italiano.....	22-28
Español.....	29-34
Nederlands.....	35-41
Português.....	42-48
Suomi.....	49-54
Norsk.....	55-60
Svenska.....	61-66
日本語.....	67-72
Polski.....	73-79
Česky.....	80-86
한국어.....	87-93





1.0 IMPORTANT RECEIVING INSTRUCTIONS

Visually inspect all components for shipping damage. Shipping damage is **not** covered by warranty. If shipping damage is found, notify carrier at once. The carrier is responsible for all repair and replacement costs resulting from damage in shipment.

SAFETY FIRST

2.0 SAFETY ISSUES


  Read all instructions, warnings and cautions carefully. Follow all safety precautions to avoid personal injury or property damage during system operation. Enerpac cannot be responsible for damage or injury resulting from unsafe product use, lack of maintenance or incorrect product and/or system operation. Contact Enerpac when in doubt as to the safety precautions and operations. If you have never been trained on high-pressure hydraulic safety, consult your distribution or service center for information about an Enerpac Hydraulic safety course.


Failure to comply with the following cautions and warnings could cause equipment damage and personal injury.


A **CAUTION** is used to indicate correct operating or maintenance procedures and practices to prevent damage to, or destruction of equipment or other property.


A **WARNING** indicates a potential danger that requires correct procedures or practices to avoid personal injury.


A **DANGER** is only used when your action or lack of action may cause serious injury or even death.


 **WARNING:** Wear proper personal protective gear when operating hydraulic equipment.


 **WARNING: Stay clear of loads supported by hydraulics.** A cylinder, when used as a load lifting device, should never be used as a load holding device. After the load has been raised or lowered, it must always be blocked mechanically.


 **WARNING: USE ONLY RIGID PIECES TO HOLD LOADS.** Carefully select steel or wood blocks that are capable of supporting the load. Never use a hydraulic cylinder as a shim or spacer in any lifting or pressing application.


 **DANGER:** To avoid personal injury keep hands and feet away from cylinder and workpiece during operation.


 **WARNING:** Do not exceed equipment ratings. Never attempt to lift a load weighing more than the capacity of the cylinder. Overloading causes equipment failure and possible personal injury. The cylinders are designed for a max. pressure of 700 bar [10,000 psi]. Do not connect a jack or cylinder to a pump with a higher pressure rating.

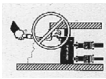
 **Never** set the relief valve to a higher pressure than the maximum rated pressure of the pump. Higher settings may result in equipment damage and/or personal injury.

 **WARNING:** The system operating pressure must not exceed the pressure rating of the lowest rated component in the system. Install pressure gauges in the system to monitor operating pressure. It is your window to what is happening in the system.

 **CAUTION:** Avoid damaging hydraulic hose. Avoid sharp bends and kinks when routing hydraulic hoses. Using a bent or kinked hose will cause severe back-pressure. Sharp bends and kinks will internally damage the hose leading to premature hose failure.

 **Do not** drop heavy objects on hose. A sharp impact may cause internal damage to hose wire strands. Applying pressure to a damaged hose may cause it to rupture.

 **IMPORTANT:** Do not lift hydraulic equipment by the hoses or swivel couplers. Use the carrying handle or other means of safe transport.



CAUTION: Keep hydraulic equipment away from flames and heat. Excessive heat will soften packings and seals, resulting in fluid leaks. Heat also weakens hose materials and packings. For optimum performance do not expose equipment to temperatures of 65°C [150°F] or higher. Protect hoses and cylinders from weld spatter.



DANGER: Do not handle pressurized hoses. Escaping oil under pressure can penetrate the skin, causing serious injury. If oil is injected under the skin, see a doctor immediately.



WARNING: Only use hydraulic cylinders in a coupled system. Never use a cylinder with unconnected couplers. If the cylinder becomes extremely overloaded, components can fail catastrophically causing severe personal injury.



WARNING: BE SURE SETUP IS STABLE BEFORE LIFTING LOAD. Cylinders should be placed on a flat surface that can support the load. Where applicable, use a cylinder base for added stability. Do not weld or otherwise modify the cylinder to attach a base or other support.



Avoid situations where loads are not directly centered on the cylinder plunger. Off-center loads produce considerable strain on cylinders and plungers. In addition, the load may slip or fall, causing potentially dangerous results.



Distribute the load evenly across the entire saddle surface. Always use a saddle to protect the plunger.



IMPORTANT: Hydraulic equipment must only be serviced by a qualified hydraulic technician. For repair service, contact the Authorized ENERPAC Service Center in your area. To protect your warranty, use only ENERPAC oil.



WARNING: Immediately replace worn or damaged parts by genuine ENERPAC parts. Standard grade parts will break causing personal injury and property damage. ENERPAC parts are designed to fit properly and withstand high loads.



CAUTION: Check specifications and motor plate data. Use of an incorrect power source will damage the motor.

3.0 Specifications

	“B” Models	“E” Models
Operating Pressure	0-10,000 psi [700 bar] {70 mPa}	
Electric Power Source	15 Amp 120 V. grounded 1Ph. 50/60 Hz	10 Amp 220 V. 1Ph. 50/60 Hz
Motor Rating	Motor Rating 1/2 HP Universal, 9 Amps at 10,000 psi [700 bar] & 12,000 RPM operates at 60-125 Volts 85-89 dBA	.37 kW Universal, 4 Amps at 10,000 psi [700 bar] {70 mPa} & 12,000 RPM 85-89 dBA
Flow Rate	200 in. ³ /min. [3,3 l/min] at 0-200 psi [0-14 bar] {0-1,4 mPa} 20 in. ³ /min. [0,33 l/min] at 10,000 psi [700 bar] {70 mPa}	
Max. Operating Temperature	150°F [65°C]	

Model No.	Used with Cylinder	Valve Type	Usable Oil Capacity	Weight
PUD-1100B/E	Single-Acting	Dump Valve	122 in. ³	31 lbs.
PUD-1101B/E			231 in. ³	43 lbs.
PUD-1300B/E	Single-Acting	Dump/Hold	122 in. ³	31 lbs.
PUD-1301B/E			122 in. ³	43 lbs.
PUJ-1200B/E	Single-Acting	3-Way, 2-Position	122 in. ³	27 lbs.
PUJ-1201B/E			231 in. ³	39 lbs.
PUJ-1400B/E	Double-Acting	4-Way, 3-Position	122 in. ³	32 lbs.
PUJ-1401B/E			231 in. ³	44 lbs.

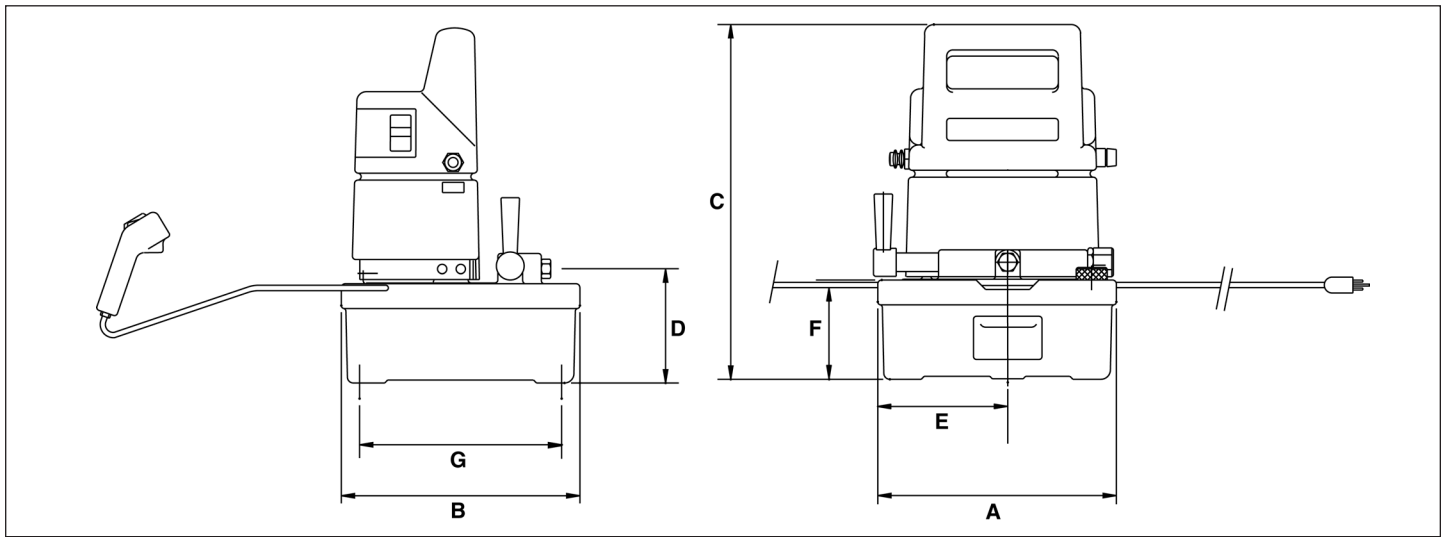


Figure 1

Dimensions in. [cm]								
Models	A	B	C	D	E	F	G	H
PUD-1100B/E, PUD-1300B/E, PUJ-1200B/E, PUJ-1400B/E	9.62 [24,43]	9.62 [24,43]	14.25 [36,20]	4.72 [11,99]	5.25 [13,34]	4.00 [10,16]	8.12 [20,62]	.75 [1,90]
PUD-1101B/E, PUD-1301B/E, PUJ-1201B/E, PUJ-1401B/E	12.18 [30,94]	14.50 [36,83]	14.72 [10,54]	5.12 [13,00]	5.62 [14,27]	4.15 [10,54]	12.77 [32,43]	0.62 [1,57]

The "D" dimension on the PUJ-1400B/E is 6.18 in. [15,7 cm]; on the PUJ-1401B/E, it is 6.58 in. [16,7 cm].

4.0 INSTALLATION

4.1 Hydraulic Connections

Use 1-1/2 wraps of teflon tape (or suitable thread sealant) on all threads, leaving the first complete thread free of tape to ensure that the tape does not shed into the hydraulic system, causing damage. Trim loose ends.



WARNING: To ensure proper operation, avoid kinking or tightly bending hoses. If a hose becomes kinked or otherwise damaged, it must be replaced. Damaged hoses may rupture at high pressure, causing personal injury.

PUJ-1200B/E, PUJ-1201B/E Models (Figure 2)

1. Remove the shipping plug from the 1/4"-18 NPTF gauge port (A) on top of the control valve.
2. Install a 0-15,000 psi (1035 bar) pressure gauge into the gauge port (A).
3. If required, thread hydraulic hose in the 3/8"-18 NPTF valve outlet port (B).
4. Connect a return line by threading a hose into the return to tank port (C).

PUJ-1400B/E, PUJ-1401B/E Models (Figure 3)

1. Remove the shipping plug from the valve advance port (D). Install a gauge adaptor into the 3/8"-18 NPTF advance port (D).
2. Install a 15,000 psi (1035 bar) pressure gauge in the gauge adaptor top port.
3. Install a hydraulic hose into the gauge output adaptor end port (3/8"-18 NPTF). Connect the hose half coupler to the cylinder advance half coupler. Firmly hand tighten the coupler collar. DO NOT use tools to tighten the coupler halves.

4. If using double-acting circuit install hose into the retract port (E) on the control valve. Connect the hose half coupler to the cylinder retract half coupler.

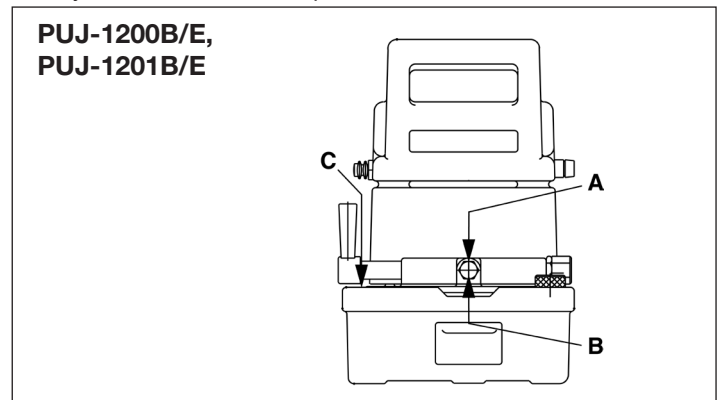


Figure 2

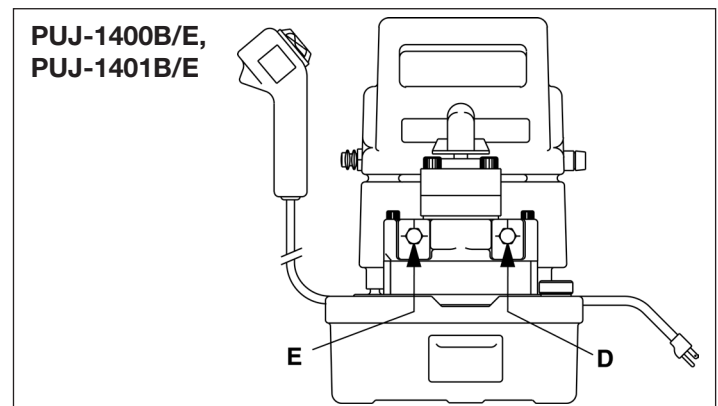


Figure 3

PUD1100B/E, PUD-1101B/E, PUD1300B/E and PUD1301B/E Models

1. The pump-to-cylinder hose attaches directly to the output port (A) of the control valve (see Figure 4).
2. If a gauge is desired to monitor system pressure, a gauge adaptor must be installed into the valve outlet port (A). Install a 0-10,000 psi (700 Bar) pressure gauge into the gauge port of the gauge adaptor.

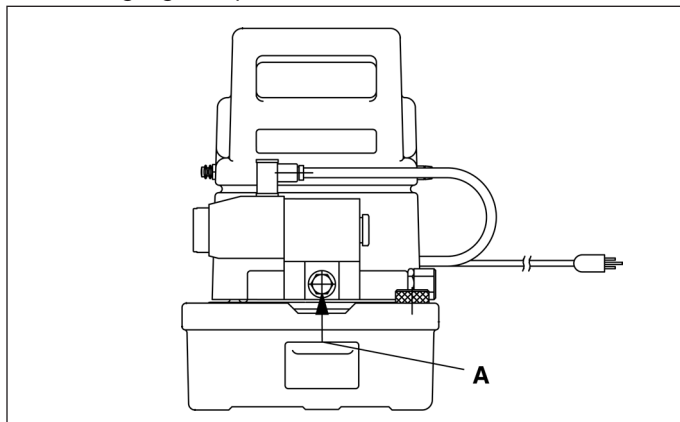


Figure 4

4.2 Valve Mounting (Figure 5)

1. Remove the plate (No. 1, D43918098).
2. Verify that the connector (2) is installed in the pump. If it is not, install the connector, taking care to avoid shearing the seals.

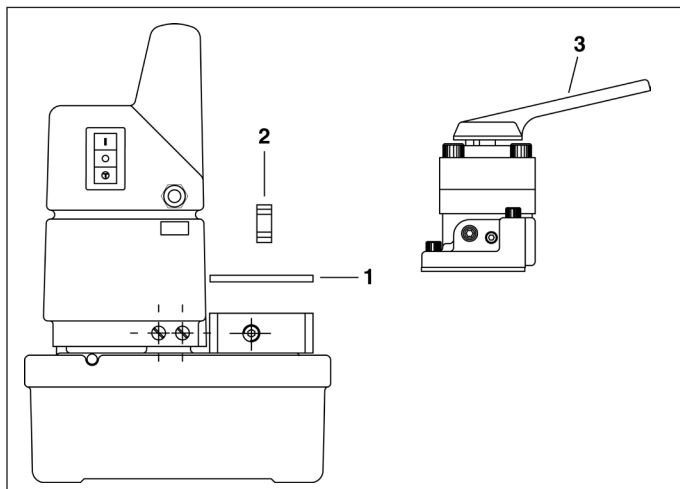


Figure 5

3. Mount the valve (3), taking care to avoid shearing the seals.

4.3 Adding Oil (Figure 6)

Check the oil level by unscrewing and removing the vent/fill plug (F). Add Enerpac hydraulic oil until the oil level is 1/2 inch (1 cm) below the vent/fill opening.

IMPORTANT: Add oil only when all system components are fully retracted, or the system will contain more oil than the reservoir can hold.

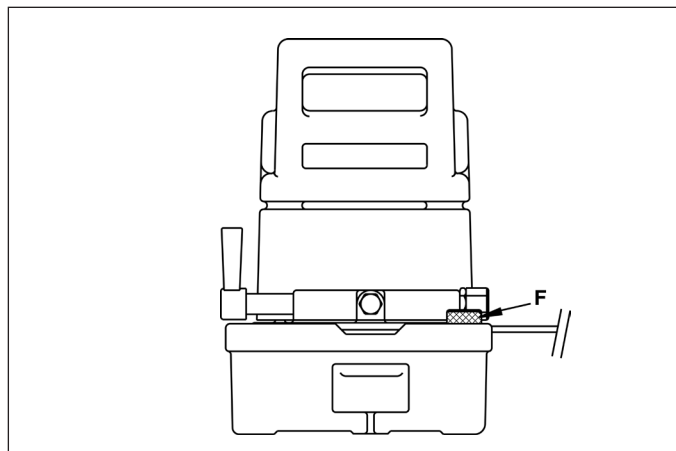


Figure 6

5.0 OPERATION

NOTE: To avoid power losses between the electrical outlet and pump motor, use the shortest possible extension cord. The pump motor will function at low voltage, but motor speed and oil flow will be reduced.

1. Check all system fittings and connections to be sure they are tight and leak free.
2. Check the fluid level and add fluid, if necessary.
3. Open the pump vent plug (F) located on the front right corner of the reservoir by turning it 1 or 2 complete turns.



CAUTION: The vent plug must be open whenever the pump is running.

5.1 Switch Operation (Figure 7)

The “B” version requires a 15 amp, 120 V. grounded 1 Ph. circuit. The “E” version requires 220 V. 1 Ph. The pump power cord is 5 ft. (1 1/2 meters) long.

1. The pump switch is located on the side of the shroud. It is a three position switch, top detent is “ON”, middle is “OFF”, bottom is momentary on “MOM”. Pressing the top “ON” position activates the electrical circuit, but does not turn the pump motor on. The pump motor is activated by the pendant switch (G).
2. Pressing the lower portion of the switch will activate the pump motor as long as the switch is held down. Releasing the switch stops the pump. This momentary position is used as an alternate to the pendant control.

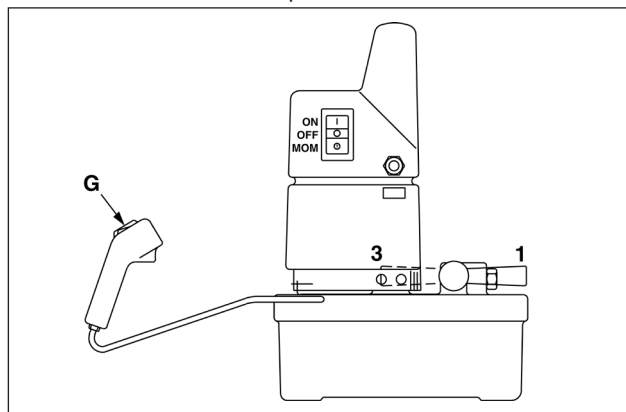


Figure 7

5.2 Pump Control Valve PUJ-1200B/E and PUJ-1201B/E models

The pump control valve directs hydraulic fluid output or return from the hydraulic system components. These models have 3 way, 2 position valves. Valve positions are shown in Figure 8: **(1)**-Advance; **(3)**-Retract. To advance the cylinder, shift the valve to the advance position **(1)** and press the pendant switch.

The cylinder will advance until the pendant switch is released.

To retract the cylinder, shift the valve to the retract position **(3)**.

The cylinder will retract with or without the pump running.

PUJ 1400B/E and PUJ-1401B/E Models (Figure 8)

Control valves on PUJ-1400B/E and PUJ-1401B/E pumps are 4-way, 3-position, for use with double acting cylinders where advance and retract are hydraulically actuated. Valve positions are shown in Figure 8: 1-Advance; 2- Retract; 3- Neutral. In each position the cylinder movement is controlled by the pendant switch.

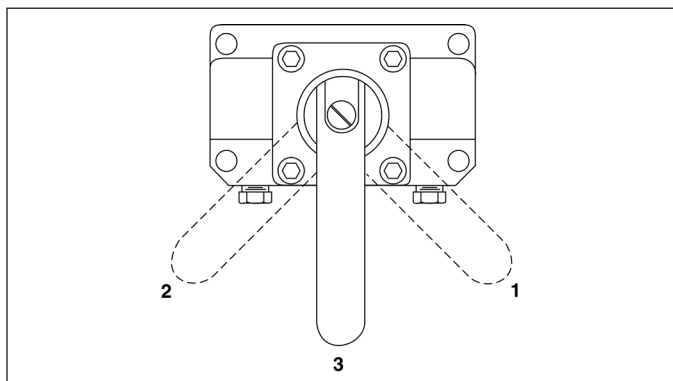


Figure 8

PUD-1100B/E and PUD-1101B/E Models

The PUD-1100B/E and PUD-1101B/E operate single-acting cylinders where the hold function is not necessary. Pressing the pendant switch starts the motor and advances the cylinder. When the switch is released, the cylinder will retract.

PUD1300B/E and PUD1301B/E models

The PUD1300B/E and PUD1301B/E operate single-acting cylinders where the hold function is required. Press the advance button to start the pump and advance the cylinder.

Releasing the advance button will stop the pump and the cylinder will hold the load with the valve. Pressing the retract button will shift the valve, allowing the load to retract.

NOTE: Because the time for the motor to stop can vary, depending on load conditions, the load may not stop advancing at the exact time the advance button is released. There may be a small movement of the cylinder while the motor is stopping.

5.3 Thermal Switch (All models)

To protect the pump from damage, an internal thermal switch shuts off the motor when the oil temperature reaches 150°F (65°C). When the temperature drops to 130°F (54°C) the switch will automatically reset.

5.4 Air Removal

When the hydraulic system is connected for the first time, air will be trapped in the components. To ensure smooth, safe operation, remove the air by running the system through several complete cycles without a load on the cylinders. When cylinders advance and retract without hesitation, the air is vented from the system.



WARNING: To avoid injury and equipment damage, do not continue pressurizing cylinders after they reach maximum travel or maximum operating pressure.

6.0 RELIEF VALVE ADJUSTMENT (Figure 9)

The main pump relief valve is internal and non-adjustable, factory set for 10,000 psi (700 bar) maximum operating pressure. An additional external relief valve is located under a hex cap on the right side of the pump. The external relief valve is adjustable from 10,000 psi (700 bar) down to 2000 psi (140 bar). Operating pressure limits can be reduced below 10,000 psi (700 bar), but not above 10,000 psi (700 bar). (PUJ-1400B/E and PUJ-1401B/E models are not equipped with external adjustable relief valves.)

1. Install a gauge as directed in the installation instructions on page 4.
2. Install a plug in the valve outlet port.
3. Remove the hex cap **(H)** covering the relief valve adjustment screw.
4. Using an allen wrench, turn the adjustment screw counterclockwise one full turn.
5. Turn the pump "ON" and run the pump motor, watching the gauge reading for the maximum pressure. Stop the pump.
6. Continue to adjust the setting until the desired pressure is attained.
7. Check the setting by running the pump several times. If the gauge reading is the same each time, the valve setting is stable.
8. Replace the hex cap to cover the adjusting screw.

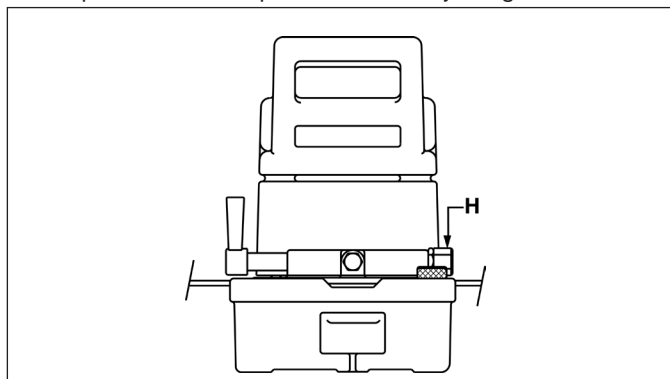


Figure 9

NOTE: To get the most accurate relief valve setting, start at a lower pressure and adjust up to the desired relief valve setting.



WARNING To avoid equipment damage and personal injury, do not attempt to exceed 10,000 psi (700 bar) maximum operating pressure.

7.0 MAINTENANCE

7.1 Checking the Oil Level

Check reservoir hydraulic oil level every 40 hours of operation. Add oil when necessary to bring the level to 1/2" (1 cm) below the fill opening. Use only Enerpac hydraulic oil. The use of other oils or fluids may damage your system, and will void your Enerpac warranty.

7.2 Changing the Oil (Figure 10)

Completely drain the reservoir after every 100 hours of operation. Refill with new hydraulic oil. If pump is operated in very dusty areas or at high temperatures, drain and refill more frequently.

1. To drain the reservoir, remove the vent/fill plug **(F)** from the top right hand corner of the reservoir.

2. Tip the pump until all old oil is drained.
3. Refill with new oil through the same opening. Reservoir capacity is .75 gal. (2,8 l) or 1.5 gal. (5,7 l) depending on model.
4. Replace fill plug **(F)**.

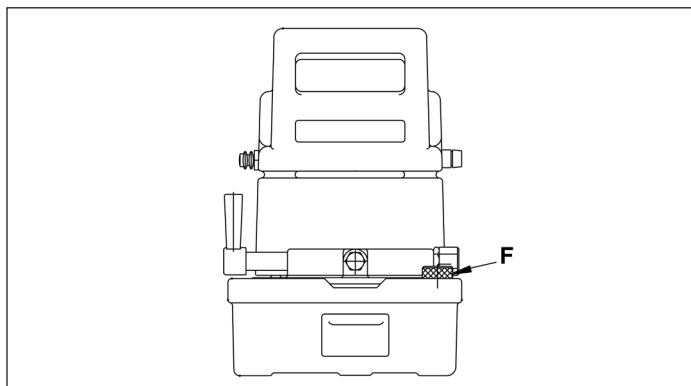


Figure 10

7.3 Cleaning the Reservoir

The pump reservoir can be removed for cleaning. If the pump is constantly used in an extremely dusty environment, the reservoir should be cleaned once a year.

1. Drain the reservoir as described in steps 1 and 2 in "Changing the Oil".
2. Remove the six screws securing the shroud to the reservoir. Lift the shroud off the reservoir. A foam cushion wraps around the motor to keep electrical wires away from the motor. Use caution to avoid damaging or pulling wire connections off the terminals.
3. Remove the eight screws holding the pump to the reservoir. Lift the pump off the reservoir and remove the gasket.
4. Thoroughly clean the reservoir with a suitable solvent.
5. Re-assemble the pump and reservoir, installing a new gasket. Position the shroud over the motor with the shroud handle facing the valve side of the pump. Install the six mounting screws and internal/external lock washers.

If the pump requires repair work, contact a local Authorized Enerpac Service Center.

7.4 Motor Brushes

Check the electric motor brushes at least once every two years. For pumps in heavy usage applications, check the brushes at least once every six months.



DANGER: To avoid possible electrocution, pump must be completely disconnected from electrical power before brush servicing is attempted.

8.0 TROUBLESHOOTING (See Chart)

The Troubleshooting Chart is intended as a guide to help you diagnose and correct various possible pump problems.

Only qualified hydraulic technicians should troubleshoot and service the pump. For repair service, contact the Enerpac Authorized Service Center in your area.

8.1 Circuit Breaker (Pumps with Date Code "F" and Later)

In the event of an electrical overload, the pump circuit breaker will trip. After investigating and correcting the source of the overload, push the circuit breaker button to reset.

8.2 Fuses (Pumps With Date Code "F" and Later)

Internal fuses protect the primary and secondary circuits of the control transformer. If a fuse blows, investigate and correct the source of the failure. Then, replace the blown fuse with a new fuse of the correct rating. For fuse ratings, refer to the Repair Parts Sheet for your pump model.



WARNING: Always disconnect electrical power before replacing fuses.

Note: Fuses are **not** used on the following pumps:

- Pumps manufactured before Date Code "F".
- Models not equipped with pendant (all date codes).

9.0 TEST STANDARDS

9.1 Canadian Standards Association (CSA)

Where specified, pump assemblies meet the design assembly and test requirements of CSA, the Canadian Standards Association (Refer to CAN/CSA — C22.2 No. 68-92, Motor operated appliances).

9.2 Conformité Européene (CE)

Where specified, an EC Declaration of Conformity and CE marking of product is provided. These products conform to European Standards EN982:1996, EN1050:1998 and EN-ISO-12100-1&2:2003, and to EC Directives 2006/42/EC, 97/23/EC, 2004/108/EC, 2006/95/EC and 97/23/EC.

TROUBLESHOOTING CHART

Problem	Possible Cause	Solution
Pump will not start.	No power. Wrong voltage.	Check electrical power source. Check voltage specifications on page 2.
Cylinder will not advance or retract.	Fluid level low. Intake screen clogged. Valve in wrong position. Valve failure.	Fill reservoir to proper level. Clean or replace intake screen. Shift valve to the pressure position. Have pump repaired by a qualified hydraulic technician.
Cylinder advances and retracts erratically.	Air in the system. External leak in system. Internal hydraulic leak.	Remove air from the system by opening and closing the tool until operation is smooth. Tighten leaky connections. Replace any damaged hoses and fittings. Have pump repaired by a qualified hydraulic technician.
Pump fails to maintain pressure.	External hydraulic leak. Internal hydraulic leak.	Tighten leaky connections. Replace any damaged hoses or fittings. Have pump repaired by a qualified hydraulic technician.
Low fluid output.	Fluid level low. Pump component parts are leaking. By-pass valve malfunction. Fluid intake screens on piston blocks may be clogged with debris.	Fill reservoir to the proper level. Test to isolate leaks. Have pump repaired by a qualified hydraulic technician. Inspect intake screens. Flush all components of contamination. Replace any damaged components.

L2062 Rev. I 02/21

FR

1.0 INSTRUCTIONS IMPORTANTES RELATIVES À LA RÉCEPTION

Inspecter tous les composants pour vous assurer qu'ils n'ont subi aucun dommage en cours d'expédition. Les dommages subis en cours de transports ne sont pas couverts par la garantie. S'il sont abîmés, aviser immédiatement le transporteur, qui est responsable des frais de réparation et de remplacement résultant de dommages en cours de transport.

LA SÉCURITÉ AVANT TOUT !

2.0 SÉCURITÉ



Lire attentivement toutes les instructions et mises en garde et tous les avertissements. Suivre toutes les précautions pour éviter d'encourir des blessures personnelles ou de provoquer des dégâts matériels durant le fonctionnement du système. Enerpac ne peut pas être tenue responsable de dommages ou blessures résultant de l'utilisation risquée du produit, d'un mauvais entretien ou d'une application incorrecte du produit et du système. En cas de doute sur les précautions ou les applications, contacter Enerpac. Si vous n'avez jamais suivi de formation sur la sécurité des outils hydrauliques sous haute pression, adressez-vous à votre distributeur ou à votre Centre de Services pour plus d'informations sur les formations de sécurité Enerpac consacrées aux outils hydrauliques.

Respecter les mises en garde et avertissements suivants sous peine de provoquer des dégâts matériels et des blessures personnelles.

Une mise en garde **ATTENTION** sert à indiquer des procédures d'utilisation et de maintenance correctes qui visent à empêcher l'endommagement voire la destruction du matériel ou d'autres dégâts.

Un **AVERTISSEMENT** indique un danger potentiel qui exige la prise de mesures particulières visant à écarter tout risque de blessure.

La mention **DANGER** n'est utilisée que lorsqu'une action ou un acte de négligence risque de causer des blessures graves, voire mortelles.



AVERTISSEMENT : Porter un équipement de protection personnelle adéquat pour utiliser un appareil hydraulique.



AVERTISSEMENT : Rester à l'écart de charges soutenues par un mécanisme hydraulique. Un vérin, lorsqu'il est utilisé comme monte-charge, ne doit jamais servir de support de charge. Après avoir monté ou abaissé la charge, elle doit être bloquée par un moyen mécanique.



AVERTISSEMENT : UTILISER SEULEMENT DES PIÈCES RIGIDES POUR SOUTENIR LES CHARGES.

Sélectionner avec précaution des blocs d'acier ou de bois capables de supporter la charge. Ne jamais utiliser un vérin hydraulique comme cale ou intercalaire d'appui pour les applications de levage ou de pressage.



DANGER : Pour écarter tout risque de blessure personnelle, maintenir les mains et les pieds à l'écart du vérin et de la pièce à usiner durant l'utilisation.



AVERTISSEMENT : Ne pas dépasser les valeurs nominales du matériel. Ne jamais essayer de soulever une charge d'un poids supérieur à la capacité du vérin. Une surcharge entraînera la panne du matériel et risque de provoquer des blessures personnelles. Les vérins sont conçus pour une pression maximale de 700 bar. Ne pas connecter de cric ou de vérin à une pompe affichant une pression nominale supérieure.



Ne jamais régler la soupape de sûreté à une pression supérieure à la pression nominale maximale de la pompe sous peine de provoquer des dégâts matériels et/ou des blessures personnelles.



AVERTISSEMENT : La pression de fonctionnement du système ne doit pas dépasser la pression nominale du composant du système affichant la plus petite valeur. Installer des manomètres dans le système pour surveiller la pression de fonctionnement. Ils permettent de vérifier ce qui se passe dans le système.



ATTENTION : Éviter d'endommager les tuyaux hydrauliques. Éviter de les plier et de les tordre en les mettant en place. Un tuyau plié ou tordu entraînera un fort retour de pression. Les plis et coudes prononcés endommageront par ailleurs l'intérieur du tuyau, provoquant son usure précoce.



Ne pas faire tomber d'objets lourds sur le tuyau. Un fort impact risque de causer des dégâts intérieurs (torons métalliques). L'application d'une pression sur un tuyau endommagé risque d'entraîner sa rupture.



IMPORTANT : Ne pas soulever le matériel hydraulique en saisissant ses tuyaux ou ses raccords articulés. Utiliser la poignée de transport ou procéder d'une autre manière sûre.



ATTENTION : Garder le matériel hydraulique à l'écart de flammes et d'une source de chaleur. Une forte température amollira les garnitures et les joints et provoquera par conséquent des fuites. La chaleur affaiblit également les matériaux et les garnitures du tuyau. Pour une performance maximale, ne pas exposer le matériel à une température supérieure ou égale à 65 °C [150 °F]. Protéger tuyaux et vérins de projections de soudure.



DANGER : Ne pas manipuler les tuyaux sous pression. L'huile sous pression qui risque de s'en échapper peut pénétrer dans la peau et provoquer des blessures graves. En cas d'injection d'huile sous la peau, contacter immédiatement un médecin.



AVERTISSEMENT : Utiliser des vérins hydrauliques uniquement dans un système couplé. Ne jamais utiliser un vérin en présence de raccords déconnectés. La surcharge du vérin peut avoir des effets désastreux sur ses composants, qui peuvent causer des blessures graves.



AVERTISSEMENT: S'assurer de la stabilité de l'ensemble avant de lever une charge. Le vérin doit être placé sur une surface plane capable de supporter la charge. Lorsqu'applicable, utiliser une base de vérin pour accroître la stabilité. Ne pas souder ou modifier le vérin de quelque façon que ce soit pour y fixer une base ou un autre dispositif de support.



Éviter les situations où les charges ne sont pas directement centrées sur le piston du vérin. Les charges décentrées imposent un effort considérable au vérins et pistons. En outre, la charge risque de glisser ou de tomber, ce qui crée un potentiel de danger.



Répartir la charge uniformément sur toute la surface d'appui. Toujours utiliser un coussinet d'appui si des accessoires non filetés sont utilisés.



IMPORTANT : Le matériel hydraulique doit uniquement être réparé par un technicien hydraulique qualifié. Pour toute réparation, contacter le centre de réparation ENERPAC agréé le plus proche. Pour assurer la validité de la garantie, n'utiliser que de l'huile ENERPAC.



AVERTISSEMENT: Remplacer immédiatement les pièces usées ou endommagées par des pièces ENERPAC authentiques. Les pièces de qualité standard se casseront et provoqueront des blessures et des dégâts matériels. Les pièces ENERPAC sont conçues pour s'ajuster parfaitement et résister à de fortes charges.



ATTENTION: Consulter les spécifications et informations de la plaque signalétique du moteur. L'usage d'une source d'alimentation inadéquate causerait des dommages au moteur.

3.0 CARACTÉRISTIQUES

	Modèles "B"	Modèles "E"
Pression de fonctionnement	0 - 700 bar	
Alimentation électrique	15 A, 120 V, mise à la terre, monophasé 50/60 Hz	50/60 Hz, 10 A 220 V, monophasé
Puissance nominale du moteur	0,37 kW Universal, 9 A à 700 bar et 12 000 tr/mn, fonctionnement à 60-125 V, 85-89 dBA	0,37 kW Universal, 4 A à 700 bar et 12 000 tr/mn, 85-89 dBA
Débit	3,3 l min de 0 bar, à 14 bar, et 0,33 l/min à 700 bar	
Température maximale de fonctionnement	65 °C	

N° de modèle de modèle	Utilisée avec vérin	Type de vanne	Contenance d'huile utilisable	Poids
PUD-1100B/E	À simple effet	Vanne de décharge	2,00 l	14 kg
PUD-1101B/E			3,79 l	20 kg
PUD-1300B/E	À simple effet	Vanne de décharge	2,00 l	14 kg
PUD-1301B/E			2,00 l	20 kg
PUJ-1200B/E	À simple effet	Avance / Maintien	2,00 l	12 kg
PUJ-1201B/E			3,79 l	18 kg
PUJ-1400B/E	À double effet	à 4 voies, 3 positions	2,00 l	15 kg
PUJ-1401B/E			3,79 l	20 kg

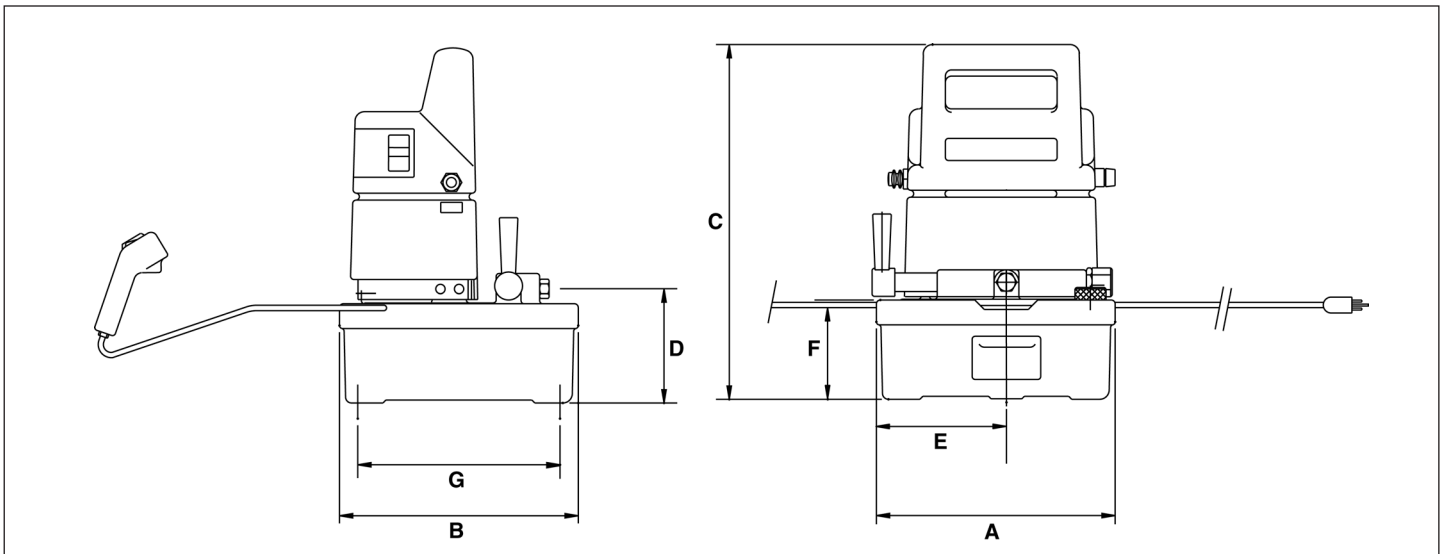


Figure 1

Dimensions en cm								
Modèles	A	B	C	D	E	F	G	H
PUD-1100B/E, PUD-1300B/E, PUJ-1200B/E, PUJ-1400B/E	24,43	24,43	36,20	11,99	13,34	10,16	20,62	1,90
PUD-1101B/E, PUD-1301B/E, PUJ-1201B/E, PUJ-1401B/E	30,94	36,83	10,54	13,00	14,27	10,54	32,43	1,57

La dimension "D" sur le modèle PUJ-1400B/E est de 15,7 cm et sur le PUJ-1401B/E, de 16,7 cm.

4.0 INSTALLATION

4.1 Branchements hydrauliques

Enrober tous les filetages de 1-1/2 tour de ruban de téflon (ou autre produit d'étanchéité adéquat) en veillant à laisser le premier pas découvert pour éviter que le produit s'infiltré dans le circuit hydraulique, ce qui causerait des dommages. Éliminer l'excédent de produit.



AVERTISSEMENT: Pour assurer un bon fonctionnement, éviter de vriller ou de plier les flexibles. Si un flexible est vrillé ou autrement endommagé, il doit être remplacé. Les flexibles endommagés peuvent se rompre sous une forte pression, causant des risques de blessures.

Modèles PUJ-1200B/E, PUJ-1201B/E (Figure 2)

1. Retirer le bouchon d'expédition de l'orifice de manomètre 1/4"-18 NPTF (A) du haut de la vanne de commande.
2. Brancher un manomètre de 0 à 1035 bar dans l'orifice (A).
3. S'il le faut, vissez la conduite hydraulique dans l'orifice de sortie du distributeur 3/8"-18 NPTF (B).
4. Brancher un flexible dans l'orifice de retour au réservoir (C).

Modèles PUJ-1400B/E, PUJ-1401B/E (Figure 3)

1. Retirer le bouchon d'expédition de l'orifice d'extension de la vanne (D). Installer un adaptateur dans cet orifice 3/8"-18 NPTF (D).
2. Installer un manomètre de 1035 bar dans l'orifice supérieur de l'adaptateur.
3. Posez une conduite hydraulique dans l'orifice d'extrémité de l'adaptateur en sortie du manomètre (3/8"-18 NPTF). Assembler les demi-raccords du flexible et de l'orifice d'extension du vérin. Serrer fermement le collier du raccord. NE PAS utiliser un outil pour serrer les demi-raccords.

4. En cas d'utilisation de circuit à double effet, posez la conduite dans l'orifice de retrait (E) du distributeur. Assembler les demi-raccords du flexible et de l'orifice de rétraction.

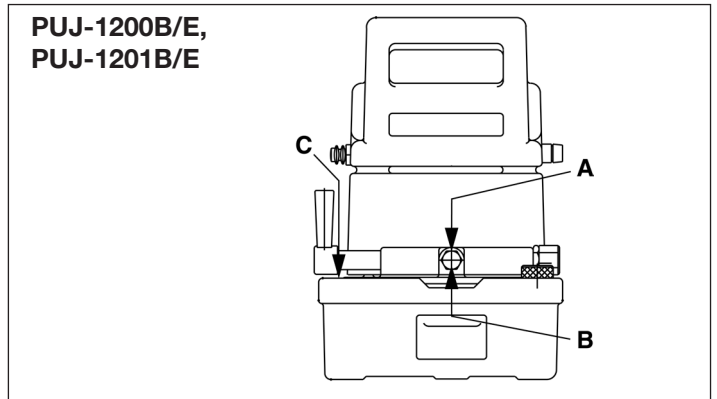


Figure 2

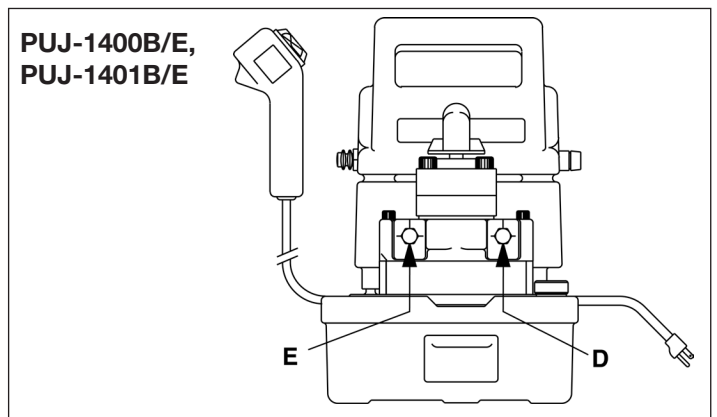


Figure 3

PUD1100B/E, PUD-1101B/E, PUD1300B/E et le modèle PUD1301B/E

1. Le flexible hydraulique d'alimentation du vérin se connecte à la sortie A du distributeur (Figure 4).
2. Dans le cas où la lecture de la pression est nécessaire, veuillez connecter un manomètre à l'aide d'un adaptateur manomètre sur la sortie A du distributeur.

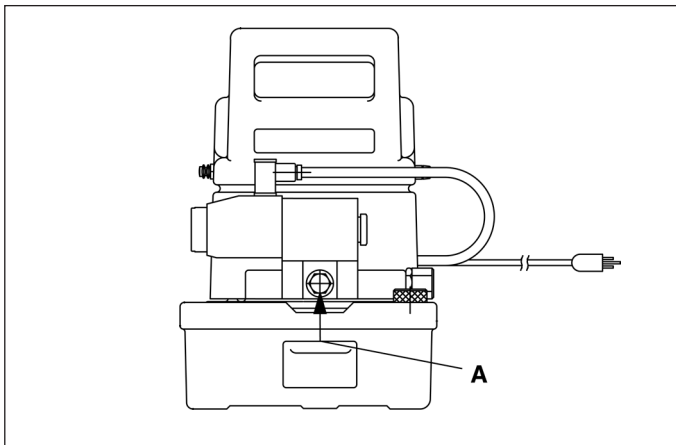


Figure 4

4.2 Sequence de Montage (Figure 5)

1. Démontez la plaque (n. 1, D43918098).
2. Montez le connecteur (n. 2) sur la pompe. Evitez tout endommagement des foins durant l'installation.

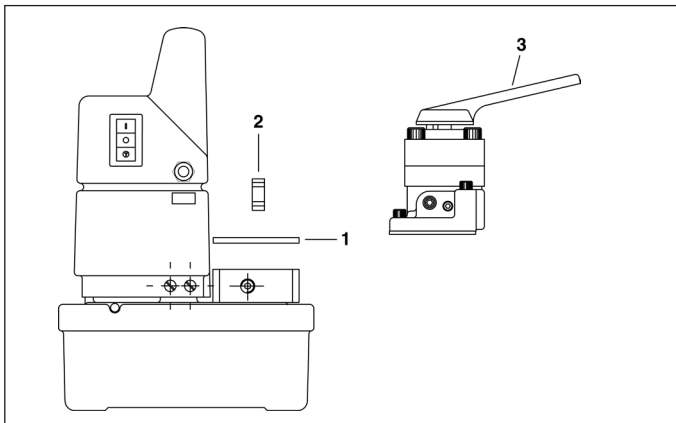


Figure 5

3. Montez la vanne (n. 3). Evitez tout endommagement des foins durant l'installation.

4.3 Appoint d'huile (Figure 6)

Vérifier le niveau d'huile. Pour ce faire, desserrer et retirer le bouchon de remplissage/aération (F). Ajouter de l'huile hydraulique Enerpac jusqu'à ce que le niveau se trouve à 1 cm au-dessous du goulot de remplissage/aération.

IMPORTANT: n'ajouter de l'huile que lorsque tous les composants du système sont rétractés, sans quoi le système contiendrait une quantité d'huile supérieure à la contenance du réservoir.

5.0 FONCTIONNEMENT

NOTE : Pour éviter les pertes de puissance entre la prise secteur et le moteur de la pompe, utiliser un prolongateur le plus court possible. Bien que le moteur fonctionne sous faible tension, le régime et le débit d'huile sont réduits.

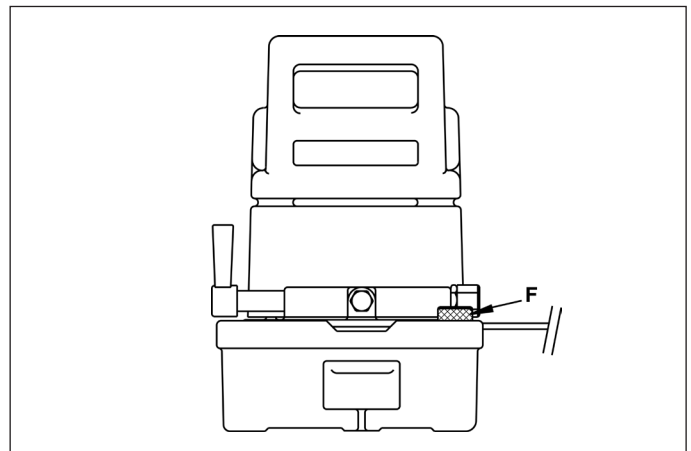


Figure 6

1. Vérifier que tous les raccords et branchements du système sont bien serrés et ne présentent pas de fuites.
2. Vérifier le niveau de fluide et faire l'appoint selon le besoin.
3. Ouvrir le bouchon reniflard (F) de la pompe, situé sur le coin avant droit du réservoir en le tournant d'un ou deux tours complets.



ATTENTION : Le bouchon reniflard doit toujours être ouvert lorsque la pompe est en marche.

5.1 Usage du commutateur (Figure 7)

La version "B" requiert un circuit monophasé de 15 A, 120 V, mis à la terre et la version "E" un circuit monophasé de 220 V. Le cordon d'alimentation de la pompe mesure 1,5 mètre.

1. Le commutateur de la pompe est placé sur le côté du capot C'est un commutateur à trois positions : la position du haut "ON" (I) met le circuit sous tension, celle du centre "OFF" (O) le met hors tension et celle du bas "MOM"(T) fait tourner le moteur momentanément. Lorsque le commutateur est en position "ON", le circuit est mis sous tension, mais le moteur reste arrêté. Le moteur est mis en marche avec l'interrupteur à gland (G).
2. Lorsque le bas du commutateur à trois positions est enfoncé le moteur tourne jusqu'à ce que le commutateur soit relâché, ce qui arrête également la pompe. Cette commande est utilisée comme alternative de l'interrupteur à gland.

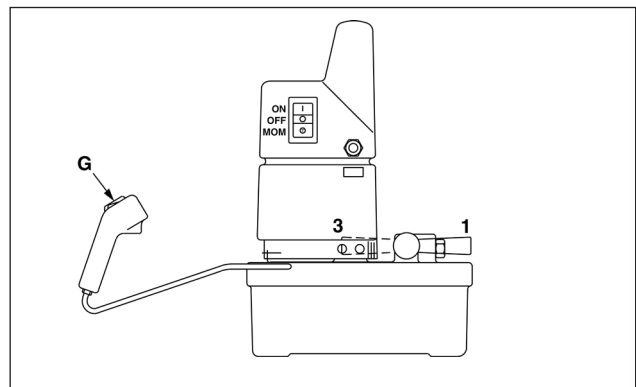


Figure 7

5.2 Vanne de commande de la pompe

Modèles PUJ-1200B/E et PUJ-1201B/E

La vanne de commande de la pompe contrôle l'extension et la rétraction des composants du système hydraulique. Ces modèles sont équipés de vannes à 3 voies et 2 positions. Les positions de la vanne sont illustrées à la figure 8: **1** - Extension **3** - Rétraction. Pour étendre le vérin, mettre la vanne en position d'extension (**1**) et appuyer sur l'interrupteur à gland. Le cylindre s'étend jusqu'à ce que l'interrupteur soit relâché. Pour rétracter le vérin, mettre la vanne en position de rétraction (3). Le vérin se rétracte, que la pompe soit en marche ou non.

Modèles PUJ-1400B/E et PUJ-1401B/E

Les vannes de commande des pompes PUJ-1400B/E et PUJ-1401B/E sont du type à 4 voies, 3 positions, pour usage avec vérins à double effet lorsque l'extension et la rétraction sont commandées hydrauliquement.

Les positions de la vanne sont illustrées à la figure 8:

1 - Extension 2 - Rétraction 3 - Neutre.

Dans chacune des positions, le mouvement du vérin est commandé par l'interrupteur à gland.

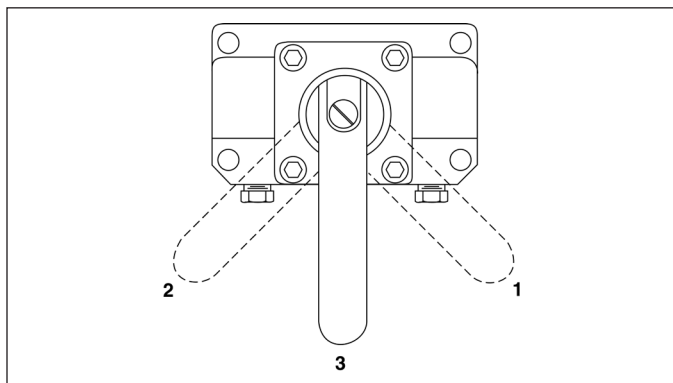


Figure 8

Modèles PUD-1100B/E et PUD-1101B/E

Les modèles PUJ-1100B/E et PUJ-1101B/E sont utilisés pour les vérins à simple effet, lorsque la fonction de maintien n'est pas nécessaire. L'interrupteur à gland commande le démarrage du moteur et l'extension du vérin. Lorsque l'interrupteur est relâché, le vérin se rétracte.

PUD1300B/E et le modèle PUD1301B/E

Dans le cas où une fonction de maintien de pression est nécessaire pour activer un vérin simple effet, il faut prendre les modèles PUD1300B/E ou PUD1301B/E. Appuyer sur le bouton avance pour démarrer la pompe et faire sortir le vérin. Quand vous relâchez le bouton avance, le vérin reste en position avec maintien de la pression. Pour faire revenir le vérin, appuyez sur le bouton retour.

NOTE : Lors de la relache du bouton avance, le mouvement du vérin ne s'arrête pas instantanément, ceci étant du à l'inertie du moteur.

5.3 Relais thermique (tous les modèles)

Pour protéger la pompe, un relais interne arrête le moteur lorsque la température de l'huile atteint 65 °C. Lorsque la température retombe au-dessous de 54 °C le relais est automatiquement réactivé.

5.4 Purge d'air

Lorsque le système hydraulique est connecté pour la première fois, de l'air est emprisonné dans les composants. Pour assurer un fonctionnement en douceur et sans danger, purger le système en étendant et rétractant plusieurs fois les vérins à vide. L'air est purgé du système dès que les vérins s'étendent et se rétractent sans hésitation.



AVERTISSEMENT: Pour éviter des blessures et des dommages à l'équipement, ne pas continuer d'appliquer la pression aux cylindres une fois qu'ils sont en bout de course ou que la pression maximum de fonctionnement est atteinte.

6.0 RÉGLAGE DE LA SOUPAPE DE SÛRETÉ

La soupape de sûreté principale est interne, non réglable et réglée en usine pour une pression maximum de fonctionnement de 700 bar. Une seconde soupape de sûreté, externe, se trouve sous un capuchon hexagonal, sur le côté droit de la pompe. Cette soupape est réglable de 700 bar à 140 bar. La pression maximum peut être réglée à moins, mais pas à plus de 700 bar. (Les modèles PUJ-1400B/E et PUJ-1401B/E ne sont pas équipés de soupapes de sûreté externes réglables.)

Réglage de la soupape de sûreté (Figure 9)

1. Installer un manomètre comme indiqué à la page 11 du manuel d'instructions.
2. Placer un bouchon sur l'orifice de sortie de la vanne.
3. Retirer le capuchon hexagonal (**H**) couvrant la vis de réglage de la soupape.
4. À l'aide d'une clé Allen, donner à la vis de réglage un tour complet vers la gauche.
5. Mettre la pompe sous tension "ON" (**I**) et faire tourner le moteur jusqu'à ce que l'aiguille du manomètre indique la pression maximum. Arrêter la pompe.
6. Continuer le réglage jusqu'à ce que la pression désirée soit obtenue.
7. Actionner plusieurs fois la pompe pour vérifier le réglage. Si l'indication du manomètre est la même chaque fois, le réglage est stable.
8. Replacer le capuchon hexagonal sur la vis de réglage.

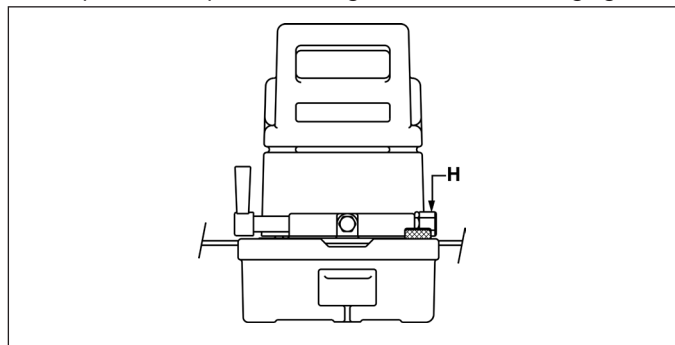


Figure 9

NOTE : Pour obtenir le réglage le plus précis possible, commencer par une pression plus basse et régler jusqu'à obtention de la pression désirée.



AVERTISSEMENT: Pour éviter des blessures et des dommages à l'équipement, ne pas essayer de dépasser la pression maximum de fonctionnement de 700 bar.

7.0 ENTRETIEN

7.1 Vérification du niveau d'huile

Vérifier le niveau du réservoir d'huile hydraulique toutes les 40 heures de fonctionnement. Si nécessaire, ajouter de l'huile jusqu'à ce que le niveau se trouve à 1 cm au-dessous du goulot de remplissage. Utiliser exclusivement de l'huile hydraulique Enerpac. L'usage d'autres huiles ou fluides peut endommager le système, ce qui annulerait la garantie Enerpac.

7.2 Vidange de l'huile (Figure 10)

Vider complètement le réservoir après 100 heures de fonctionnement. Le remplir d'huile hydraulique fraîche. Si la pompe est utilisée dans un environnement très poussiéreux, ou est exposée à des températures élevées, effectuer la vidange plus fréquemment.

1. Pour vider le réservoir, retirer le bouchon de remplissage/aération (**F**) du coin supérieur droit du réservoir.
2. Basculer la pompe jusqu'à ce que toute l'huile usagée soit vidée.
3. Remplir d'huile fraîche par le même trou. La contenance du réservoir est de 2,8 l ou 5,7 l, suivant le modèle.
4. Replacer le bouchon de remplissage (**F**).

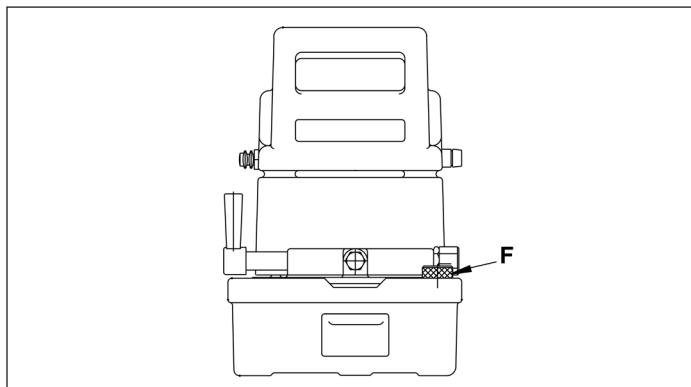


Figure 10

7.3 Nettoyage du réservoir

Le réservoir de la pompe peut être retiré aux fins de nettoyage. Si la pompe est constamment utilisée dans un environnement extrêmement poussiéreux, le réservoir doit être nettoyé une fois par an.

1. Vider le réservoir comme expliqué aux étapes 1 et 2 du paragraphe "Vidange de l'huile".
2. Retirer les six vis fixant le capot sur le réservoir. Retirer le capot du réservoir. Le moteur est entouré d'un coussin de mousse destiné à tenir les fils à l'écart du moteur. Veiller à ne pas endommager ou débrancher les fils.
3. Retirer les huit vis fixant la pompe sur le réservoir. Retirer la pompe du réservoir et enlever le joint.
4. Nettoyer soigneusement le réservoir avec un solvant approprié.
5. Remonter la pompe et le réservoir, avec un joint neuf. Replacer le capot sur le moteur, sa poignée du côté soupape de la pompe. Replacer les six vis de montage et les rondelles de blocage intérieures/extérieures.

Si la pompe doit être réparée, contacter un centre de dépannage Enerpac local agréé.

7.4 Brosses du moteur

Vérifier les brosses du moteur électrique une fois tous les deux ans minimum. Pour les pompes sur des applications fréquemment utilisées, vérifier les brosses une fois tous les six mois minimum.



DANGER : pour éviter les risques d'électrocution, débrancher complètement la pompe de toute source électrique avant d'effectuer l'entretien des brosses.

8.0 DÉPANNAGE (Voir le Tableau)

Le Tableau de dépannage sert de guide pour vous aider à diagnostiquer et corriger divers problèmes de pompe éventuels.

Seuls les techniciens hydrauliques agréés doivent dépanner et réparer la pompe. Pour obtenir un service de réparation, contacter le Centre de service Enerpac agréé de votre région.

8.1 Disjoncteur (Pompe avec code de date « F » et ultérieur)

En cas de surcharge électrique, le disjoncteur de pompe se déclenchera. Après avoir recherché et corrigé la source de la surcharge, enfoncer le bouton du disjoncteur pour réinitialiser.

8.2 Fusibles (Pompes avec code de date « F » et ultérieur)

Des fusibles internes protègent les circuits primaire et secondaire du transformateur de contrôle. Si un fusible venait à griller, rechercher et corriger la raison de la défaillance. Puis, remplacer le fusible grillé par un nouveau fusible de calibre approprié. Pour connaître les calibres de fusible, consulter la fiche des pièces de rechange de votre modèle de pompe.



ATTENTION : toujours débrancher le courant électrique avant de remplacer les fusibles.

9.0 NORMES DE TEST

9.1 Canadian Standards Association (CSA)

Lorsque cela est requis, les ensembles de pompe répondent aux critères de conception et de test de la CSA, la Canadian Standards Association (se reporter à CAN/CSA — C22.2 N° 68-92, Appareils à moteur).

9.2 Conformité Européenne (CE)

Lorsque cela est requis, une déclaration de conformité CE et le label CE du produit est fourni(e). Ces produits sont conformes aux normes européennes EN982:1996, EN1050:1998 et EN-ISO-12100-1&2:2003, et aux directives EC Directives 2006/42/EC, 97/23/EC, 2004/108/EC, 2006/95/EC et 97/23/EC.

TABLEAU DE DEPANNAGE

Problème	Cause possible	Solution
La pompe ne démarre pas.	Pas d'alimentation électrique. Tension incorrecte.	Vérifier la source d'alimentation électrique. Consulter les spécifications de tension à la page 9.
Le vérin ne s'étend ou ne se rétracte pas.	Niveau de liquide insuffisant. Tamis d'admission colmaté. Vanne en position incorrecte. Vanne défectueuse.	Remplir le réservoir au niveau correct. Nettoyer ou remplacer les tamis d'admission. Mettre la vanne en position de pression. Faire réparer la pompe par un technicien hydraulique qualifié.
Le vérin s'étend ou se rétracte par à-coups.	Air dans le système. Fuite externe du système. Fuite hydraulique interne.	Purger l'air du système en ouvrant et refermant l'outil, jusqu'à ce qu'il fonctionne sans à coups. Serrer les branchements qui fuient. Remplacer tout flexible ou raccord endommagé. Faire réparer la pompe par un technicien hydraulique qualifié.
La pompe ne maintient pas la pression.	Fuite hydraulique externe. Fuite hydraulique interne.	Serrer les branchements qui fuient. Remplacer tout flexible ou raccord endommagé. Faire réparer la pompe par un technicien hydraulique qualifié.
Faible débit de fluide.	Niveau de fluide insuffisant. Fuite de composants de la pompe. Mauvais fonctionnement de la vanne de dérivation. Les tamis d'admission de fluide sur les blocs de piston peuvent être colmatés par des débris.	Remplir le réservoir au niveau correct. Tester pour localiser les fuites. Faire réparer la pompe par un technicien hydraulique qualifié. Inspecter les tamis d'admission. Rincer tous les composants. Remplacer tout composant endommagé.

L2062 Rev. I 02/21

DE

1.0 WICHTIGE VERFAHRENSHINWEISE FÜR DEN EMPFANG:

Alle Komponenten auf sichtbare Transportschäden inspizieren. Transportschäden sind **nicht** von der Garantie gedeckt. Werden solche Schäden festgestellt, ist unverzüglich das Transportunternehmen zu verständigen. Das Transportunternehmen ist für alle Reparatur- und Ersatzkosten, die auf Transportschäden zurückzuführen sind, verantwortlich.

SICHERHEIT GEHT VOR

2.0 SICHERHEITSFRAGEN



Alle Anleitungen, Warnungen und Vorsichtshinweise sorgfältig durchlesen. Beachten Sie alle Sicherheitsvorkehrungen, um Verletzungen oder

Sachschäden während des Systembetriebs zu vermeiden. Enerpac ist weder für Schäden noch Verletzungen haftbar, die durch einen fahrlässigen Gebrauch des Produkts, mangelhafte Instandhaltung oder eine unvorschriftsmäßige Anwendung des Produkts und/oder des Systems verursacht werden. Bei evtl. Fragen in bezug auf Sicherheitsvorkehrungen und Betriebsabläufe wenden Sie sich bitte an ENERPAC. Sollten Sie mit der Sicherheit bezüglich Hochdruckhydraulik nicht vertraut sein, erhalten Sie bei Ihrem Vertriebs- oder Servicecenter Informationen zu einem Enerpac Hydraulik-Sicherheitskurs.

Ein Mißachten der folgenden Vorsichtshinweise und Warnungen kann zu Geräteschäden und Verletzungen führen.

Mit einem **VORSICHTSHINWEIS** wird auf ordnungsgemäße Betriebs- oder Wartungsverfahren und -praktiken hingewiesen, um Schäden an den Geräten oder anderen Sachwerten bzw. deren Zerstörung zu vermeiden.

Eine **WARNUNG** verweist auf eine potentielle Verletzungsgefahr, die durch ordnungsgemäße Verfahren oder Praktiken vermieden werden kann.

Ein **GEFAHRENSHINWEIS** wird nur dann gegeben, wenn eine bestimmte Handlung oder die Unterlassung einer bestimmten Handlung schwere oder tödliche Verletzungen zur Folge haben kann.



WARNUNG: Beim Betrieb hydraulischer Anlagen geeignete Schutzkleidung und -ausrüstung tragen.



WARNUNG: Von Lasten fernhalten, die durch ein Hydrauliksystem abgestützt werden. Ein als Lastenhebergerät eingesetzter Zylinder darf niemals als ein Lastenhaltergerät verwendet werden. Nach Heben oder Senken der Last muß diese stets auf mechanische Weise gesichert werden.



WARNUNG ZUM SICHERN VON LASTEN STETS NUR STARRE TEILE VERWENDEN. Zum Abstützen von Lasten sorgfältig dazu geeignete Stahl- oder Holzblöcke auswählen. Bei Hebe- oder Drückanwendungen keinesfalls einen Hydraulikzylinder als Abstandsstück oder -halter verwenden.



GEFAHR: Zur Vermeidung von Verletzungen während des Betriebs Hände und Füße von Zylinder und Werkstück fernhalten.



WARNUNG: Die zugelassene Nennleistung der Geräte nicht überschreiten. Keine Last zu heben versuchen, deren Gewicht das Hebevermögen des Zylinders übersteigt. Überlasten verursachen Maschinenausfälle und können zu Verletzungen führen. Die Zylinder wurden für einen max. Druck von 700 bar konstruiert. Keinen Heber oder Zylinder an eine Pumpe mit einer höheren nominalen Druckleistung anschließen.



Das Überdruckventil **keinesfalls** auf einen höheren Druck als den maximal zulässigen Druck der Pumpe einstellen. Höhere Einstellungen können zu Geräteschäden und/oder Verletzungen führen.



WARNUNG: Der Systembetriebsdruck darf den zulässigen Nominaldruck der Systemkomponente mit der niedrigsten Nennleistung nicht überschreiten. Zur Überwachung des Betriebsdrucks sind Manometer im System zu installieren. Dies ist das Fenster zu den Abläufen im System.



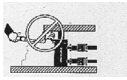
VORSICHT: Beschädigungen am Hydraulikschlauch vermeiden. Beim Verlegen der Hydraulikschläuche enge Bögen und Abknicken vermeiden. Der Einsatz eines gebogenen oder geknickten Schlauchs führt zu einem hohen Rückstau. Starke Biegungen und Knickstellen schädigen den Schlauch auf der Innenseite und führen zu dessen vorzeitigem Ausfall.



Keine schweren Gegenstände auf den Schlauch fallen lassen. Starke Erschütterungen können Schäden an den im Schlauchinnern verlaufenden Drahtlitzen verursachen. Ein Schlauch, auf den Druck ausgeübt wird, kann bersten.



WICHTIG: Hydraulische Geräte weder an den Schläuchen noch den Gelenkanschlüssen anheben. Dazu den Tragegriff oder eine andere sichere Transportmethode verwenden.



VORSICHT: Hydraulische Geräte von Flammen und Hitzequellen fernhalten. Zu hohe Temperaturen weichen Füllungen und Dichtungen auf und bewirken

Flüssigkeitslecks. Große Hitze schwächt außerdem die Schlauchmaterialien und -dichtungen. Zur Gewährleistung einer optimalen Leistung darf die Anlage keinen Temperaturen über 65°C ausgesetzt werden. Außerdem müssen Schläuche und Zylinder beim Schweißen vor Funkenschlag geschützt werden.



GEFAHR: Nicht mit unter Druck stehenden Schläuchen hantieren. Unter Druck austretendes Öl kann in die Haut eindringen und schwere Verletzungen verursachen. Falls Öl unter die Haut gelangt, ist sofort ein Arzt aufzusuchen.



WARNUNG: In einem gekoppelten System dürfen nur Hydraulikzylinder verwendet werden. Niemals einen Zylinder mit unverbundenen Kupplungen verwenden. Bei einer extremen Überlastung des Zylinders können dessen Komponenten einen Sprungvollausschlag erleiden, was schwere Verletzungen hervorrufen kann.



WARNUNG: Sicherstellen, dass die Anlage stabilisiert, bevor eine Last angehoben wird. Der Zylinder sollte auf einer ebenen Oberfläche aufsitzen, die fest genug ist, um die Last abzustützen. Wenn möglich einen Zylinderfuß verwenden, um größere Stabilität zu gewährleisten. Keine Schweißarbeiten oder andere Änderungen am Zylinder vornehmen, um einen Zylinderfuß oder andere Abstützungen anzubringen.



Situationen vermeiden, in denen die Lasten nicht direkt über dem Kolben des Zylinders ausgerichtet sind. Seitlich versetzte Lasten führen zu erheblicher Belastung der Zylinder und Kolben. Außerdem könnte die Last ins Rutschen geraten oder fallen, was zu äußerst gefährlichen Situationen führen kann.



Die Last gleichmäßig über die gesamte Fläche des Druckstückes verteilen. Den Kolben immer mit einem Druckstück schützen, wenn keine Zusatzgeräte mit Gewinde benutzt werden.



ENERPAC WICHTIG: Hydraulische Geräte müssen von einem qualifizierten Hydrauliktechniker gewartet werden. Bei Reparaturarbeiten an die autorisierte ENERPAC-Kundendienstzentrale der jeweiligen Region wenden. Zur Aufrechterhaltung der Garantie nur ENERPAC-Öl verwenden.



WARNUNG: Abgenutzte oder beschädigte Teile unverzüglich durch ENERPAC-Originalteile ersetzen. Standardteile anderer Hersteller versagen und verursachen Verletzungen und Sachschäden. ENERPAC-Teile werden so konstruiert, daß sie richtig passen und hohen Lasten standhalten.



VORSICHT: Prüfen Sie die technischen Daten und Angaben auf dem Motorschild. Der Anschluß an eine ungeeignete Stromquelle führt zu Motorschaden.

3.0 Technische Daten

	“B”-Modelle	“E”-Modelle
Betriebsdruck	0 - 700 bar	
Elektrische Anschlußwerte	15 A, 120 V, geerdet, einphasig, 50/60 Hz	10 A, 220 V, einphasig, 50/60 Hz
Motornennleistung	0,37 kW Universalmotor, 9 A bei 700 bar und 12.000 U/min, Betrieb bei 60 - 125 V, 85 - 89 dBA	0,37 kW Universalmotor, 4 A bei 700 bar und 12.000 U/min, 85 - 89 dBA
Fördermenge	3,3 l/min bei 0 bar bis 14 bar, und 0,33 l/min bei 700 bar	
Max. Betriebstemperatur	65 °C	

Modellnr.	Verwendeter Zylinder	Ventiltyp	Nutzbares Ölfassungsvermögen	Gewicht
PUD-1100B/E	einfachwirkend	Ablaßventil	2,00 l	14 kg
PUD-1101B/E			3,79 l	20 kg
PUD-1300B/E	einfachwirkend	Schnellablass / Druckhaltung	2,00 l	14 kg
PUD-1301B/E			2,00 l	20 kg
PUJ-1200B/E	einfachwirkend	3-Wege, 2 Stellungen	2,00 l	12 kg
PUJ-1201B/E			3,79 l	18 kg
PUJ-1400B/E	doppeltwirkend	4-Wege, 3 Stellungen	2,00 l	15 kg
PUJ-1401B/E			3,79 l	20 kg

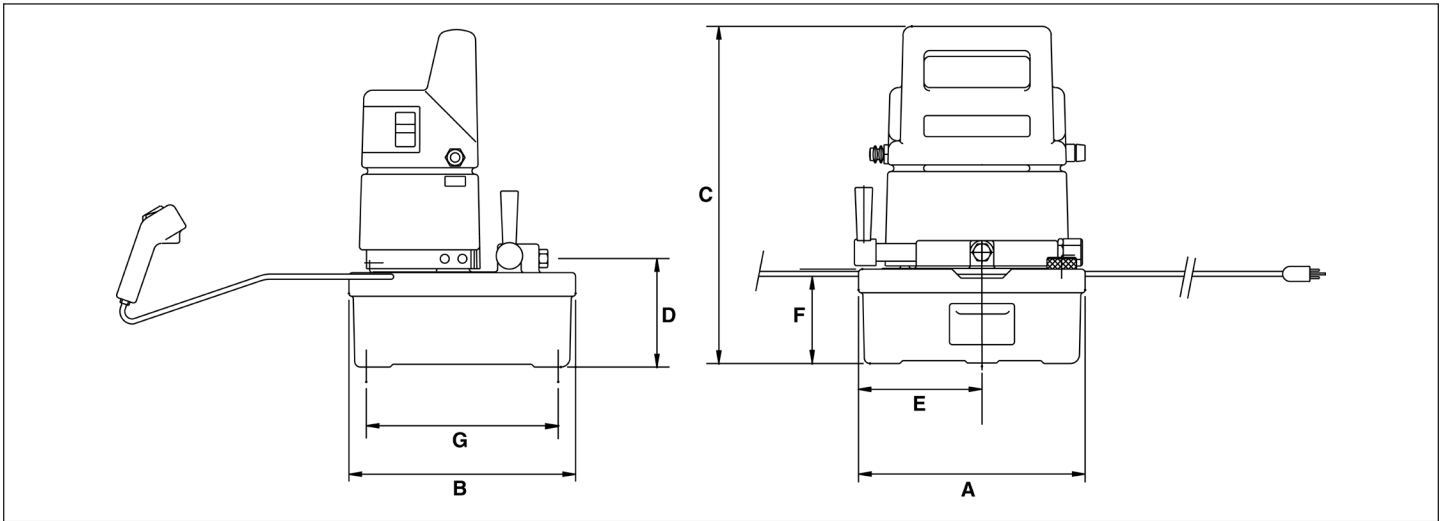


Abbildung 1

Abmessungen cm								
Modelle	A	B	C	D	E	F	G	H
PUD-1100B/E, PUD-1300B/E, PUJ-1200B/E, PUJ-1400B/E	24,43	24,43	36,20	11,99	13,34	10,16	20,62	1,90
PUD-1101B/E, PUD-1301B/E, PUJ-1201B/E, PUJ-1401B/E	30,94	36,83	10,54	13,00	14,27	10,54	32,43	1,57

*Die Abmessung "D" beträgt 15,7 cm an Model PUJ-1400B/E und 16,7 cm an Modell PUJ-1401B/E.

4.0 INSTALLATION

4.1 Hydraulikanschlüsse

Alle Gewinde 1 1/2-mal mit Teflon-Band (oder einer geeigneten Gewindedichtung) umwickeln, dabei den ersten kompletten Gewingegang freilassen, um zu vermeiden, daß Teile des Bands in das Hydrauliksystem gelangen, und Schaden verursachen. Lose Enden abschneiden.



VORSICHT: Um ordnungsgemäßen Betrieb zu gewährleisten, darauf achten, daß Schläuche nicht geknickt oder stark gebogen werden. Wenn ein Schlauch Knicke oder sonstige Schäden aufweist, muß er ausgetauscht werden. Ein beschädigter Schlauch kann bei hohem Druck reißen und Verletzungen verursachen.

Modelle PUJ-1200B/E, PUJ-1201B/E

1. Den Transportstöpsel aus dem 1/4"-18 NPTF Manometeranschluß (A) oberhalb des Steuerventils entfernen.
2. Ein 1035 bar Manometer im Manometeranschluß (A) installieren.
3. Falls benötigt, schließen Sie einen Hydraulikschlauch am Ventilausgang B an.
4. Einen Schlauch in den Tankrücklaufanschluß (C) einschrauben, um eine Rückleitung anzuschließen.

Modelle PUJ-1400B/E, PUJ-1401B/E

1. Den Transportstöpsel aus dem Ventilausfahranschluß (D) entfernen. Einen 1035 bar Manometeradapter im 3/8"-18 NPTF Ausfahranschluß (D) installieren.
2. Ein 1035 bar Manometer im oberen Anschluß des Manometeradapters installieren.
3. Schließen Sie einen Hydraulikschlauch am Adapterende des Manometerausgangs (3/8"-18 NPTF) an. Eine Kupplungshälfte des Schlauchs mit der Kupplungshälfte des Zylinderausfahranschlusses verbinden. Den Kupplungsbund von Hand fest anziehen. Zum Festziehen der beiden Kupplungshälften KEINE Werkzeuge verwenden.

4. Bei einem Kreislauf mit doppelwirkendem Zylinder bringen Sie den Schlauch am Rückfahranschluß (E) des Steuerventils an. Die Kupplungshälfte des Schlauchs mit der Kupplungshälfte des Zylindereinfahranschlusses verbinden.

PUJ-1200B/E, PUJ-1201B/E

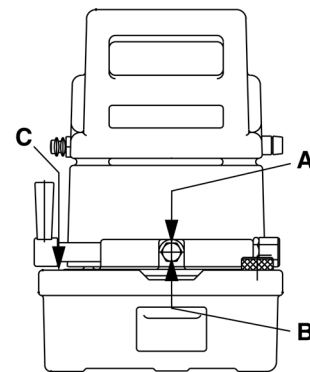


Abbildung 2

PUJ-1400B/E, PUJ-1401B/E

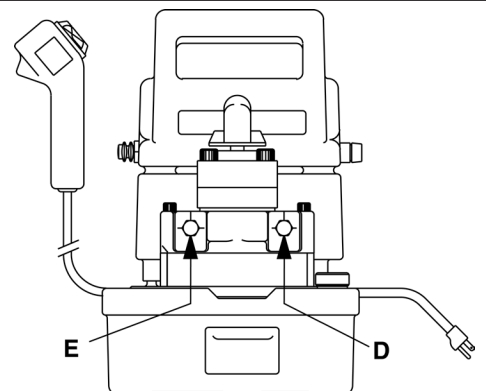


Abbildung 3

PUD1100B/E, PUD-1101B/E, PUD1300B/E und PUD1301B/E Modelle

1. Die Schlauchleitung, die die Pumpe mit dem Zylinder verbindet, wird direkt in den Oelanschluss A am Betaetigungsventil eingeschraubt (siehe Abb. 4).
2. Falls Sie den Druck im Hydrauliksystem ueberwachen wollen, muessen Sie einen Manometer-Adapter in den Oelanschluss A einschrauben. Anschliessend schrauben Sie ein 0-10.000 psi (0-700 bar) Manometer in den Manometer-Anschluss des Adapters ein.

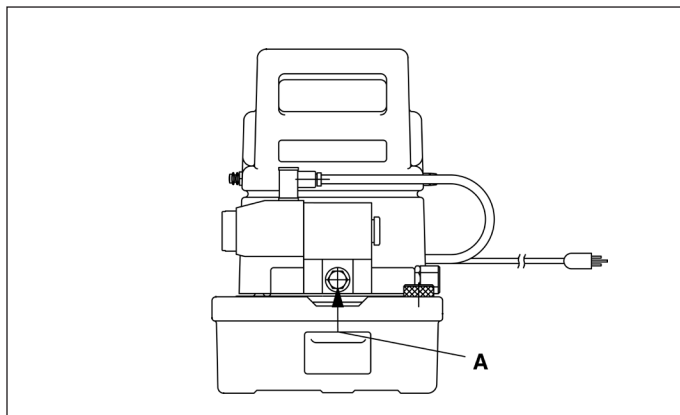


Abbildung 4

4.2 Montageanleitung (Abbildung 5)

1. Entternen Sie die Grundplatte (n. 1, D43918098)
2. Montieren Sie den Verbindungsrippe in die Pumpe (n. 2). Vermeiden Sie das absheren der Dichtungen.

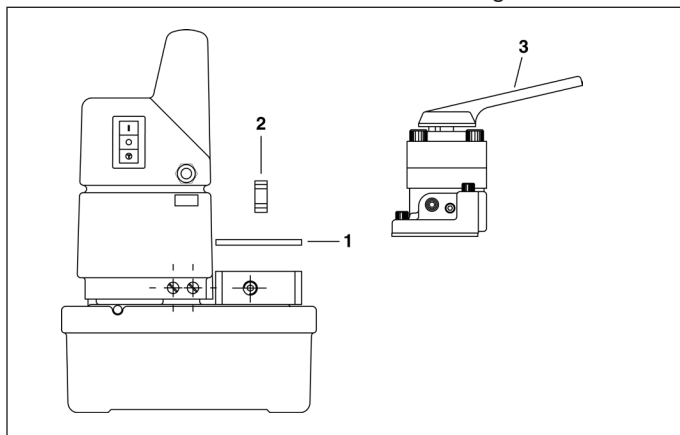


Abbildung 5

3. Montieren Sie das Ventil (n. 3). Vermeiden Sie das absheren der Dichtungen.

4.3 Nachfüllen von Öl (Abbildung 6)

Zur Prüfung des Ölstands den Stöpsel der Entlüftungs-/Einfüllöffnung (F) abschrauben. Enerpac Hydrauliköl nachfüllen, bis der Ölspiegel 1 cm unterhalb der Entlüftungs-/Einfüllöffnung liegt.

WICHTIG: Nur dann Öl nachfüllen, wenn alle Systemkomponenten vollständig eingefahren sind, da sich sonst im System mehr Öl befindet, als der Tank aufnehmen kann.

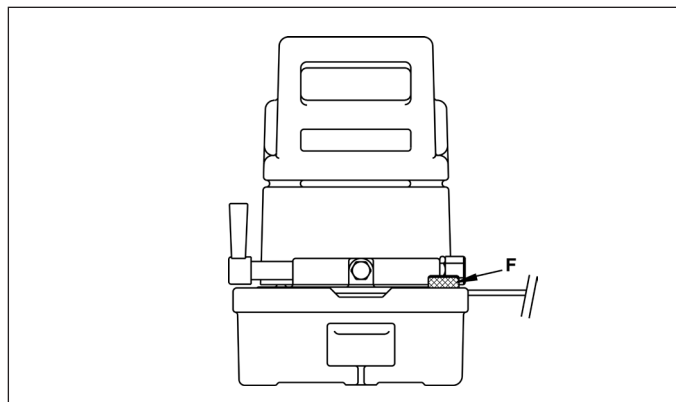


Abbildung 6

5.0 BETRIEB

HINWEIS: Um keinen Leistungsverlust zwischen der elektrischen Steckdose und dem Pumpenmotor einzubüßen, ein möglichst kurzes Verlängerungskabel verwenden. Der Pumpenmotor funktioniert bei niedriger Spannung, jedoch sind die Motordrehzahl und Ölfördermenge gering.

1. Alle Systemverbindungen und -anschlüsse auf festen und leckfreien Sitz überprüfen.
2. Den Flüssigkeitsstand überprüfen und ggf. Flüssigkeit nachfüllen.
3. Den Pumpenentlüftungsdeckel (F) in der vorderen, rechten Ecke des Tanks mit ein bis zwei vollständigen Umdrehungen öffnen.



VORSICHT: Wenn die Pumpe läuft, muß die Entlüftungsöffnung offen sein.

5.1 Schalterbedienung (Abbildung 7)

Die "B"-Version erfordert eine geerdete, einphasige 15 A, 120 V Schaltung. Für die "E"-Version sind 220 V, einphasig, erforderlich. Das Netzkabel der Pumpe ist 1,5 m lang.

1. Der Pumpenschalter befindet sich seitlich an der Schutzhaube. Er ist als Dreiwegeschalter ausgelegt: der obere Anschlag ist für "ON" (I), der mittlere für "OFF" (O) und der untere für Momentankontakt "MOM" (T) vorgesehen.
2. Bei Drücken auf die obere Stellung "ON" (I) wird die elektrische Schaltung aktiviert, nicht jedoch der Pumpenmotor. Der Pumpenmotor wird über die Fernbedienung (G) eingeschaltet. Er läuft, so lange der untere Teil des Schalters gedrückt gehalten wird. Bei Loslassen des Schalters stellt sich die Pumpe ab. Diese Momentanschalt-erstellung kann anstelle der Fernbedienung verwendet werden.

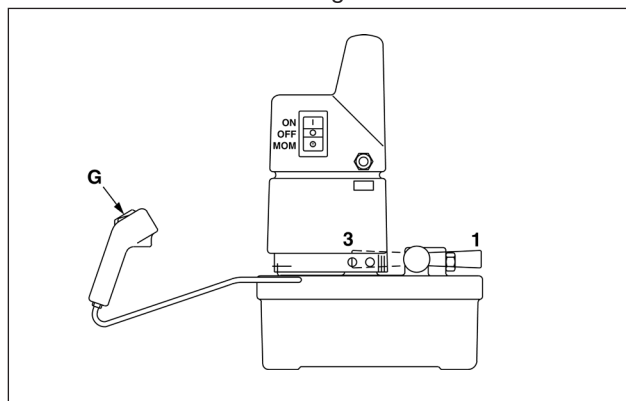


Abbildung 7

5.2 Pumpensteuerventil (Abbildung 8)

Modelle PUJ-1200B/E, PUJ-1201B/E

Das Pumpensteuerventil steuert die Zufuhr, bzw. den Rücklauf der hydraulischen Flüssigkeit zu, bzw. von den Hydrauliksystemkomponenten. Diese Modelle verfügen über Dreiwegeventile mit jeweils zwei Stellungen. Die Ventilstellungen sind in Abbildung 8 dargestellt: 1 - Ausfahren 3 - Einfahren.

Zum Ausfahren des Zylinders das Ventil auf die Ausfahrposition (1) stellen und den Fernbedienungsschalter drücken. Der Zylinder fährt so lange aus, bis die Fernbedienung losgelassen wird. Zum Einfahren des Zylinders das Ventil auf die Einfahrstellung (3) stellen. Der Zylinder wird sowohl bei laufender als auch bei abgestellter Pumpe eingefahren.

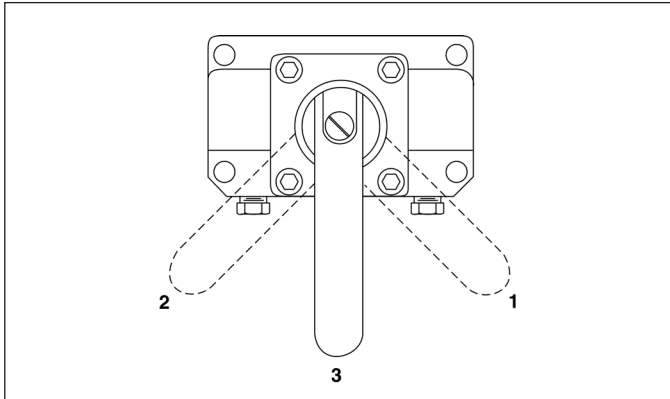


Abbildung 8

Modelle PUJ-1400B/E, PUJ-1401B/E

Die Pumpenmodelle PUJ-1400B/E und PUJ-1401B/E verfügen über Vierwegeventile mit jeweils drei Positionen zum Einsatz mit doppeltwirkenden Zylindern, deren Aus- und Einfahrbewegung hydraulisch aktiviert wird. Die Ventilstellungen sind in Abbildung 8 dargestellt: 1 - Ausfahren 2 - Einfahren 3 - Leerlauf

Die Zylinderbewegung wird in allen Stellungen über den Fernbedienungsschalter gesteuert.

Modelle PUD-1100B/E, PUD-1101B/E

Die Modelle PUD-1100B/E und PUD-1101B/E betreiben einfachwirkende Zylinder, wenn keine Haltefunktion notwendig ist. Drücken des Fernbedienungsschalters startet den Motor und fährt den Zylinder aus. Bei Loslassen des Schalters wird der Zylinder eingefahren.

PUD1300B/E und PUD1301B/E Modelle

Die PUD1300B/E und PUD1301B/E Pumpen bedienen einfachwirkende Zylinder, bei denen eine Druckhalte-Funktion erforderlich ist. Drücken Sie den Ausfahr-Knopf, um die Pumpe zu starten und den Zylinder auszufahren. Sobald Sie den Ausfahr-Knopf loslassen stoppt die Pumpe und der Zylinder haelt den gegenwaertigen Innendruck in Zusammenwirken mit dem Ventil. Durch Druecken des Einfahr-Knopfes oeffnen Sie das Ventil und der Zylinder faehrt wieder ein.

BEACHT: Nach dem Loslassen des Ausfahr-Knopfes hat der Motor eine gewisse Nachlaufzeit, abhaengig von dem entgegenwirkenden Druck im Hydrauliksystem. Aufgrund dieser Tatsache wird die Zylinderbewegung nicht unmittelbar mit Loslassen des Ausfahr-Knopfes gestoppt. Vielmehr wird der Zylinder noch ein kleines Stueck weiter ausfahren, bis der Motor voellig zum Stillstand gekommen ist.

5.3 Thermorelais (alle Modelle)

Um die Pumpe vor Beschädigung zu schützen, schaltet ein interner Relaisschalter den Motor ab, sobald die Öltemperatur 65 °C erreicht. Wenn die Temperatur auf 54 °C absinkt, setzt sich das Relais automatisch zurück.

5.4 Entlüftung

Beim ersten Anschließen des Hydrauliksystems wird Luft in den Komponenten eingeschlossen. Um einen reibungslosen, sicheren Betrieb zu gewährleisten, muß das System entlüftet werden. Hierzu mehrere Betriebszyklen ohne Belastung der Zylinder durchlaufen. Wenn die Zylinder reibungslos aus- und einfahren, ist das System entlüftet.



VORSICHT: Um Verletzungen und Geräteschaden zu vermeiden, dürfen Zylinder nach Erreichen des maximalen Fahrwegs bzw. des maximalen Betriebsdrucks nicht weiter unter Druck gesetzt werden.

6.0 EINSTELLUNGSBEREICH DES DRUCKENTLASTUNGSVENTILS

Das Hauptdruckentlastungsventil befindet sich im Inneren der Pumpe und ist nicht einstellbar. Es ist werkseitig auf einen maximalen Betriebsdruck von 700 bar eingestellt. Ein weiteres Druckentlastungsventil befindet sich unter einer Sechskantkappe rechts an der Pumpe. Das externe Druckentlastungsventil ist zwischen 700 bar und 140 bar einstellbar. Der Grenzwert für den Betriebsdruck kann niedriger als 700 bar, jedoch niemals höher als 700 bar liegen. (Die Modelle PUJ-1400B/E und PUJ-1401B/E sind nicht mit einem externen einstellbaren Druckentlastungsventil ausgestattet.)

6.1 Ändern der Einstellung des Druckentlastungsventils (Abbildung 9)

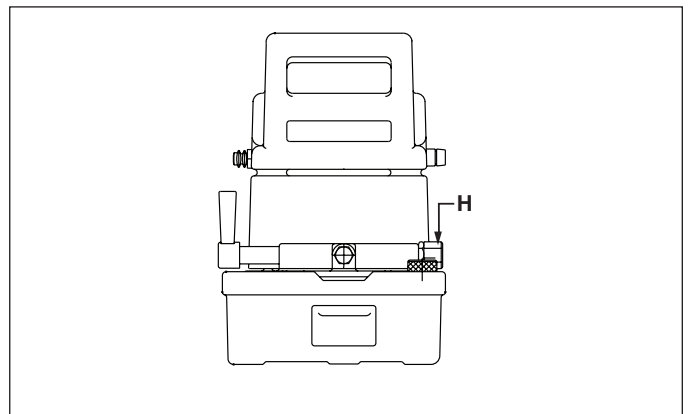


Abbildung 9

1. Ein Manometer gemäß den Installationsanweisungen auf Seite 18 installieren.
2. Einen Stöpsel in die Ventilauslaßöffnung einsetzen.
3. Die Sechskantkappe (**H**) über der Justierschraube des Druckentlastungsventils abschrauben.
4. Die Justierschraube mit einem Sechskant-Stiftschlüssel eine volle Umdrehung nach linksdrehen.
5. Die Pumpe einschalten und den Pumpenmotor laufen lassen, bis das Manometer den maximalen Druck anzeigt. Die Pumpe abstellen.

6. Weitere Nachstellungen vornehmen, bis der gewünschte Druck erreicht ist.
7. Die Pumpe mehrmals laufen lassen, und die Einstellung überprüfen. Wenn das Manometer jedesmal den gleichen Wert anzeigt, ist die Ventileinstellung stabil.
8. Die Sechskantkappe zur Abdeckung der Justierschraube wieder aufschrauben.

HINWEIS: Um das Druckentlastungsventil so präzise wie möglich einzustellen, mit einem niedrigeren Druck beginnen und den Druck nach und nach erhöhen, bis die gewünschte Einstellung erreicht ist.



VORSICHT: Um Geräteschaden und Verletzungen zu vermeiden, darf der maximale Betriebsdruck von 700 bar nicht überschritten werden.

7.0 INSTANDHALTUNG

7.1 Überprüfung des Ölstands Den Ölstand des Hydrauliköltanks nach jeweils 40 Betriebsstunden prüfen. Falls erforderlich, Öl bis 1 cm unterhalb der Einfüllöffnung nachfüllen. Nur Enerpac Hydrauliköl verwenden. Die Verwendung anderer Öle oder Flüssigkeiten kann das System beschädigen, und die Garantieansprüche ungültig machen.

7.2 Ölwechsel (Abbildung 10)

Das gesamte Öl nach jeweils 100 Betriebsstunden ablassen. Mit neuem Hydrauliköl nachfüllen. Wenn die Pumpe in einer sehr staubigen Umgebung oder bei hohen Temperaturen betrieben wird, muß das Öl häufiger abgelassen und ausgetauscht werden.

1. Um den Tank zu entleeren, den Entlüftungs-/Einfüllstöpsel (F) oben rechts am Tank abschrauben.
2. Die Pumpe kippen, bis das gesamte Altöl abgelaufen ist.
3. Frisches Öl durch dieselbe Öffnung nachfüllen. Die Füllmenge des Tanks beträgt je nach Modell 2,8 oder 5,7 l.
4. Den Einfüllstöpsel (F) wieder aufschrauben.

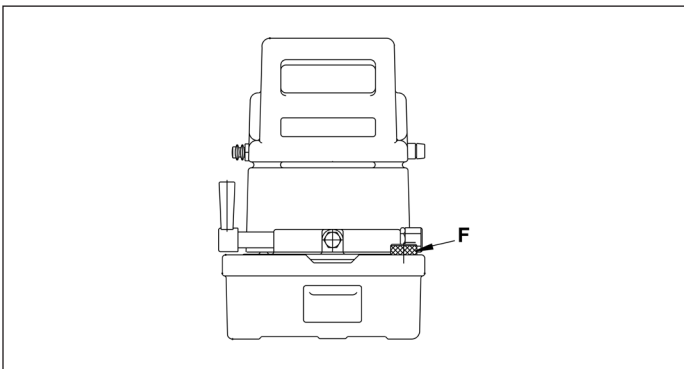


Abbildung 10

7.3 Reinigen des Tanks

Der Pumpentank kann zur Reinigung herausgenommen werden. Wenn die Pumpe ständig in einer extrem staubigen Umgebung verwendet wird, sollte der Tank einmal pro Jahr gereinigt werden.

1. Das Öl gemäß Schritt 1 und 2 unter "Ölwechsel" aus dem Tank ablassen.
2. Die sechs Schrauben entfernen, mit denen die Schutzhaube am Tank befestigt ist. Die Schutzhaube abheben. Der Motor ist mit einem Schaumpolster umwickelt, um die elektrischen Drähte vom Motor fernzuhalten. Vorsichtig vorgehen, damit die Drähte nicht beschädigt oder Anschlußklemmen herausgezogen werden.

3. Die acht Schrauben lösen, mit denen die Pumpe am Tank befestigt ist. Die Pumpe vom Tank wegheben und die Dichtung abnehmen.
4. Den Tank gründlich mit einem geeigneten Reinigungsmittel reinigen.
5. Die Pumpe und den Tank wieder zusammenbauen und eine neue Dichtung einsetzen. Die Schutzhaube so über den Motor positionieren, daß der Griff der Schutzhaube zur Ventilseite der Pumpe zeigt. Die sechs Befestigungsschrauben und die internen/externen Sicherungsscheiben wieder anbringen.

Wenn die Pumpe repariert werden muß, wenden Sie sich an das für Sie zuständige autorisierte Enerpac Service-Center.

7.4 Motorbürsten

Überprüfen Sie die Elektromotorbürsten mindestens einmal alle zwei Jahre. Überprüfen Sie bei Anwendungen mit starker Nutzung die Bürsten mindestens einmal alle sechs Monate.



GEFAHR: Um Stromschläge zu vermeiden, muss die Pumpe vollständig vom Stromnetz getrennt werden, bevor Reparaturarbeiten durchgeführt werden.

8.0 FEHLERBEHEBUNG (SIEHE TABELLE)

Die Fehlerbehebungstabelle ist als Leitfaden gedacht, um Ihnen bei der Diagnose und Behebung verschiedener möglicher Pumpenprobleme zu helfen.

Die Pumpe sollte nur von qualifizierten Hydrauliktechnikern repariert und gewartet werden. Wenden Sie sich für die Reparatur an das autorisierte Enerpac-Servicecenter in Ihrer Region.

8.1 Lasttrennschalter (Pumpen mit Datumcode „F“ und später)

Bei elektrischer Überlast löst der Lasttrennschalter der Pumpe aus. Nach Untersuchung und Behebung der Ursache der Überlast, drücken Sie den Lasttrennschalter, um ihn zurückzusetzen.

8.2 Sicherungen (Pumpen mit Datumcode „F“ und später)

Interne Sicherungen schützen die Primär- und Sekundärschaltkreise des Steuerungstransformators. Wenn eine Sicherung durchbrennt, untersuchen und beheben Sie die Ursache. Ersetzen Sie dann die durchgebrannte Sicherung durch eine neue Sicherung mit der richtigen Nennleistung. Sicherungsnennleistungen finden Sie im Reparaturteileblatt für Ihr Pumpenmodell.



WARNUNG: Trennen Sie vor Austausch der Sicherung das Gerät immer vom Strom.

9.0 TESTSTANDARDS

9.1 Canadian Standards Association (CSA)

Wenn angegeben, erfüllen die Pumpenbaugruppen die Entwurfs- und Testanforderungen der CSA, der Canadian Standards Association (siehe CAN/CSA — C22.2 Nr. 68-92, Motorbetriebene Apparate).

9.2 Conformité Européene (CE)

Wenn angegeben, sind eine EU-Konformitätserklärung und das CE-Zeichen für das Produkt vorhanden. Diese Produkte erfüllen die europäischen Normen EN982:1996, EN1050:1998 and EN-ISO-12100-1&2:2003 und die EU-Richtlinien 2006/42/EC, 97/23/EC, 2004/108/EC, 2006/95/EC und 97/23/EC.

FEHLERBEHEBUNGSTABELLE

Problem	Mögliche Ursache	Lösung
Pumpe startet nicht.	Kein Strom. Falsche Spannung.	Elektrische Stromversorgung prüfen. Spannungsangaben auf Seite 16 prüfen.
Zylinder fährt nicht aus bzw. nicht ein.	Flüssigkeitsstand niedrig. Einlaßsieb verstopft. Falsche Ventilstellung. Ventil defekt.	Tank auf vorschriftsmäßigen Stand nachfüllen. Einlaßsiebe reinigen oder austauschen. Ventil auf Druckstellung stellen. Pumpe von einem qualifizierten Hydrauliktechniker reparieren lassen
Zylinder fährt unregelmäßig aus bzw. ein.	Luft im System. Externe Leckage im System. Interne hydraulische Leckage.	System entlüften: hierzu Werkzeug öffnen und schließen, bis es reibungslos arbeitet. Undichte Verbindungen anziehen. Beschädigte Schläuche und Verbindungsstücke austauschen. Pumpe von einem qualifizierten Hydrauliktechniker reparieren lassen.
Pumpe kann Druck nicht halten.	Externe hydraulische Leckage. Interne hydraulische Leckage.	Undichte Verbindungen festziehen. Beschädigte Schläuche und Verbindungsstücke austauschen. Pumpe von einem qualifizierten Hydrauliktechniker reparieren lassen.
Niedrige Flüssigkeitszufuhr.	Flüssigkeitsstand niedrig. Undichte Pumpenkomponenten. Umlaufventil defekt. Flüssigkeitseinlaßsiebe an Kolbenblöcken evtl. verstopft.	Tank auf vorschriftsmäßigen Stand nachfüllen. Leckstellen ermitteln. Pumpe von einem qualifizierten Hydrauliktechniker reparieren lassen. Einlaßsiebe überprüfen. Alle Komponenten durchspülen, um eventuellen Schmutz zu entfernen. Beschädigte Komponenten austauschen.

L2062 Rev. I 02/21

IT

1.0 ISTRUZIONI AL RICEVIMENTO

Controllare visivamente tutti i componenti per accertare eventuali danni derivanti dal trasporto. Se del caso, sporgere subito reclamo al trasportatore. I danni causati durante il trasporto non sono coperti dalla garanzia. Il trasportatore è responsabile degli stessi e deve rispondere di tutte le spese e costi per la rimessa in efficienza del materiale.

SICUREZZA ANZITUTTO

2.0 NORME SULLA SICUREZZA



Leggere attentamente tutte le istruzioni, le Precauzioni ed Avvertenze che si devono osservare durante l'impiego delle attrezzature. Rispettare tutte le norme di sicurezza per evitare infortuni alle persone e danni alle cose. L'ENERPAC non è responsabile per infortuni e danni causati dal mancato rispetto delle Norme di Sicurezza, dall'uso e dall'applicazione impropria del prodotto o dalla sua mancata manutenzione. In caso di dubbi sulla applicazione del prodotto o sulla Sicurezza, contattare l'ENERPAC. In assenza di qualsiasi formazione relativa alla sicurezza con i sistemi idraulici ad alta pressione, rivolgersi al proprio rivenditore o centro di assistenza per ricevere informazioni su un corso Enerpac sulla sicurezza con i sistemi idraulici.

L'inosservanza delle seguenti Norme di Sicurezza può causare infortuni alle persone e danni alle attrezzature.

PRECAUZIONE: Sta ad indicare la corretta procedura d'impiego o di manutenzione per evitare danni, anche irreparabili, dell'attrezzatura e delle cose circostanti.

AVVERTENZA: Sta ad indicare un potenziale pericolo che richiede l'osservanza della procedura per evitare infortuni alle persone.

PERICOLO: E' usato solo quando una azione od una mancata azione può provocare gravi infortuni se non la **morte**.



AVVERTENZA: Durante l'impiego delle attrezzature oleodinamiche usare sempre gli indumenti protettivi appropriati.



AVVERTENZA: Non sostare sotto ai carichi sorretti oleodinamicamente. Quando si impiega un cilindro, oleodinamico, per sollevare od abbassare un carico, non deve **mai** essere utilizzato come sostegno permanente. Dopo ogni operazione di sollevamento od abbassamento, assicurare il carico meccanicamente.



AVVERTENZA: IMPIEGARE SUPPORTI SOLIDI PER IL SOSTEGNO DEI CARICHI. Scegliere blocchi in acciaio o legno idonei a sostenere il carico. Non usare mai il cilindro oleodinamico come cuneo o spessore nelle operazioni di sollevamento o pressatura.



PERICOLO: Per evitare lesioni personali, tenere mani e piedi lontano dai cilindri oleodinamici durante il loro impiego.



AVVERTENZA: Non superare mai la potenza nominale dell'attrezzatura. Non tentare mai di sollevare un carico superiore alla capacità del cilindro. I sovraccarichi possono causare danni all'attrezzatura ed infortuni alle persone. I cilindri sono stati progettati per operare ad una pressione di 700 bar max. Non collegare mai i cilindri ad una pompa con pressione nominale maggiore.



MAI tarare la valvola regolatrice di pressione ad un valore superiore a quello nominale della pompa. Una taratura troppo alta può causare lesioni alle persone e danni alle attrezzature.



AVVERTENZA: La pressione max. di esercizio, in un circuito, non deve mai superare quella nominale del componente a pressione più bassa. Per controllare la pressione in un circuito, montare un manometro.



PRECAUZIONE: Evitare di danneggiare il tubo flessibile. Evitare curve strette e serpentine dei tubi flessibili. Curve troppo strette causano strozzature nella tubazione che possono dar luogo a pericolose contropressioni le quali ne compromettono la durata.



NON schiacciare i tubi flessibili. Lo schiacciamento od urto, con oggetti pesanti, possono danneggiare le spirali metalliche interne di rinforzo. Pressurizzare un tubo flessibile lesionato ne causa la rottura.





IMPORTANTE: Non usare il tubo flessibile od il giunto ruotante per sollevare le attrezzature. Servirsi delle maniglie di trasporto o di altri mezzi più sicuri.





PRECAUZIONE: Proteggere tutti i componenti oleodinamici da fonti di calore. Una temperatura elevata ammorbidisce le tenute, le guarnizioni ed il tubo flessibile, dando origine a perdite d'olio. Per un corretto funzionamento la temperatura dell'olio non deve superare i 65 °C. Proteggere i tubi flessibili ed i cilindri dagli spruzzi di saldatura.


 **PERICOLO: Non maneggiare i tubi flessibili sotto pressione.** Spruzzi d'olio sotto pressione perforano la pelle causando serie complicazioni. Se l'olio è penetrato sotto pelle, consultare immediatamente un Medico.


 **AVVERTENZA: Impiegare i cilindri solo con innesti collegati.** Non usare MAI i cilindri con gli innesti scollegati. Sovraccarichi incontrollati sui cilindri possono causare guasti gravissimi e lesioni alle persone.


 **AVVERTENZA: Prima di procedere al sollevamento di un carico, assicurarsi della perfetta stabilità dei Cilindri.** I cilindri devono essere posizionati su una superficie piana, in grado di sorreggere il carico. Dove è possibile, impiegare la base d'appoggio per cilindri per aumentarne la stabilità. Non modificare in alcun modo i cilindri per collegarli o saldarli a supporti speciali.

 **Evitare** l'impiego dei cilindri quando il carico non è centrato sul pistone. I carichi disassati generano dannose sollecitazioni per i cilindri, inoltre, il **carico potrebbe slittare e cadere** con conseguenze disastrose.

 Far appoggiare il carico sull'intera superficie della testina del pistone. Usare sempre le testine per proteggere lo stelo.

 **IMPORTANTE:** La manutenzione delle attrezzature oleodinamiche deve essere affidata solo a tecnici qualificati. Per il servizio di assistenza tecnica, rivolgersi al Centro Assistenza Autorizzato ENERPAC di zona. Per salvaguardare la Vostra garanzia, usare solo olio ENERPAC.

 **AVVERTENZA:** Sostituire immediatamente le parti usurate o danneggiate con ricambi originali ENERPAC. Le parti usurate si potrebbero rompere, causando lesioni alle persone e danni alle cose.

 **ATTENZIONE:** Controllare i dati tecnici della targa del motore elettrico. Un incorretta alimentazione danneggia il motore.

3.0 CARATTERISTICHE TECNICHE

	Modelli "B"	Modelli "E"
Pressione di esercizio	0 - 700 bar	
Alimentazione:	Monofase con terra 15 A, 120 V, 50/60 Hz	Monofase con terra 10 A, 220 V. 50/60 Hz
Valori nominali del motore	Modello universale da 0,37 kW, 9 A a 700 bar e 12.000 giri/min., funzionamento a 60-125 V, 85-89 dBa	Modello universale da 0,37 kW, 4 A a 700 bar e 12.000 giri/min., 85-89 dBa
Portata	3,3 l/min. da 0 bar e 14 bar, 0,33 l/min. a 700 bar	
Temperatura max. di esercizio	65°C	

N. di modello	Utilizzato con cilindro	Tipo di valvola	Volume di olio utilizzabile	Peso
PUD-1100B/E	Ad effetto semplice	A scarico rapido	2,00 l	14 kg
PUD-1101B/E			3,79 l	20 kg
PUD-1300B/E	Ad effetto semplice	Scarico/Tenuta	2,00 l	14 kg
PUD-1301B/E			2,00 l	20 kg
PUJ-1200B/E	Ad effetto semplice	3 vie, 2 posizioni	2,00 l	12 kg
PUJ-1201B/E			3,79 l	18 kg
PUJ-1400B/E	A doppio effetto	4 vie, 3 posizioni	2,00 l	15 kg
PUJ-1401B/E			3,79 l	20 kg

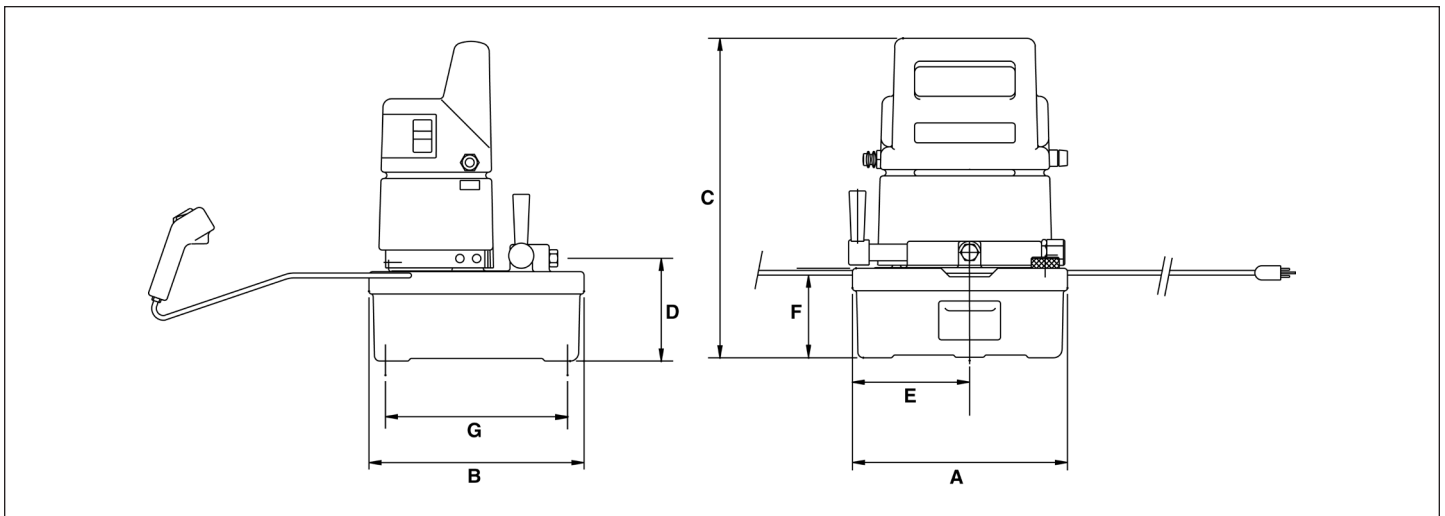


Figura 1

Dimensioni cm								
Modelli	A	B	C	D	E	F	G	H
PUD-1100B/E, PUD-1300B/E, PUJ-1200B/E, PUJ-1400B/E	24,43	24,43	36,20	11,99	13,34	10,16	20,62	1,90
PUD-1101B/E, PUD-1301B/E, PUJ-1201B/E, PUJ-1401B/E	30,94	36,83	10,54	13,00	14,27	10,54	32,43	1,57

* La dimensione "D" del modello PUJ-1400B è di 15,7 cm; quella del modello PUJ-1401B/E è di 16,7 cm

4.0 INSTALLAZIONE

4.1 Collegamenti Idraulici

Avvolgere con 1 giro e 1/2 di nastro di Teflon (o guarnite similare le estremità filettate dei raccordi, avendo cura di lasciar libero il primo filetto per evitare che frammenti di nastro entrino nel circuito oleodinamico danneggiandolo.



AVVERTENZA: Per un corretto funzionamento, evitare che i tubi flessibili siano attorcigliati o che abbiano curve troppo strette. Un tubo flessibile attorcigliato o danneggiato deve essere sostituito. Un tubo flessibile danneggiato con l'alta pressione si può rompere e causare lesioni alle persone.

Modelli PUJ-1200B/E, PUJ-1201B/E (Fig. 2)

1. Rimuovere il tappo di spedizione 1/4" 18 NPTF dalla presa manometro (A) situata sopra la valvola direzionale.
2. Montare sulla bocca (A) un manometro da 0 – 700 bar
3. Montare un tubo flessibile sulla bocca di mandata (B), da 3/8" NPTF, della valvola direzionale.
4. Collegare l'eventuale tubo di ritorno in serbatoio alla bocca (C) 3/8" 18 NPTF.

Modelli PUJ-1400B/E, PUJ-1401B/E (Fig. 3)

1. Rimuovere il tappo di spedizione dalla bocca di Mandata (D), 3/8" 18 NPTF della valvola direzionale e montarvi un portamanometro
2. Installare un manometro da 0 – 700 bar.
3. Collegare il tubo flessibile all'uscita del porta manometro. Collegare l'innesto rapido del flessibile a quello di mandata del cilindro. Serrare bene la ghiera del giunto. Non usare chiavi, serrare a mano.
4. Collegare l'altro tubo flessibile alla bocca di ritorno (E) della valvola direzionale, 3/8" 18 NPTF. Collegare il giunto rapido a quello di ritorno del Cilindro.

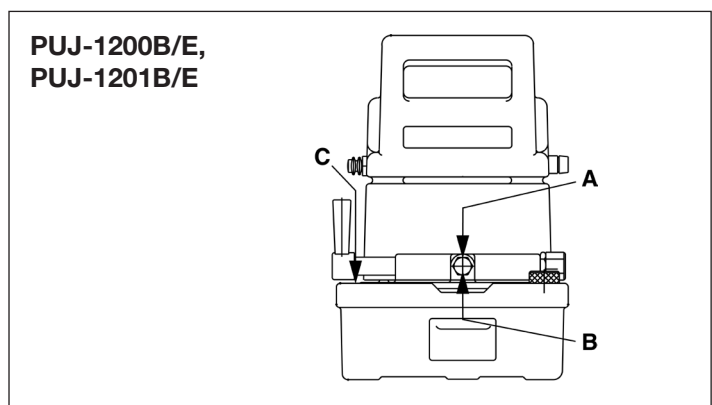


Figura 2

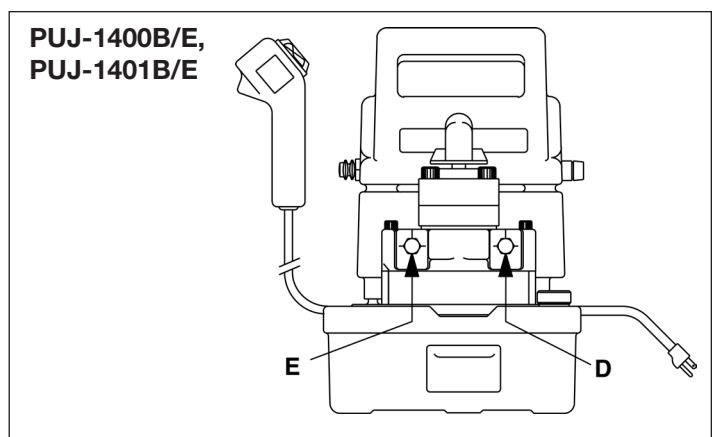


Figura 3

PUD1100B/E, PUD-1101B/E, PUD1300B/E e PUD1301B/E Modelli

1. Il tubo di collegamento pompa-cilindro si avvita direttamente alla bocca(A) della valvola di controllo.
2. Se è necessario un manometro per misurare la pressione del sistema, un portamanometro deve essere avvitato sulla bocca(A) della valvola. Installare un manometro 0-10.000 psi (700 bar) sul portamanometro.

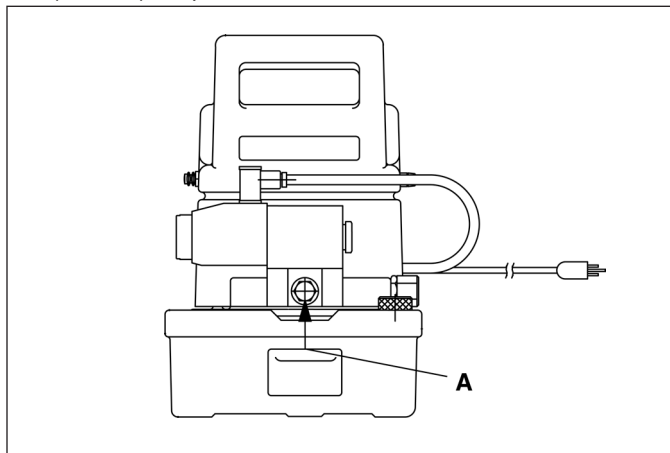


Figura 4

4.2 Sequenza de montaggio (Figura 5)

1. Rimuovere la placca - 1 - (rif. D43918098)
2. Verificare e montare il connettore - 2 - nella sede sul coperchio avendo cura di non danneggiare le guarnizioni.
3. Montare la valvola - 3 - avendo cura di non danneggiare le guarnizioni.

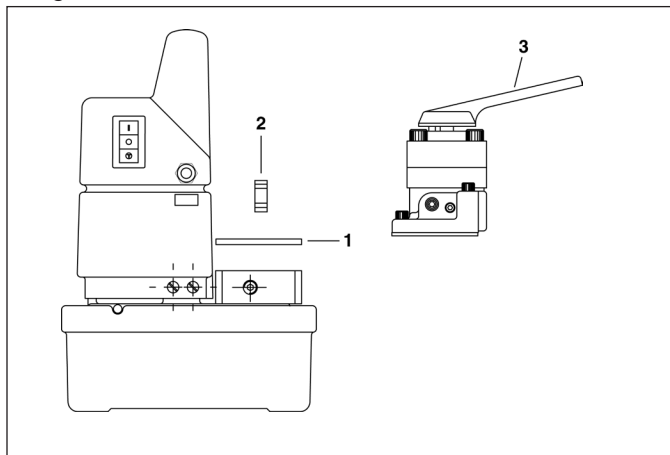


Figura 5

4.3 RABBOCCO OLIO (Fig. 6)

Per controllare il livello dell'olio, svitare e rimuovere il tappo di ventilazione / riempimento (F). Aggiungere olio idraulico ENERPAC sino ad 1 cm. sotto la bocca di riempimento.

IMPORTANTE: Aggiungere olio solo quando tutti i componenti del circuito sono completamente rientrati, altrimenti nel serbatoio si avrà più olio di quanto ne possa contenere.

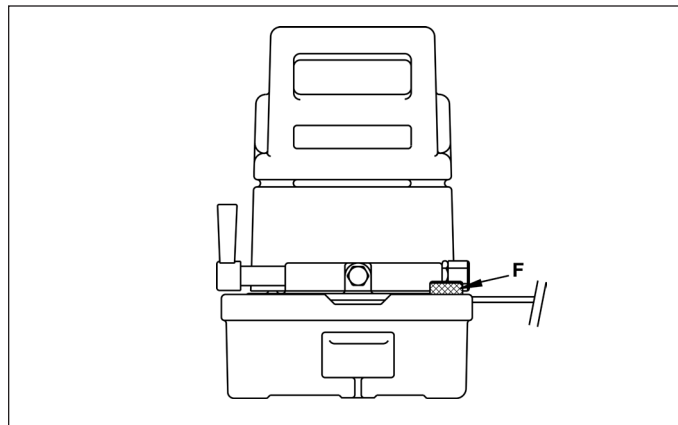


Figura 6

5.0 FUNZIONAMENTO

NOTA: Per evitare perdite di potenza del motore, il cavo di alimentazione deve essere il più corto possibile. Il motore sottoalimentato riduce il numero di giri e quindi la portata della pompa.

1. Controllare che tutti i giunti e raccordi del circuito siano ben serrati e non vi siano perdite d'olio.
2. Controllare il livello dell'olio, se necessario rabboccare.
3. Aprire il tappo di ventilazione del serbatoio (F), che è situato sopra l'angolo anteriore destro, allentandolo di 1 o 2 giri.



ATTENZIONE: Il tappo di ventilazione deve sempre essere aperto durante il funzionamento della pompa.

5.1 Funzioni dell' Interruttore (Fig. 7)

I modelli "B" richiedono una linea di alimentazione da 120 V. 15 A. monofase con terra. I modelli "E" richiedono una linea di alimentazione da 220 V. 10 A. monofase con terra. Il cavo di alimentazione è lungo m. 1,5.

1. L' interruttore è situato sul lato della carenatura. L'interruttore è a 3 posizioni; Quella superiore Stabile "ON", quella centrale "OFF" e quella Inferiore **instabile** "MOM". Premendo l'interruttore "ON" si alimenta il circuito elettrico della centralina ma non si avvia il motore. Il motore si avvia premendo il pulsante "G", posto sulla pulsantiera.
2. Premendo l'interruttore "MOM" si avvia il motore della centralina, che rimarrà in moto sino a quando non lo si rilascia. Questa pulsante instabile può essere usato in alternativa alla pulsantiera.

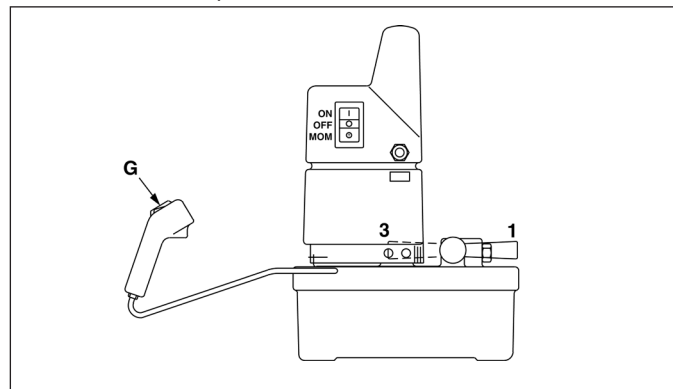


Figura 7

5.2 Valvola Direzionale

Modelli PUJ-1400B/E e PUJ-1401B/E

La valvola direzionale invia l'olio al circuito o lo fa ritornare in serbatoio. Queste centraline montano una valvola a 3 vie 2 posizioni. Le posizioni della valvola sono illustrate in fig. 8: 1 – mandata, 3 – ritorno. Per far avanzare il pistone, portare la valvola nella posizione di mandata (1) e premere il pulsante della pulsantiera.

Il pistone avanza sino a quando non si rilascia il pulsante.

Per far rientrare il pistone, portare la valvola nella Posizione di scarico (3).

Il pistone rientrerà sia con la pompa in moto che a pompa ferma.

Modelli PUJ-1400B/E e PUJ-1401B/E

Su queste centraline sono montate valvole a 4 vie – 3 posizioni, per il comando di cilindri a doppio effetto, dove l'avanzamento ed il ritorno del pistone sono ottenuti idraulicamente. Le posizioni della valvola sono illustrate in fig. 8:

1 – Mandata / 2 – Ritorno / 3 – Neutro (tenuta) In ogni posizione il movimento del pistone è control-lato dalla pulsantiera.

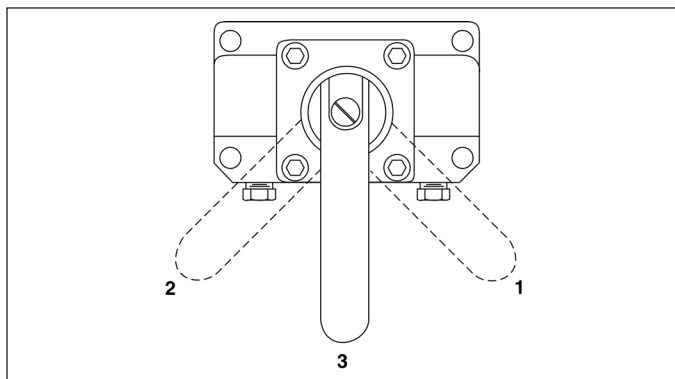


Figura 8

Modelli PUD1100B/E e PUD1101B/E

Queste centraline servono per comandare cilindri a semplice effetto dove non è richiesta la funzione di Tenuta. Premendo il pulsante della pulsantiera il motore della pompa si avvia ed il pistone avanza. Rilasciando il pulsante il motore si arresta ed il pistone rientra.

PUD1300B/E e PUD1301B/E Modelli

Dove è necessaria la funzione di tenuta del carico, utilizzare le pompe PUD1300B/E e PUD1301B/E. Premere il bottone "avvio" per azionare la pompa e far avanzare il cilindro. Rilasciando il bottone la pompa si ferma e il cilindro mantiene il carico in posizione. Premendo il bottone "ritorno", la valvola si commuta permettendo la discesa del carico.

NOTA: Il tempo di arresto del motore può variare in funzione del carico, e questo può non fermare l'avanzamento appena premuto il bottone. Può esserci un leggero movimento del pistone mentre il motore si arresta.

5.3 Termostato

Tutte le centraline sono munite di termostato di protezione, a taratura fissa, che arresta il motore quando la temperatura dell'olio raggiunge i 65 °C. Quando la temperatura scende a 54 °C. il termostato si disattiva automaticamente.

5.4 Spurgo dell'Aria

Al primo avviamento è necessario spurgare l'aria presente nel circuito oleodinamico. Per un funzionamento regolare e sicuro, per spurgare l'aria far compiere alcuni cicli, senza carico, ai cilindri. L'aria sarà spurgata quando il cilindro si muoverà, estensione e rientro, in modo uniforme.



ATTENZIONE: Per evitare infortuni e danni alle attrezzature non continuare a pressurizzare i cilindri quando sono a finecorsa od al massimo della pressione di esercizio.

6.0 REGOLAZIONE VALVOLA DI SICUREZZA (Fig. 9)

La valvola di sicurezza è interna, a taratura fissa, ed è tarata in fabbrica a 700 bar. Una seconda valvola regolatrice di pressione è collocata sotto al tappo esagonale sul lato destro della pompa. Questa valvola regolatrice di pressione, esterna, ha un campo di taratura da 140 a 700 bar. (I modelli PUJ-1400B/E e PUJ-1401B/E non sono dotati di valvola di sicurezza regolabile dall'esterno.)

6.1 Procedura di Taratura (Fig. 9)

1. Montare un manometro seguendo le istruzioni a Pag. 25, paragrafo 4.1
2. Tappare la bocca di mandata.
3. Rimuovere il tappo esagonale (H) che protegge la vite di regolazione della valvola limitatrice di pressione.
4. Con una chiave a Brugola ruotare la vite di regolazione, in senso antiorario, di un giro completo.
5. Avviare la pompa "MOM", leggere sul manometro la massima pressione raggiunta.
6. Aumentare o diminuire la pressione sino a raggiungere il valore desiderato.
7. Controllare la taratura avviando la pompa più volte. Se la pressione indicata è sempre la stessa la taratura è stabile.
8. Rimontare il tappo esagonale di protezione.

NOTA: Per ottenere una taratura accurata, abbassare al minimo la pressione per poi aumentarla gradatamente sino al valore desiderato.

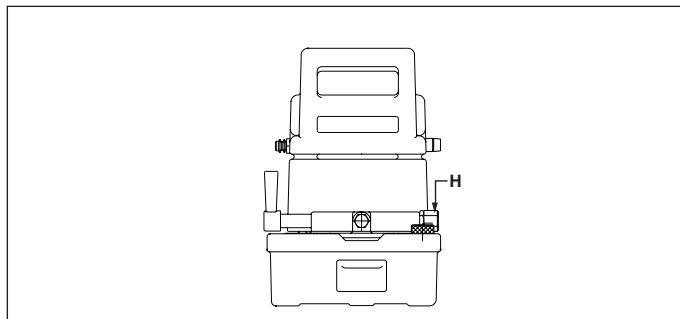


Figura 9



AVVERTENZA: Per evitare infortuni alle Persone e danni alle cose, NON tentare di superare la pressione max. di esercizio di 700 bar.

7.0 MANUTENZIONE

7.1 Livello Olio

Controllare il livello dell'olio nel serbatoio ogni 40 ore di esercizio. Rabboccare se necessario, portare l'olio ad 1 cm. sotto la bocca di riempimento. Usare solo olio idraulico ENERPAC. L'impiego di altri oli o fluidi può danneggiare l'impianto e far decadere la garanzia ENERPAC.

7.2 Sostituzione olio (Fig. 10)

Vuotare completamente il serbatoio ogni 100 ore di esercizio. Rabboccare con olio nuovo. Se la centralina lavora in ambienti sporchi od a temperature elevate la sostituzione dell'olio deve essere fatta con maggior frequenza.

1. Rimuovere il tappo di ventilazione / riempimento, **(F)** situato sopra l'angolo destro del serbatoio.
2. Inclinare la pompa fino a far uscire tutto l'olio.
3. Rabboccare con olio nuovo. Le capacità dei serbatoi possono essere, secondo dei modelli, di 2,8 l oppure 5,7 l.
4. Rimontare il tappo **(F)**.

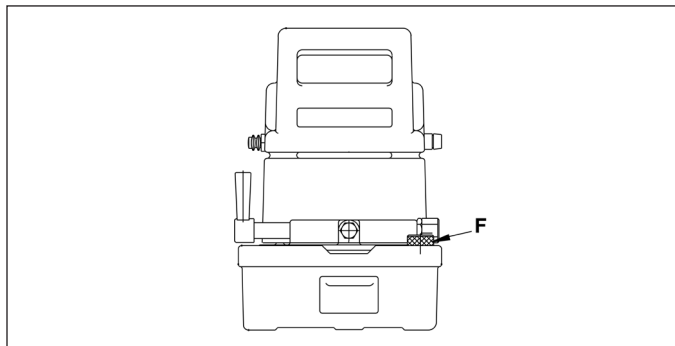


Figura 10

7.3 Pulizia del serbatoio

Se la centralina è impiegata in ambienti molto polverosi è necessario pulire il serbatoio almeno una volta l'anno. È possibile rimuovere il serbatoio per pulirlo.

1. Vuotare il serbatoio come descritto nel paragrafo 7.2 ai punti 1 e 2.
2. Rimuovere le 6 viti che fissano la carenatura al serbatoio e sollevarla delicatamente. Il motore è avvolto con materiale espanso per separarlo dai fili elettrici di collegamento. Fare attenzione a non danneggiare i fili e che gli stessi non si stacchino dai morsetti.
3. Rimuovere le 8 viti che fissano la pompa al serbatoio. Sollevare la pompa e togliere la guarnizione.
4. Pulire a fondo il serbatoio con un detergente appropriato.
5. Montare una nuova guarnizione sul serbatoio. Rimontare la pompa ed assicurarla con le 8 viti. Disporre la carenatura con la maniglia rivolta verso la valvola direzionale, calzarla con attenzione e rimontare le 6 viti con le rondelle elastiche sia all'interno che all'esterno.

Se la pompa deve essere riparata, rivolgersi al Centro Assistenza Autorizzato ENERPAC più vicino alla Vostra sede.

7.4 Spazzole del motore

Controllare le spazzole del motore elettrico almeno una volta ogni due anni. Per le pompe in condizioni di uso pesante, controllare le spazzole almeno una volta ogni sei mesi.



PERICOLO: Per evitare una possibile folgorazione, la pompa deve essere scollegata completamente dall'alimentazione elettrica, prima di effettuare la manutenzione delle spazzole.

8.0 ELIMINAZIONE DEI DIFETTI (VEDERE LA TABELLA)

La tabella per l'eliminazione dei difetti è un aiuto inteso ad aiutarvi a diagnosticare e correggere vari possibili problemi della pompa.

Solo dei tecnici idraulici qualificati dovrebbero intervenire per l'eliminazione dei difetti della pompa. Per il servizio di riparazione, contattare il Centro di Servizio autorizzato Enerpac della vostra zona.

8.1 Interruttore automatico (pompe con Data codice F e posteriori)

Nell'eventualità di un sovraccarico elettrico, l'interruttore automatico della pompa potrebbe scattare. Premere il pulsante per resettarlo.

8.2 Fusibili (Pompe con Data Codice F e posteriori)

I fusibili interni proteggono i circuiti primario e secondario del trasformatore di comando. Se un fusibile interviene, ricercarne la causa e correggere le ragioni del difetto. Quindi, sostituire il fusibile fuso con un fusibile nuovo della corretta portata. Per le portate dei fusibili, fare riferimento alla Scheda dei Pezzi di Ricambio per il vostro modello di pompa.



ATTENZIONE: Togliere sempre l'alimentazione elettrica prima di sostituire i fusibili.

9.0 STANDARD DI PROVA

9.1 Canadian Standards Association (CSA)

Quando è specificato, gli assieme della pompa corrispondono all'assieme di progetto ed alle richieste di collaudo del CSA, la Canadian Standards Association.

9.2 Conformità Europea (CE)

Nel caso sia specificato, viene fornita una dichiarazione di conformità EC ed il marchio CE. Questi prodotti sono conformi agli Standards Europei EN982:1996, EN1050:1998 ed EN-ISO-12100-1&2:2003, ed alle direttive EC : 2006/42/EC, 97/23/EC, 2004/108/EC, 2006/95/EC e 97/23/EC.

SCHEDA PER L'ELIMINAZIONE DEI DIFETTI

Problema	Possibile Causa	Soluzione
La pompa non si avvia	<ol style="list-style-type: none">1. Manca la corrente2. Tensione alimentazione errata	<ol style="list-style-type: none">1. Controllare la linea di alimentazione.2. Controllare caratteristiche tecniche a pag. 23.
Il pistone non avanza e non rientra	<ol style="list-style-type: none">1. Mancanza d'olio nel serbatoio2. Filtro di aspirazione intasato3. Valvola nella posizione sbagliata4. Valvola guasta	<ol style="list-style-type: none">1. Ripristinare il livello dell'olio.2. Pulire o sostituire il filtro.3. Portare la valvola nella corretta posizione.4. Far riparare la centralina da un tecnico qualificato.
Il pistone avanza e rientra a scatti	<ol style="list-style-type: none">1. Aria nel circuito2. Perdita esterna del circuito3. Trafilamento interno	<ol style="list-style-type: none">1. Spurgare l'aria facendo compiere All'attrezzatura diversi cicli a vuoto, sino a quando il movimento è uniforme.2. Serrare i raccordi che perdono. Sostituire i tubi flessibili ed i raccordi danneggiati.3. Fare eseguire la riparazione ad un tecnico qualificato.
La pompa non mantiene la pressione	<ol style="list-style-type: none">1. Perdita esterna del circuito2. Trafilamento interno	<ol style="list-style-type: none">1. Serrare i raccordi che perdono. Sostituire i tubi flessibili ed i raccordi danneggiati.2. Far riparare la centralina da un tecnico qualificato.
Scarso flusso d'olio	<ol style="list-style-type: none">1. Mancanza d'olio nel serbatoio2. Perdita dai componenti della pompa3. Valvola by-pass guasta4. Filtri di aspirazione intasati	<ol style="list-style-type: none">1. Ripristinare il livello dell'olio.2. Controllare per individuare la perdita.3. Fare eseguire la riparazione da un tecnico qualificato.4. Pulire i filtri e sostituire tutti i componenti danneggiati.

L2062

Rev. I

02/21



ES

1.0 IMPORTANTES INSTRUCCIONES DE RECEPCIÓN

Inspeccione visualmente todos los componentes para verificar si hay daños de envío. Debido a que la garantía **no** ampara daños por envío, si los hubiese, infórmeleso inmediatamente a la empresa de transportes, puesto que ésta es responsable de todos los gastos de reparaciones o reemplazo que resulten por daños de envío.

SEGURIDAD PRIMERO

2.0 ASPECTOS DE SEGURIDAD

  Lea todas las instrucciones, advertencias y precauciones. Acate todas las precauciones de seguridad para evitar lesiones personales o daños a la propiedad durante la operación del sistema. ENERPAC no puede ser responsable de daños o lesiones que resulten de no usar el producto de forma segura, falta de mantenimiento o aplicación incorrecta del producto y/u operación del sistema. Comuníquese con ENERPAC si tuviese dudas sobre las precauciones de seguridad o sobre las aplicaciones. Si nunca ha sido capacitado en seguridad hidráulica de alta presión, consulte con su centro de distribución o servicio para obtener información sobre un curso de seguridad hidráulica de Enerpac.

El no cumplir con las siguientes precauciones y advertencias podría causar daños al equipo y lesiones personales.

Una **PRECAUCIÓN** se utiliza para indicar procedimientos y prácticas de operación o mantenimiento correctos para evitar daños o la destrucción de equipo u otra propiedad.

Una **ADVERTENCIA** indica un potencial peligro que requiere de procedimientos o prácticas correctos para evitar lesiones personales.

Un **PELIGRO** se utiliza sólo cuando su acción o falta de acción podría causar lesiones graves o incluso la muerte.



ADVERTENCIA: Use el equipo de protección personal adecuado cuando opere equipo hidráulico.



ADVERTENCIA: Manténgase alejado de las cargas soportadas por sistemas hidráulicos. Cuando un cilindro se utiliza como dispositivo para levantar carga, nunca debería usarse como dispositivo para sostener carga. Después de que la carga haya sido levantada o descendida, debe bloquearse siempre en forma mecánica.



ADVERTENCIA: USE SÓLO PIEZAS RÍGIDAS PARA SOSTENER CARGAS. Seleccione cuidadosamente bloques de acero o de madera capaces de soportar la carga. Nunca use un cilindro hidráulico como calza o separador en aplicaciones de levantamiento o presión.



PELIGRO: Para evitar lesiones personales, mantenga las manos y los pies alejados del cilindro y pieza de trabajo durante la operación.



ADVERTENCIA: No sobrepase el valor nominal del equipo. Nunca intente levantar una carga que pese más de la capacidad del cilindro. Las sobrecargas ocasionan fallas del equipo y posibles lesiones personales. Los cilindros están diseñados para resistir una presión máxima de 700 bar. No conecte un gato o cilindro a una bomba cuyo valor nominal de presión es mayor que el indicado.



Nunca fije la válvula de seguridad a una presión más alta que el máximo valor nominal de presión de la bomba. Los ajustes más altos pueden resultar en daños al equipo y/o lesiones personales.



ADVERTENCIA: La presión de operación del sistema no debe sobrepasar el valor nominal de presión del componente con el valor nominal más bajo en el sistema. Instale manómetros de presión en el sistema para vigilar la presión de operación. Es su ventana a lo que está sucediendo en el sistema.



PRECAUCIÓN: Evite dañar la manguera hidráulica. Evite pliegues y curvas agudos al guiar las mangueras hidráulicas. Usar una manguera con pliegues o curvas puede causar severa contrapresión. Los pliegues y curvas agudos causarían daños internos a la manguera, lo que ocasionará que ésta falle prematuramente.



No deje caer objetos pesados sobre la manguera. Un impacto directo puede causar daños internos a las hebras de alambre de la manguera. Aplicar presión a una manguera dañada puede ocasionar que se quiebre.



IMPORTANTE: No levante el equipo hidráulico por las mangueras o acopladores giratorios. Use el mango de transporte u otros medios para transportarla con seguridad.



PRECAUCIÓN: Mantenga el equipo hidráulico alejado de las llamas y el calor. El calor en exceso ablandará las juntas y sellos, lo que resultará en fugas de líquidos. Asimismo, el calor debilita los materiales de la manguera y juntas. Para lograr un rendimiento óptimo, no exponga el equipo a temperaturas de 65°C [150°F] o mayores. Proteja las mangueras y cilindros de salpicaduras de soldadura.

PELIGRO: No manipule mangueras bajo presión. El aceite que escape bajo presión puede penetrar la piel y causar lesiones graves. Si se inyecta aceite bajo la piel, consulte a un médico inmediatamente.

ADVERTENCIA: Use cilindros hidráulicos únicamente en sistemas acoplados. Nunca use un cilindro si los acopladores no están conectados. Si el cilindro se sobrecarga, los componentes pueden fallar calamitosamente, lo que causaría lesiones personales graves.

ADVERTENCIA: Asegure que el equipo sea antes de levantar la carga. El cilindro debe colocarse sobre una superficie plana capaz de soportar la carga. De ser necesario, utilice una base de cilindro para mayor estabilidad. No suelde ni modifique el cilindro en modo alguno para fijarle una base u otro medio de soporte.

Evite las situaciones en las cuales las cargas no estén directamente centradas sobre el émbolo del cilindro. Las cargas descentradas producen un esfuerzo considerable sobre los cilindros y los émbolos. Además, la carga podría resbalar o caerse, creando situaciones potencialmente peligrosas.

Distribuya la carga uniformemente sobre la superficie total del asiento del cilindro. Siempre utilice un asiento para proteger el émbolo cuando no se usen accesorios roscados.

IMPORTANTE: Únicamente técnicos calificados en sistemas hidráulicos habrán de prestarle servicio al equipo hidráulico. Comuníquese con el Centro de Servicio ENERPAC autorizado en su zona para prestarle servicio de reparaciones. Use únicamente aceite ENERPAC a fin de proteger su garantía.

ADVERTENCIA: Reemplace inmediatamente las piezas gastadas o dañadas por piezas ENERPAC genuinas. Las piezas de clasificación estándar se romperán, lo que causará lesiones personales y daños a la propiedad. Las piezas ENERPAC están diseñadas para encajar debidamente y resistir altas cargas.

ATENCIÓN: Compruebe las especificaciones y los datos dados en la chapa de identificación del motor. Si se usa una fuente de alimentación de tipo incorrecto se dañará el motor.

3.0 ESPECIFICACIONES

	Modelos "B"	Modelos "E"
Presión de funcionamiento	0 - 700 bar	
Fuente de alimentación eléctrica	15 A, 120 V monofásica referido a tierra, 50/60 Hz'	10 A, 220 V monofásica, 50/60 Hz
Capacidad nominal del motor	Universal de 0,37 kW, 9 A a 700 bar y 12.000 rpm; funciona con 60-125 V 85-89 dBa	Universal de 0,37 kW, 4 A a 700 bar y 12.000 rpm; 85-89 dBa
Caudal	3,3 l/min. a presiones de 0 bar hasta 14 bar, 0,33 l/min a 700 bar	
Temperatura máx. de funcionamiento	65°C	

Nº modelo	Usado con cilindro	Tipo de válvula	Capacidad de aceite	Peso
PUD-1100B/E	Acción única	Válvula de descarga	2,00 l	14 kg
PUD-1101B/E			3,79 l	20 kg
PUD-1300B/E	Acción única	Descarga/Asimiento	2,00 l	14 kg
PUD-1301B/E			2,00 l	20 kg
PUJ-1200B/E	Acción única	3 vías, 2 posiciones	2,00 l	12 kg
PUJ-1201B/E			3,79 l	18 kg
PUJ-1400B/E	Acción doble	4 vías, 3 posiciones	2,00 l	15 kg
PUJ-1401B/E			3,79 l	20 kg

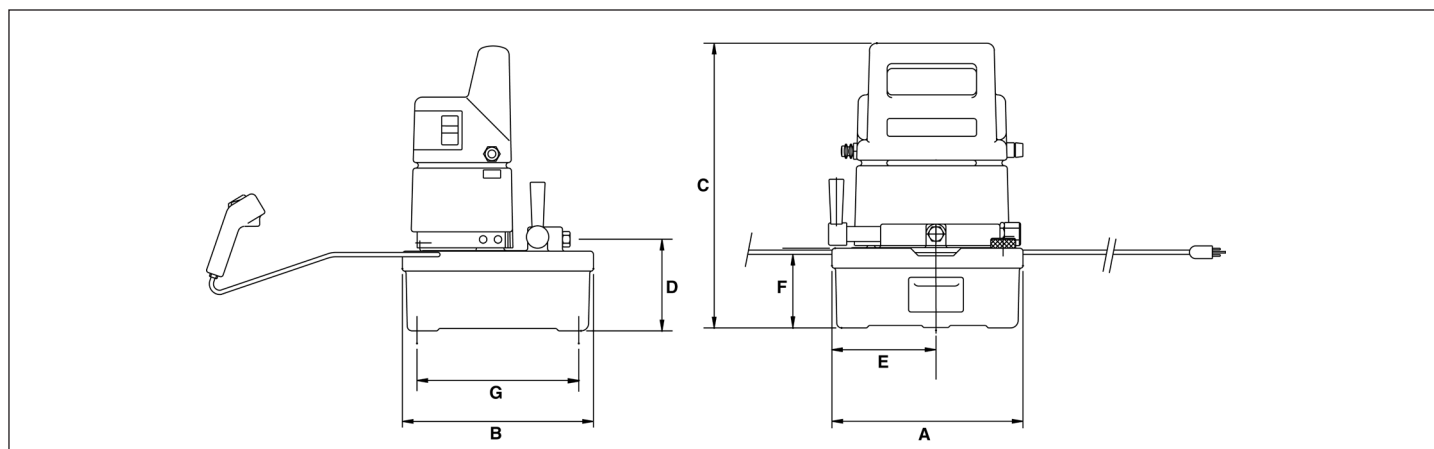


Figura 1

Dimensiones cm								
Modelos	A	B	C	D	E	F	G	H
PUD-1100B/E, PUD-1300B/E, PUJ-1200B/E, PUJ-1400B/E	24,43	24,43	36,20	11,99	13,34	10,16	20,62	1,90
PUD-1101B/E, PUD-1301B/E, PUJ-1201B/E, PUJ-1401B/E	30,94	36,83	10,54	13,00	14,27	10,54	32,43	1,57

* La dimensión "D" en la PUJ-1400B/E mide 15,7 cm; en la PUJ-1401B/E mide 16,7 cm

4.0 INSTALACION

4.1 Conexiones hidráulicas

Ponga una vuelta y media de cinta de teflón (o un sellador de roscas adecuado) en todas las roscas, dejando el primer hilo de rosca sin encintar para asegurar que no se desprendan pedazos de cinta y entren al sistema hidráulico, causando daños. Recorte las puntas sueltas.



ADVERTENCIA: Para asegurar el funcionamiento correcto, evite retorcer o doblar pronunciadamente las mangueras. Si una manguera se retuerce o daña de otra manera, reemplácela. Las mangueras dañadas pueden romperse a alta presión y causar lesiones.

Modelos PUJ-1200B/E, PUJ-1201B/E (Figura 2)

1. Quite el tapón para transporte de la lumbrera de 1/4"-18 NPTF (A) para manómetros en la parte superior de la válvula de control.
2. Instale un manómetro de 0-1035 bar en la lumbrera (A).
3. Si es necesario, roscar la manguera hidráulica en el puerto de salida de la válvula 3/8"-18 NPTF (B).
4. Conecte una línea de retorno enroscando una manguera en la lumbrera de retorno (C) al tanque.

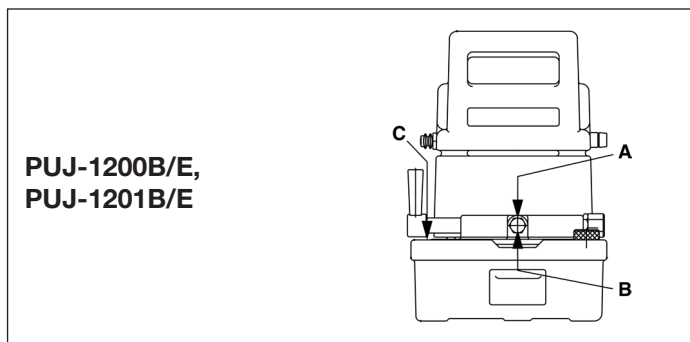


Figura 2

Modelos PUJ-1400B/E, PUJ-1401B/E (Figura 3)

1. Quite el tapón para transporte de la lumbrera de avance (D) de la válvula. Instale un adaptador para manómetros en la lumbrera de avance (D) de 1/4"-18 NPTF.
2. Instale un manómetro de 1035 bar en la lumbrera superior del adaptador para manómetros.
3. Instalar una manguera hidráulica en el puerto del extremo del adaptador de salida del indicador (3/8"-18 NPTF). Conecte la mitad del acoplador instalada en la manguera a la mitad del acoplador instalada en la lumbrera de avance del cilindro. Apriete el collar del acoplador firmemente con la mano. NO USE herramientas para apretar las mitades de los acopladores.
4. Al utilizar un circuito de doble actuación, introducir la manguera en el puerto retraído (E) situado en la válvula de control. Conecte la mitad del acoplador instalada en la manguera a la mitad del acoplador instalada en la lumbrera de retracción del cilindro.

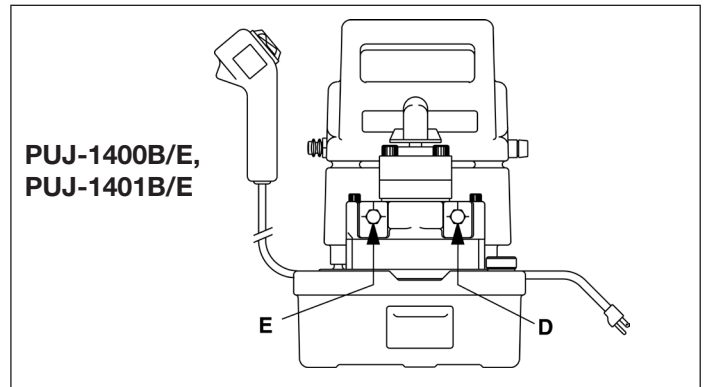


Figura 3

Modelos PUD1100B/E, PUD-1101B/E, PUD1300B/E y PUD1301B/E

1. La manguera entre la bomba y el cilindro se conecta directamente en la conexión (A) de la válvula de control (vea Figura 4).
2. Si se desea instalar un manómetro, debe montarse un adaptador en la conexión (A) de la válvula. Usar un manómetro de 0-700 bar [0-10,000 psi].

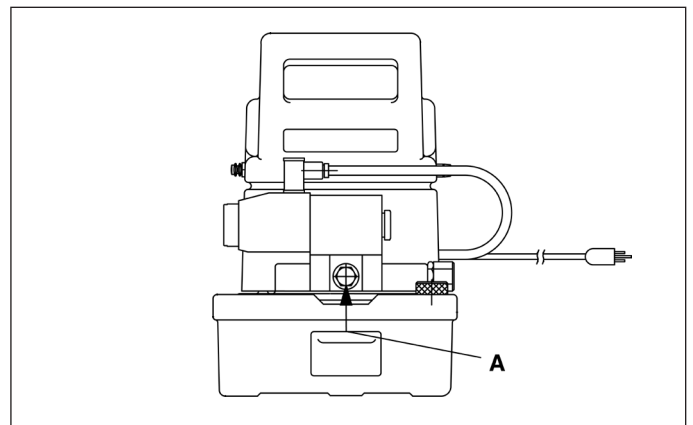


Figura 4

4.2 Secuencia de montaje (Figura 5)

1. Desmontar la placa (n. 1, D43918098).
2. Montar la conexión (n. 2) en la bomba. Nota: Evite dañar las juntas durante la instalación de la conexión.
3. Montar la válvula (n. 3). Nota: Evite dañar las juntas durante la instalación de la conexión.

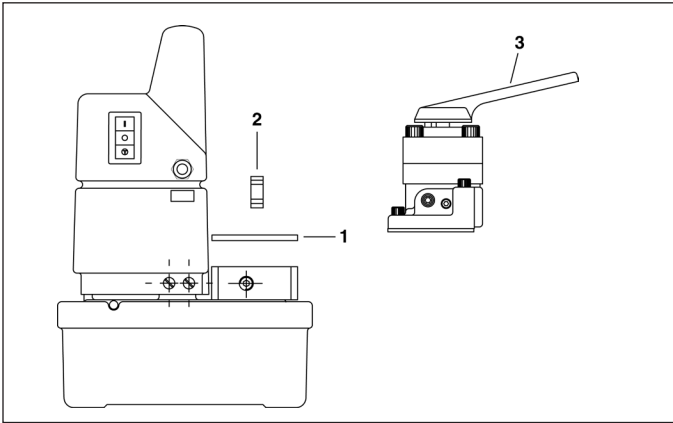


Figura 5

4.3 Adición de aceite (Figura 6)

Para revisar el nivel de aceite, destornille y saque el tapón ventilado de llenado (F). Añada aceite hidráulico Enerpac hasta que el nivel esté a 1 cm por debajo de la abertura de ventilación/llenado.

IMPORTANTE: Añada aceite solamente cuando todos los componentes del sistema estén totalmente retraídos, de lo contrario el sistema contendrá más aceite que el que puede guardarse en el depósito.

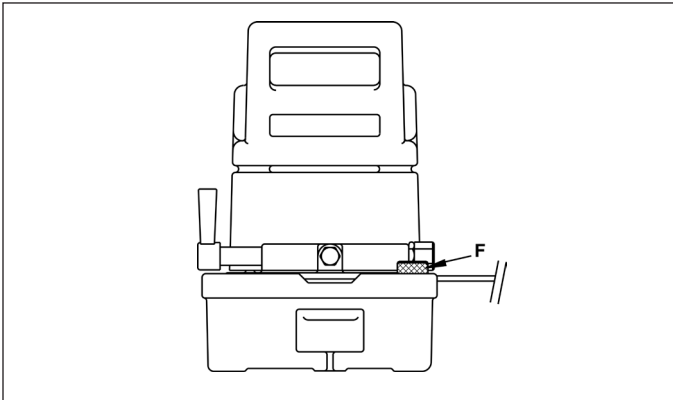


Figura 6

5.0 FUNCIONAMIENTO

NOTA: Para evitar las pérdidas de energía entre el tomacorriente y el motor de la bomba, utilice el cordón de extensión más corto posible. El motor de la bomba puede funcionar con un voltaje bajo, pero su velocidad y caudal de aceite se verán reducidos.

1. Revise todos los adaptadores y conexiones del sistema para asegurarse que estén bien apretados y sin fugas.
2. Revise el nivel de fluido y añada, de ser necesario.
3. Abra el tapón ventilado (F) de la bomba ubicado en la esquina delantera derecha del depósito girándolo 1 ó 2 vueltas completas.



ATENCION: Es necesario abrir el tapón ventilado cuando se pone la bomba en funcionamiento.

5.1 Funcionamiento del interruptor (Figura 7)

El modelo "B" requiere un circuito de alimentación de 15 A, 120 V referido a tierra, monofásico. El modelo "E" requiere uno de 220 V, monofásico. El cordón eléctrico de la bomba mide 1 1/2 m de largo.

1. El interruptor de la bomba está ubicado en el costado de la envuelta de la máquina. Es un interruptor de tres posiciones: la posición superior es la de CONECTADO ("ON"), la central es la de DESCONECTADO ("OFF") y la inferior es la de funcionamiento momentáneo, o "MOM". Al poner el interruptor en la posición de CONECTADO ("ON") se activa el circuito eléctrico pero no se enciende el motor de la bomba. El motor de la bomba se activa con el interruptor del control colgante (G).
2. Al oprimir la porción inferior del interruptor se activa el motor de la bomba mientras se mantenga oprimido el interruptor. Al soltar el interruptor se detiene la bomba. Esta posición de funcionamiento momentáneo se usa como alternativa al uso del control colgante.

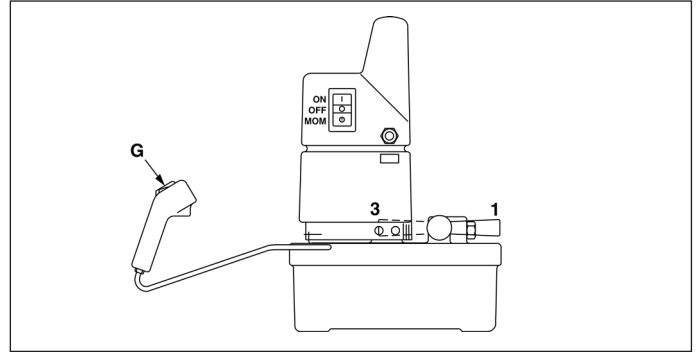


Figura 7

5.2 Válvula de control de la bomba

Modelos PUJ-1200B/E y PUJ-1201B/E (Figura 8)

La válvula de control de la bomba envía el fluido hidráulico a los componentes del sistema hidráulico o lo retorna de éstos. Estos modelos tienen válvulas de 3 vías y 2 posiciones. Las posiciones de la válvula se muestran en la Figura 8:

- 1 - Avance, 3 - Retracción.

Para hacer avanzar el cilindro, coloque la válvula en la posición de avance (1) y oprima el interruptor del control colgante. El cilindro avanzará hasta que se suelte el interruptor del control colgante. Para retraer el cilindro, coloque la válvula en la posición de retracción (3). El cilindro se retraerá, esté o no esté funcionando la bomba.

Modelos PUJ-1400B/E y PUJ-1401B/E

Las válvulas de control de los modelos PUJ-1400B/E y PUJ-1401B/E son de 4 vías y 3 posiciones, para uso con cilindros de doble acción en los cuales las funciones de avance y retracción se activan hidráulicamente. Las posiciones de la válvula se muestran en la Figura 8:

- 1 - Avance, 2 - Retracción, 3 - Punto muerto.

En cada una de las posiciones, el movimiento del cilindro se activa con el control colgante.

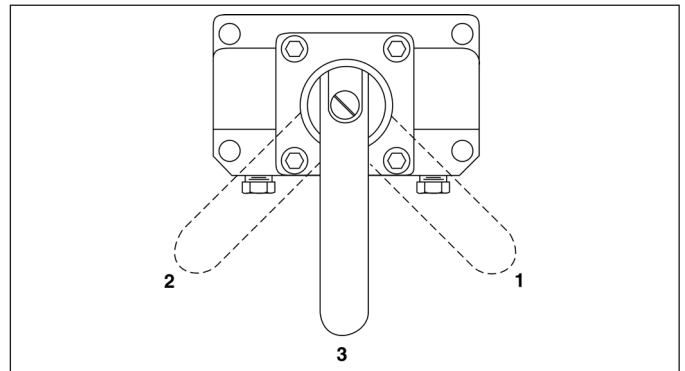


Figura 8

Modelos PUD-1100B/E y PUD-1101B/E

Los modelos PUD-1100B/E y PUD-1101B/E accionan cilindros de acción única en los cuales no se necesita la función de retención. El oprimir el interruptor del control colgante arranca el motor y hace avanzar el cilindro. Cuando se suelta el interruptor, el cilindro se retrae.

Modelos PUD1300B/E y PUD1301B/E

Las bombas PUD1300B/E y PUD1301B/E sirven para accionar cilindros de simple efecto cuando es necesario mantener la carga. Pulsando el botón de avance arranca la bomba y avanza el cilindro.

Soltando el botón de avance se para la bomba y el cilindro retiene la carga con la válvula.

Al pulsar el botón de retracción conmuta la válvula y el cilindro se retrae.

NOTA: Debido a la inercia y a las condiciones de carga el tiempo de parada del motor puede variar, el cilindro puede no detenerse en el momento exacto de soltar el botón. Puede haber un corto movimiento del cilindro mientras el motor para.

5.3 Relé térmico (todos los modelos)

Para proteger la bomba contra los daños, un relé interno apaga el motor si la temperatura del aceite llega a 65 °C. Cuando la temperatura desciende a 54 °C, el relé se reposiciona automáticamente.

5.4 Purga del aire

Cuando se conecta por primera vez el sistema hidráulico, queda aire retenido en los componentes. Para asegurar el funcionamiento suave y seguro, purgue el aire del sistema haciéndolo funcionar por varios ciclos completos sin carga en los cilindros. Cuando los cilindros avanzan y se retraen suavemente, se ha expulsado todo el aire del sistema.



ADVERTENCIA: Para evitar las lesiones personales y los daños al equipo, no continúe presurizando los cilindros después que éstos hayan alcanzado el fin de su carrera o la presión máxima de funcionamiento.

6.0 AJUSTE DE LA VALVULA DE ALIVIO (Figura 9)

La válvula de alivio principal de la bomba es interna y no puede ajustarse. Se ha ajustado en la fábrica para una presión de funcionamiento máxima de 700 bar. Una válvula de alivio externa adicional se encuentra ubicada debajo de una tapa hexagonal en el lado derecho de la bomba. La válvula de alivio externa puede ajustarse de 700 bar a 140 bar. Los límites de presión de funcionamiento pueden reducirse a menos de 700 bar, pero no pueden fijarse a más de 700 bar. (Los modelos PUJ-1400B/E y PUJ-1401B/E no vienen equipados con válvulas de alivio externas ajustables.)

Cómo ajustar la válvula de alivio (Figura 9)

1. Instale un manómetro según se indica en las instrucciones de instalación en la página 31.
2. Instale un tapón en la lumbrera de salida de la válvula.
3. Quite la tapa hexagonal (**H**) que cubre el tornillo de ajuste de la válvula de alivio.
4. Utilice una llave Allen para girar el tornillo de ajuste en sentido contrahorario una vuelta completa.
5. Encienda la bomba y haga funcionar el motor mientras observa la indicación del manómetro para ver la presión máxima. Apague la bomba.
6. Continúe ajustando el tornillo de ajuste hasta obtener la presión deseada.

7. Compruebe el ajuste haciendo funcionar la bomba varias veces. manómetro es la misma cada vez, el ajuste de la válvula es estable.
8. Vuelva a colocar la tapa hexagonal para cubrir el tornillo de ajuste.

NOTA: Para obtener el ajuste más preciso de la válvula de alivio, empezar ajustándola a una presión más baja y aumentar el valor de ajuste hasta la presión de alivio que se desee.

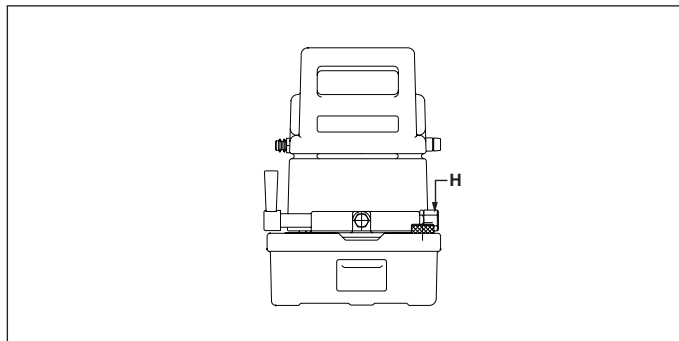


Figura 9



ADVERTENCIA: Para evitar dañar el equipo y causar lesiones personales, no ajuste la presión de funcionamiento a más de 700 bar.

7.0 MANTENIMIENTO

7.1 Revisión del nivel de aceite

Revise el nivel del aceite hidráulico en el depósito cada 40 horas de funcionamiento. Añada aceite según sea necesario hasta que el nivel esté a 1 cm por debajo de la abertura de llenado. Utilice aceite hidráulico Enerpac solamente. Si se usan otros tipos de aceite o fluido se podría dañar el sistema y se anula la garantía de Enerpac.

7.2 Cambio de aceite (Figura 10)

Vacíe totalmente el depósito después de cada 100 horas de funcionamiento. Vuelva a llenar con aceite hidráulico nuevo. Si la bomba se hace funcionar en zonas muy polvorientas o a temperaturas muy altas, cámbielo con más frecuencia.

1. Para vaciar el depósito, quite el tapón ventilado de llenado (**F**) de la esquina superior derecha del depósito.
2. Incline la bomba hasta vaciar todo el aceite viejo.
3. Llène con aceite nuevo a través de la misma abertura. El depósito tiene una capacidad de 2,8 l ó 5,7 l, según el modelo.
4. Vuelva a colocar el tapón de llenado (**F**).

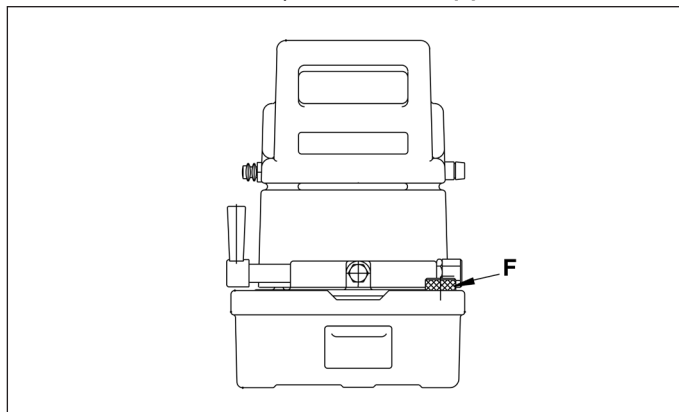


Figura 10

7.3 Limpieza del depósito

El depósito de la bomba puede quitarse para limpiarlo. Si la bomba se usa de modo constante en un lugar polvoriento, limpie el depósito una vez al año.

1. Vacíe el depósito según lo descrito en los pasos 1 y 2 de la sección Cambio de aceite.
2. Quite los seis tornillos que fijan la envuelta al depósito. Levante la envuelta para quitarla del depósito. Un cojín de espuma rodea el motor para mantener los alambres eléctricos alejados de éste. Evite dañar las conexiones de los alambres eléctricos o tirar de ellos, desconectándolos de sus bornes.
3. Quite los ocho tornillos que fijan la bomba al depósito.
4. Limpie el depósito a fondo con un solvente apropiado. Use un cepillo de cerdas suaves para limpiar los dos tamices recolectores.
5. Vuelva a armar la bomba y el depósito, instalando una empaquetadura nueva. Coloque la envuelta sobre el motor con su manija hacia el lado de la válvula de la bomba. Instale los seis tornillos de montaje y las arandelas de seguridad interiores/exteriores.

Si la bomba requiere reparación, diríjase al centro de servicio autorizado Enerpac de su zona.

7.4 Cepillos del motor

Comprobar los cepillos del motor eléctrico, al menos, una vez cada dos años. En el caso de bombas con aplicaciones de mucho uso, comprobar los cepillos al menos una vez cada seis meses.



PELIGRO: Para evitar posibles electrocuciones, la bomba debe desconectarse completamente de la alimentación eléctrica antes de realizar trabajos de mantenimiento en las escobillas.

8.0 SOLUCIÓN DE PROBLEMAS (véase el cuadro)

El cuadro de solución de problemas está diseñado para ser una guía que le ayuda a identificar y corregir los posibles problemas con la bomba.

CUADRO DE SOLUCIÓN DE PROBLEMAS

Problema	Causa posible	Solución
La bomba no arranca	Falta de alimentación. Voltaje incorrecto.	Revise la fuente de alimentación eléctrica. Revise las especificaciones de voltaje en la página 30.
El cilindro no avanza ni se retrae.	Bajo nivel de fluido. Tamiz de entrada obstruido. Válvula en posición incorrecta. Falla de la válvula.	Llene el depósito hasta el nivel apropiado. Limpie o reemplace el tamiz de entrada. Coloque la válvula en la posición de presión. Solicite a un técnico competente en sistemas hidráulicos que repare la bomba.
El cilindro avanza o se retrae de modo irregular.	Aire en el sistema. Fuga externa en el sistema. Fuga interna de fluido hidráulico.	Purgue el aire del sistema abriendo y cerrando la herramienta hasta que funcione de modo uniforme. Apriete las conexiones que tienen fuga. Reemplace las mangueras o adaptadores que estén dañados. Solicite a un técnico competente en sistemas hidráulicos que repare la bomba.
La bomba no mantiene la presión.	Fuga externa de fluido hidráulico. Fuga interna de fluido hidráulico.	Apriete las conexiones que tienen fuga. Reemplace las mangueras o adaptadores que estén dañados. Solicite a un técnico competente en sistemas hidráulicos que repare la bomba.
Bajo caudal de salida.	Bajo nivel de fluido. Fugas en componentes de la bomba. Avería de la válvula de derivación. Tamices de entrada de fluido en los bloques de émbolos podrían estar obstruidos.	Llene el depósito hasta el nivel apropiado. Someta el sistema a pruebas para identificar las fugas. Solicite a un técnico competente en sistemas hidráulicos que repare la bomba. Inspeccione los tamices de entrada. Enjuague los componentes para quitarles los contaminantes. Reemplace los componentes dañados.

Sólo técnicos hidráulicos cualificados deben solucionar los problemas y reparar la bomba. Para servicio de reparación, contactar el centro de servicio técnico autorizado de Enerpac de su zona.

8.1 Interruptor automático (bombas con código de fecha “F” y posteriores)

En caso de una sobrecarga eléctrica, se disparará el interruptor automático de la bomba. Después de analizar y corregir la fuente de la sobrecarga, pulsar el botón del interruptor automático para su reajuste.

8.2 Fusibles (bombas con código de fecha “F” y posteriores)

Fusibles internos protegen los circuitos principales y secundarios del transformador de control. Si un fusible se funde, analizar y corregir la fuente de la falla. Luego, sustituir el fusible por un fusible nuevo correspondiente. Para conocer los fusibles correspondientes, consultar la hoja de piezas de recambio del modelo de su bomba.



ADVERTENCIA: Desconectar siempre la energía eléctrica antes de sustituir un fusible.

9.0 TESTÁNDARES DE PRUEBA

9.1 Asociación canadiense de estándares (CSA)

Cuando así se especifique, las bombas deben cumplir con los requisitos de prueba y de diseño de la CSA, la Asociación canadiense de estándares (consultar CAN/CSA — C22.2 n.º 68-92, dispositivos motores).

9.2 Conformité Européene (CE)

Cuando así se especifique, se debe proporcionar una declaración de conformidad de la EC y marcado CE del producto. Estos productos se ajustan a los estándares europeos EN982:1996, EN1050:1998 y EN-ISO-12100-1&2:2003 y a las directivas de EC 2006/42/EC, 97/23/EC, 2004/108/EC, 2006/95/EC y 97/23/EC.

L2062 Rev. I 02/21

NL

1.0 BELANGRIJKE INSTRUCTIES BIJ ONTVANGST

Controleer visueel alle onderdelen op schade opgelopen tijdens de verzending. Schade opgelopen tijdens de verzending wordt niet door de garantie gedekt. Als schade opgelopen tijdens de verzending wordt gevonden, de transporteur hier onmiddellijk van op de hoogte stellen. De transporteur is verantwoordelijk voor alle reparatie- of vervangingskosten als gevolg van opgelopen schade tijdens de verzending.

VEILIGHEID VOOROP

2.0 VEILIGHEIDSKWESTIES



Lees nauwkeurig alle instructies, waarschuwingen en let op-gedeelten. Volg alle veiligheidsvoorzieningen om persoonlijk letsel of schade aan eigendom te voorkomen als het systeem in werking is. Enerpac kan niet verantwoordelijk worden gesteld voor schade of letsels als gevolg van onveilig gebruik van dit product, gebrek aan onderhoud, of onjuiste toepassing van het product of het systeem. Neem contact op met Enerpac mocht u twijfels hebben over veiligheidsvoorzieningen en werkingen. Als u niet bent getraind in veilig werken met hydraulisch hogedrukgereedschap, neem dan contact op met uw distributeur of servicecentrum voor een Enerpac-cursus over hydraulische veiligheid.

Het niet volgen van deze waarschuwingsboodschappen en voorzorgsmaatregelen kan schade aan de machine en persoonlijk letsel veroorzaken.

LET OP wordt gebruikt om correcte bedienings- en onderhoudsprocedures en praktijken aan te duiden om schade aan, of vernietiging van, machines of andere eigendom te voorkomen.

WAARSCHUWING wijst op een mogelijk gevaar dat de juiste procedures en praktijken vereist om persoonlijk letsel te voorkomen.

GEVAAR wordt enkel gebruikt als uw actie of gebrek aan actie ernstig letsel of zelfs de dood tot gevolg kan hebben.



WAARSCHUWING: Draag de juiste persoonlijke beschermende kleding bij het werken met hydraulische machines.



WAARSCHUWING: Blijf uit de buurt van ladingen die hydraulisch worden ondersteund. Een cilinder die wordt gebruikt als een hefinrichting mag nooit worden gebruikt als een lasthouder. Nadat de lading omhoog of omlaag is gebracht, moet deze altijd mechanisch worden geblokkeerd.



WAARSCHUWING: GEBUIK ENKEL STIJVE MATERIALEN OM DE LADINGEN VAST TE HOUDEN. Kies met zorg stalen of houten blokken die een lading kunnen ondersteunen. Gebruik nooit een hydraulische cilinder als een pakkingschijf of een afstandstuk in enige toepassing waarbij opheffen of drukken wordt gebruikt.



GEVAAR: Om persoonlijk letsel te voorkomen, handen en voeten weghouden van de cilinder en het werkstuk tijdens de bediening.



WAARSCHUWING: Niet de nominale waarden van de machines overschrijden. Probeer nooit om een lading op te heffen die meer weegt dan de capaciteit van de cilinder. Overladen veroorzaakt falen van de machine en mogelijk persoonlijk letsel. De cilinders zijn ontworpen voor een maximale druk van 700 bar. Geen vijzel of cilinder op een pomp aansluiten die een hogere drukwaarde heeft.



Nooit de ontlastklep instellen op een hogere druk dan de maximaal nominale druk van de pomp. Hogere instellingen kunnen schade aan de machine en/of persoonlijk letsel tot gevolg hebben.



WAARSCHUWING: De bedieningsdruk van het systeem mag de nominale drukwaarde van het onderdeel met de laagste waarde in het systeem niet overschrijden. Installeer drukmeters in het systeem om de bedieningsdruk te controleren. Op die manier weet u wat er in het systeem gebeurt.



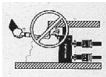
LET OP: De hydraulische slang niet beschadigen. Vermijd ombuigen en knikken bij het aanbrengen van de hydraulische slangen. Een gebogen of geknikte slang gebruiken kan ernstige tegendruk van de afvoerstream veroorzaken. Scherpe ombuigingen en knikken beschadigen de slang aan de binnenkant wat tot vroegtijdig falen van de slang kan leiden.



Geen zware objecten op de slang laten vallen. Een scherpe impact kan interne schade aan de draadvezels van de slang veroorzaken. Druk uitoefenen op een slang die beschadigd is, kan scheuren van de slang tot gevolg hebben.



BELANGRIJK: Hydraulische machines niet bij de slangen of de wartelkoppelingen opheffen. Gebruik de draaghandgreep of een ander middel om de machine veilig te transporteren.



LET OP: Houd de hydraulische machine weg van vlammen en hitte. Buitenmatige hitte verzacht de pakkingen en afdichtingen wat tot vloeistoflekken kan leiden. Hitte verzwakt ook slangmaterialen en pakkingen. Voor optimale prestaties de machines niet blootstellen aan temperaturen van 65°C [150°F] of hoger. Bescherm slangen en cilinders tegen lasspetters.



GEVAAR: Slangen die onder druk staan, niet aanraken.

Als olie die onder druk staat ontsnapt, kan het door de huid dringen wat ernstige letsel kan veroorzaken. Als olie onder de huid wordt geïnjecteerd, onmiddellijk een arts raadplegen.



WAARSCHUWING: Gebruik hydraulische cilinders enkel in een aangesloten systeem. Nooit een cilinder gebruiken met koppelingen die niet aangesloten zijn. Als de cilinder uiterst overladen is, kunnen onderdelen op een catastrofische manier falen wat ernstig persoonlijk letsel kan veroorzaken.

Als de cilinder uiterst overladen is, kunnen onderdelen op een catastrofische manier falen wat ernstig persoonlijk letsel kan veroorzaken.



WAARSCHUWING: Zorg dat de apparatuur stabiel is opgezet alvorens lasten te heffen. De cilinder dient op een vlakke ondergrond geplaatst te worden die de last kan dragen. Gebruik waar mogelijk een ondersteuning voor de cilinder voor extra stabiliteit. De cilinder mag niet gelast of op een andere manier aangepast worden voor het bevestigen van een voetstuk of andere ondersteuning.



Vermijd situaties, waarbij de last niet aangrijpt in het hart van de cilinderplunjer. Niet-centrisch aangrijpende lasten veroorzaken aanzienlijke spanningen in de cilinder en de plunjer. Bovendien kan de last wegglijden of vallen, wat tot gevaarlijke situaties leidt.



Verdeel de last gelijkmatig over het gehele zadeloppervlak. Gebruik altijd een zadel om de plunjer te beschermen, wanneer geen hulpstukken met schroefdraad worden gebruikt.



BELANGRIJK: Hydraulische machines mogen enkel door een bevoegd hydraulisch technicus van onderhoud worden voorzien. Voor reparaties dient u contact op te nemen met een nabijgelegen bevoegd ENERPAC servicecentrum. Om uw garantie te beschermen, enkel ENERPAC olie gebruiken.



WAARSCHUWING: Versleten of beschadigde onderdelen onmiddellijk met authentieke ENERPAC onderdelen vervangen. Standaardonderdelen breken, wat tot persoonlijk letsel en schade aan eigendom kan leiden. ENERPAC onderdelen zijn zodanig ontworpen dat ze precies passen en hoge ladingen kunnen weerstaan.

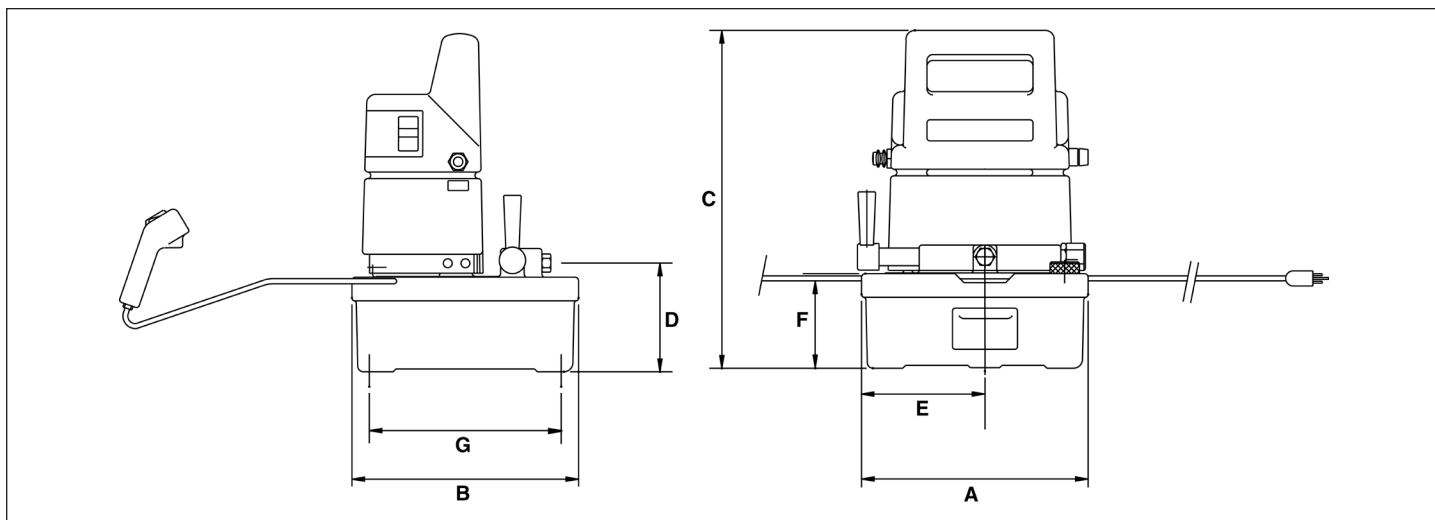


VOORZICHTIG: Controleer de specificaties en de gegevens op het motorfabrikantenplaatje. Het gebruik van een onjuiste voeding beschadigt de motor.

3.0 SPECIFICATIES

	“B” modellen	“E” modellen
Bedrijfsdruk	0 - 700 bar	
Elektrische voeding	15 A 120 V geaard 1 fase 50/60 Hz	10 A 220 V 1 fase 50/60 Hz
Motorvermogen	0,37 kW Universal, 9 A bij 700 bar en toerental van 12.000 werkt op 60-125 V 85-89 dBa	0,37 kW Universal, 4 A bij 700 bar en toerental van 12.000, 85-89 dBa
Opbrengst	3,3 l/min bij 0 bar tot 14 bar; 0,33 l/min bij 700 bar	
Maximale bedrijfstemperatuur	65°C	

Modelnr.	Gebruikt met cilinder	Kleptype	Bruikbare olie-inhoud	Gewicht
PUD-1100B/E	enkelwerkend	Stortklep	2,00 l	14 kg
PUD-1101B/E			3,79 l	20 kg
PUD-1100B/E	enkelwerkend	Ontlasten/Vasthouden	2,00 l	14 kg
PUD-1101B/E			3,79 l	20 kg
PUJ-1200B/E	enkelwerkend	3-weg klep met 2 standen	2,00 l	12 kg
PUJ-1201B/E			3,79 l	18 kg
PUJ-1400B/E	dubbelwerkend	4-weg klep met 3 standen	2,00 l	15 kg
PUJ-1401B/E			3,79 l	20 kg



Afbeelding 1

Afmetingen cm								
Modellen	A	B	C	D	E	F	G	H
PUD-1100B/E, PUD-1300B/E, PUJ-1200B/E, PUJ-1400B/E	24,43	24,43	36,20	11,99	13,34	10,16	20,62	1,90
PUD-1101B/E, PUD-1301B/E, PUJ-1201B/E, PUJ-1401B/E	30,94	36,83	10,54	13,00	14,27	10,54	32,43	1,57

* Afmeting "D" op de PUJ-1400B/E is 15,7 cm en op de PUJ-1401B/E is 16,7 cm

4.0 INSTALLATIE

4.1 Hydraulische aansluitingen

Wikkel alleen rond alle schroefdraden anderhalve slag Teflon-band (of geschikt schroefafdichtmiddel) en houd de eerste volledige gang vrij om te voorkomen dat er stukjes band afbreken en in het hydraulische systeem terecht komen. Knip losse einden af.



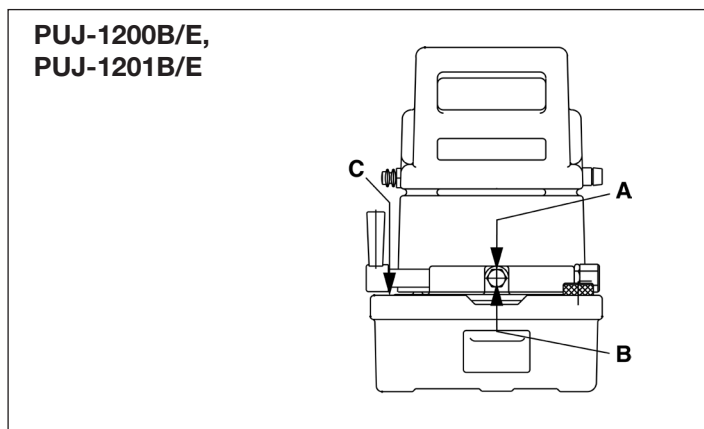
WAARSCHUWING: Voorkom knikken of scherpe bochten in slangen om zeker te zijn van een goede werking. Als een slang geknikt of op andere wijze beschadigd raakt, moet hij vervangen worden. Een beschadigde slang kan onder hoge druk barsten en daardoor persoonlijk letsel veroorzaken.

Modellen PUJ-1200B/E en PUJ-1201B/E (Afbeelding 2)

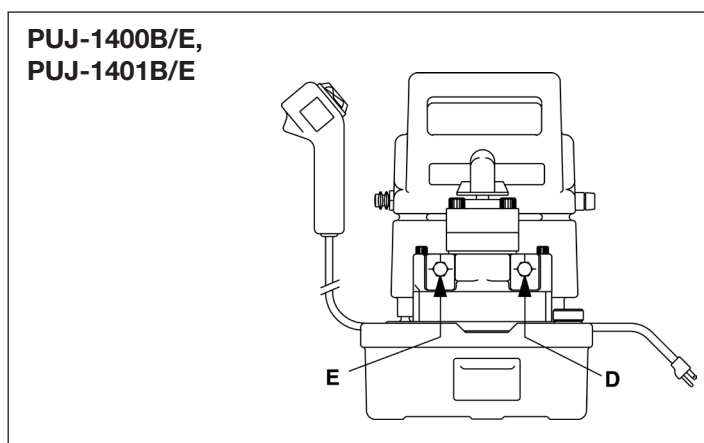
1. Verwijder de transportstop uit de 1/4"-18 NPTF manometerpoort (A) bovenop de regelklep.
2. Monteer een manometer voor 0-1035 bar in de manometerpoort (A).
3. Schroef de hydraulische slang, indien nodig, in de uitlaatpoort van de 3/8"-18 NPTF klep (B).
4. Sluit een terugvoerleiding aan door een slang in de terugvoeraansluiting van tankpoort (C) te draaien.

Modellen PUJ-1400B/E en PUJ-1401B/E (Afbeelding 3)

1. Verwijder de transportstop uit de klepuitschuifpoort (D). Monteer een manometeradapter in de 3/8"-18 NPTF uitschuifpoort (D).
2. Monteer een manometer voor 1035 bar in de bovenste poort van de manometeradapter.
3. Sluit een hydraulische slang aan op eindpoort van de meteradapter (3/8"-18 NPTF). Sluit de slangkoppelingheft aan op de koppelingheft voor het uitschuiven van de cilinder. Draai de koppelingsluitring stevig met de hand vast. Gebruik GEEN gereedschap om de koppelingheften vast te draaien.
4. Indien u een dubbelwerkend circuit gebruikt, sluit de slang dan aan op de poort voor intrekken (E) op de regelklep.



Afbeelding 2



Afbeelding 3

PUD1100B/E, PUD-1101B/E, PUD1300B/E en PUD1301B/E modellen

1. De hydraulische slang kan direct in de drukpoort (A) van het stuurventiel gemonteerd worden (see figuur 4).
2. Als u de systeem druk wilt controleren dient u een manometer-tussenstuk in de drukpoort (A) van het stuurventiel te monteren. Sluit de 700 bar / 10000 psi manometer op het manometer-tussenstuk. Monteer de hydraulische slang op het manometer-tussenstuk.

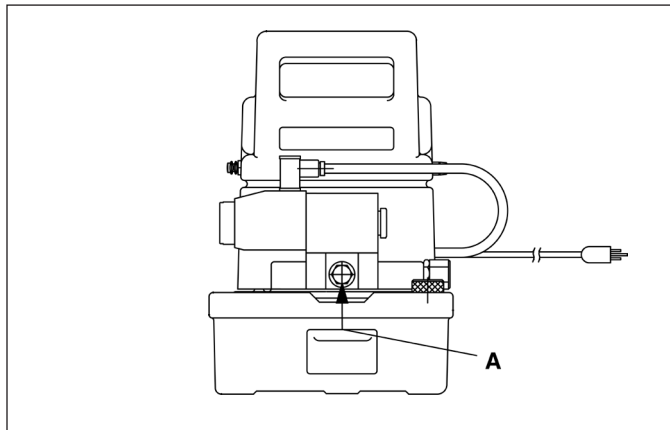
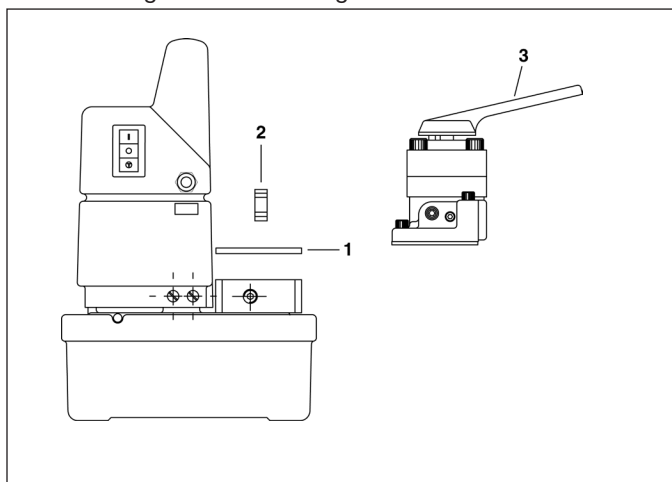


Figure 4

4.2 Montage van de klep (Figuur 5)

1. Verwijder de plaat (item D43918098).
2. Controleer of de connector op de pomp is aangesloten. Is dit niet het geval, sluit de connector dan aan en wees daarbij voorzichtig dat u de afdichtingen niet beschadigt.
3. Monteer de klep en wees daarbij voorzichtig dat u de afdichtingen niet beschadigt.

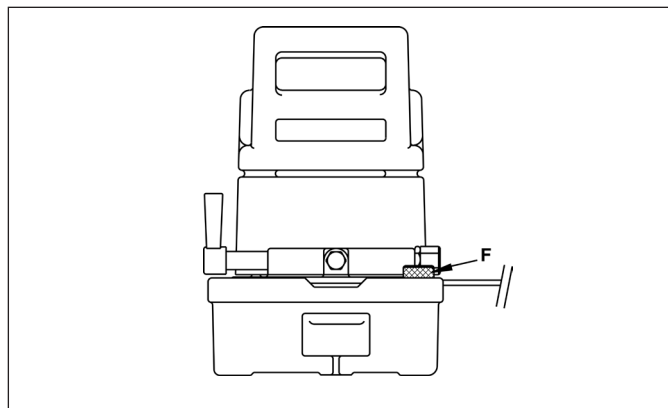


Afbeelding 5

4.3 Olie bijvullen (Afbeelding 6)

Controleer het oliepeil door de ontluuchtings/vulstop (F) los te schroeven en te verwijderen. Vul Enerpac hydrauliekolie bij totdat het oliepeil zich 1 cm onder de ontluuchtings/vulopening bevindt.

BELANGRIJK: Vul alleen olie bij met alle systeemonderdelen in de volledig ingeschoven stand, anders komt er meer olie in het systeem dan het reservoir kan bevatten.



Afbeelding 6

5.0 WERKING

OPMERKING: Gebruik een zo kort mogelijk verlengsnoer om vermogensverlies tussen het stopcontact en de pompmotor te voorkomen. De pompmotor werkt wel op lage spanning, maar het motortoerental en de oliedoorstroming worden dan minder. Controleer of alle koppelingen en aansluitingen van het systeem goed vast zitten en niet lekken. Controleer het vloeistofpeil en vul zonodig vloeistof bij. Open de pompontluuchtingsstop (F) die zich rechts voor op het reservoir bevindt, door hem 1 of 2 volledige slagen te draaien.

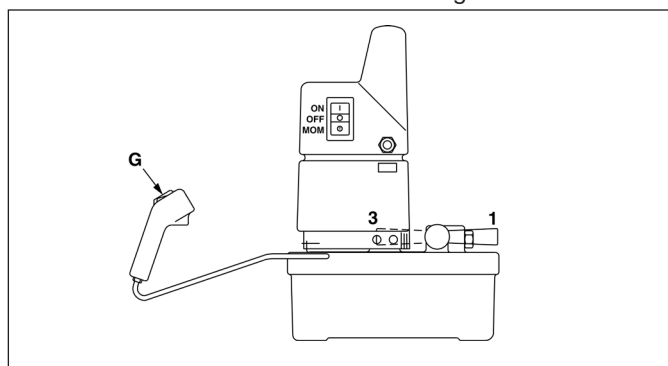


VOORZICHTIG: De ontluuchtingsstop moet altijd open staan wanneer de pomp loopt.

5.1 Bediening van de schakelaar (Afbeelding 7)

De versie "B" vereist een geaard stroomcircuit van 15 A, 120 V en 1 fase. De versie "E" vereist 220 V en 1 fase. Het netsnoer van de pomp is 1,5 m lang.

1. De schakelaar van de pomp bevindt zich aan de zijkant van de omkasting. Het is een driestandenschakelaar, de bovenste stand is "ON" ("AAN"), de middelste "OFF" ("UIT") en de onderste is kortstondig aan "MOM" ("KORT"). Het indrukken van de bovenste stand, "ON" ("AAN"), bekrachtigt het elektrische circuit, maar zet de motor van de pomp niet aan. De motor van de pomp wordt door de snoerschakelaar (G) bekrachtigd.
2. Het indrukken van het onderste gedeelte van de schakelaar zet de motor van de pomp in werking zolang als de schakelaar ingedrukt wordt gehouden. De pomp stopt als de schakelaar wordt losgelaten. Deze kortstondige stand wordt gebruikt als een alternatief voor de snoerbediening.



Afbeelding 7

5.2 Regelklep van pomp

Modellen PUJ-1200B/E en PUJ-1201B/E

De regelklep van de pomp stuurt hydrauliekvloeistof van en naar de componenten van het systeem. Deze modellen hebben 3-weg kleppen met 2 standen. De klepstanden vindt u in afbeelding 8:

1 - Uitgeschoven 3 - Ingeschoven.

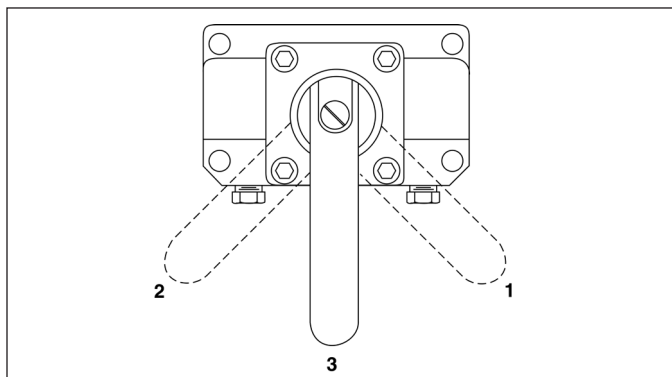
Breng voor het uitschuiven van de cilinder de klep in de uitgeschoven stand (1) en druk de snoerschakelaar in. De cilinder schuift nu uit totdat de snoerschakelaar wordt losgelaten. Breng voor het inschuiven van de cilinder de klep in de ingeschoven stand (3). De cilinder schuift nu in terwijl of zonder dat de pomp loopt.

Modellen PUJ-1400B/E en PUJ-1401B/E (Afbeelding 8)

De regelkleppen op pompen PUJ-1400B/E en PUJ-1401B/E zijn 4-weg kleppen met 3 standen voor gebruik met dubbelwerkende cilinders waarbij het in- en uitschuiven hydraulisch aangedreven worden. De klepstanden vindt u in afbeelding 8:

1 - Uitgeschoven 2 - Ingeschoven 3 - Neutraal.

In elke stand wordt de beweging van de cilinder geregeld door de snoerschakelaar.



Afbeelding 8

Modellen PUD-1100B/E en PUD-1101B/E

De PUD-1100B/E en PUD-1101B/E werken met enkelwerkende cilinders waarbij de wachtfunctie niet nodig is. Het indrukken van de snoerschakelaar start de motor en maakt dat de cilinder uitschuift. Wanneer de schakelaar wordt losgelaten, schuift de cilinder in.

PUD1300B/E en PUD1301B/E modellen

Deze pompuitvoeringen worden gebruikt wanneer een vasthoud functie vereist is bij toepassing van enkelwerkende cilindres.

1. Druk de ADVANCE knop in om de pomp te starten en de plunjer uit te sturen.
2. Laat de advance knop los om de last vast te houden.
3. Druk de RETRACT knop in om de plunjer terug te laten lopen.

OPMERKING: Afhankelijk van de belasting kan de stoptijd van de motor variëren – de plunjer kan nog even uitlopen zodra de advance knop wordt losgelaten.

5.3 Thermisch relais (alle modellen)

Om de pomp tegen schade te beschermen schakelt een inwendige relaisschakelaar de motor uit wanneer de olietemperatuur 65° C bereikt. Wanneer de temperatuur tot 54° C daalt, reset het relais hem automatisch.

5.4 Ontluchten

Wanneer het hydraulieksysteem voor de eerste keer aangesloten wordt, zit er lucht opgesloten in de componenten. Ontlucht het systeem om een soepele, bedrijfszekere werking te verzekeren door het systeem een aantal volledige cycli te laten doorlopen zonder de cilinders te belasten. Wanneer de cilinders zonder haperen uit- en inschuiven, is het systeem ontlucht.



WAARSCHUWING: Ga niet door met het verhogen van de druk in de cilinders nadat deze maximaal uit- of ingeschoven zijn of de maximale bedrijfsdruk bereikt hebben, om letsel en schade aan de apparatuur te voorkomen.

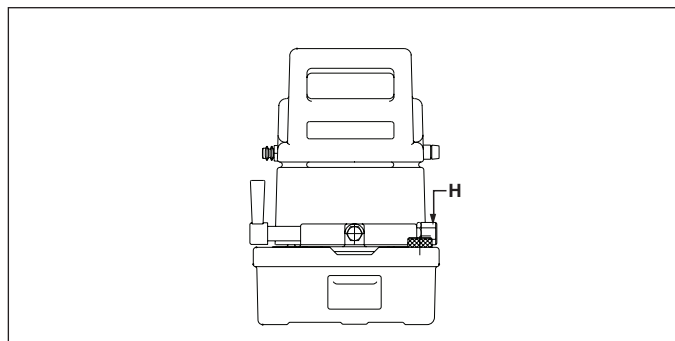
6.0 ONTLASTKLEP AFSTELLEN

De hoofdontlastklep van de pomp bevindt zich, binnenin de pomp, is niet instelbaar en is op de fabriek ingesteld op een maximale bedrijfsdruk van 700 bar. Een extra uitwendige ontlastklep bevindt zich onder een zeskantdop aan de rechterkant van de pomp. De uitwendige ontlastklep is instelbaar van 700 bar tot 140 bar. De bedrijfsdrukgrenzen kunnen teruggebracht worden tot onder de 700 bar, maar niet boven de 700 bar. (De modellen PUJ-1400B/E en PUJ-1401B/E zijn niet uitgerust met uitwendige, instelbare ontlastkleppen.)

6.1 Ontlastklepinstelling afstellen (Afbeelding 9)

1. Monteer een manometer zoals aangegeven in de montage instructies op pagina 38.
2. Monteer een stop in de klepuitlaatpoort.
3. Verwijder de zeskantdop (H) die de stelbout van de ontlastklep afdekt.
4. Draai de stelbout met een inbussleutel één volle slag tegen de klok in.
5. Zet de pomp "AAN" en laat de motor van de pomp lopen terwijl u de manometerstand voor de maximumdruk in de gaten houdt. Stop de pomp.
6. Ga door met het afstellen van de instelling totdat de gewenste druk verkregen is.
7. Controleer de instelling door de pomp een aantal keren te laten lopen. Indien de manometerstand elke keer hetzelfde is, is de klepinstelling stabiel.
8. Plaats de zeskantdop terug om de stelbout af te dekken.

OPMERKING: Om de nauwkeurigste ontlastklepinstelling te verkrijgen moet u op een lagere druk beginnen en deze steeds hoger instellen tot de gewenste ontlastklepinstelling is verkregen



Afbeelding 9



WAARSCHUWING: Probeer niet de maximale bedrijfsdruk van 700 bar te overschrijden om schade aan de apparatuur en persoonlijk letsel te voorkomen.

7.0 ONDERHOUD

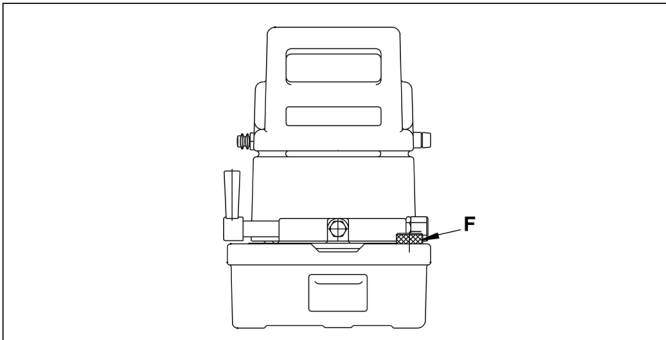
7.1 Oliepeil controleren

Controleer het hydrauliekoliepeil in het reservoir om de 40 bedrijfsuren. Vul zonodig olie bij om het peil tot 1 cm onder de vulopening te brengen. Gebruik uitsluitend Enerpac hydrauliekolie. Het gebruik van andere oliën of vloeistoffen kan schade aan uw systeem toebrengen en doet uw Enerpac garantie vervallen.

7.2 Olie verversen (Afbeelding 10)

Tap het reservoir om de 100 bedrijfsuren volledig af. Vul het opnieuw met nieuwe hydrauliekolie. Als de pomp in een zeer stoffige omgeving of bij hoge temperaturen wordt gebruikt, ververs de olie dan vaker.

1. Neem voor het aftappen van het reservoir de ontluuchtings/vulstop (F) rechts boven uit het reservoir.
2. Kantel de pomp totdat alle oude olie weggelopen is.
3. Vul hem door dezelfde opening met nieuwe olie. De inhoud van het reservoir is 2,8 l of 5,7 l, afhankelijk van het model.
4. Plaats de vulstop (F) terug.



Afbeelding 10

7.3 Reservoir schoonmaken

Het reservoir van de pomp kan verwijderd worden om het schoon te maken. Als de pomp voortdurend in een zeer stoffige omgeving wordt gebruikt, moet het reservoir eenmaal per jaar schoongemaakt worden.

1. Tap het reservoir af zoals beschreven in stap 1 en 2 van "Olie verversen".
2. Verwijder de zes bouten waarmee de omkasting aan het reservoir bevestigd is. Til de omkasting van het reservoir af. Rondom de motor bevindt zich een schuimbuffer om elektriciteitsdraden uit de buurt van de motor te houden. Wees voorzichtig dat u de aansluitpunten niet beschadigt of draadverbindingen ervanaf trekt.
3. Verwijder de acht bouten waarmee de pomp op het reservoir bevestigd is. Til de pomp van het reservoir af en verwijder de pakking.
4. Maak het reservoir grondig schoon met een geschikt oplosmiddel.
5. Zet de pomp en het reservoir weer in elkaar; gebruik daarbij een nieuwe pakking. Breng de omkasting op zijn plaats over de motor, met het omkastingshendel naar de klepzijde van de pomp gericht. Breng de zes montagebouten en inwendige en uitwendige borgsluitringen aan. Als reparaties aan de pomp nodig zijn, neem dan contact op met een plaatselijk erkend Enerpac servicecentrum.

7.4 Motorborstels

Controleer de motorborstels van de elektrische motoren ten minste eens in de twee jaar. Voor pompen in zwaar belaste toepassingen, dient men de borstels ten minste één maal om de zes maanden te controleren.



GEVAAR: Om mogelijke elektrische schokken te voorkomen, en voordat er onderhoud aan de borstels wordt uitgevoerd, moet de pomp volledig van de netspanning losgekoppeld zijn.

8.0 PROBLEMEN OPLOSSEN (ZIE DIAGRAM)

Het Probleemdiagram is bedoeld als hulp bij het stellen van een diagnose en bij het corrigeren van diverse pompproblemen die zich kunnen voordoen.

Enkel gekwalificeerde hydraulicatechnici mogen pompproblemen oplossen of onderhoud plegen aan de pompen. Voor reparatieonderhoud neemt u contact op met uw plaatselijke bevoegde Enerpac Servicecentrum.

8.1 Stroomonderbreker (Pompen met datumcode "F" en later)

Indien er zich een elektrische overbelasting voordoet, zal de stroomonderbreker automatisch uitvallen. Na de oorzaak van de overbelasting te hebben opgespoord en te hebben verholpen, dient men de knop van de stroomonderbreker in de reset-positie te duwen.

8.2 Zekeringen (Pompen met datumcode "F" en later)

Interne zekeringen beschermen de primaire en secundaire schakelingen van de controletransformator. Indien een zekering springt, dient men de oorzaak op te sporen en te verhelpen. Vervang vervolgens de gesprongen zekering door een nieuwe zekering van de correcte sterkte. Voor de sterkten van zekeringen wordt verwezen naar het Blad met de Herstelonderdelen dat bij uw pompmodel hoort.



WAARSCHUWING: Schakel steeds de elektrische voeding uit alvorens zekeringen te vervangen.

9.0 TESTSTANDAARDEN

9.1 Canadian Standards Association (CSA)

Waar aangegeven, dienen de pompopstellingen te voldoen aan de ontwerp- en testvereisten van de CSA, de Canadian Standards Association (Zie CAN/CSA — C22.2 Nr. 68-92, Motor operated appliances).

9.2 Europese Gelijkvormigheid (Conformité Européene - CE)

Waar aangegeven, wordt een Europees Gelijkvormigheidstest en een CE-productmerkteken voorzien. Deze producten voldoen aan de Europese Normen EN982:1996, EN1050:1998 en EN-ISO-12100-1&2:2003, alsook aan de Europese Richtlijnen 2006/42/EC, 97/23/EC, 2004/108/EC, 2006/95/EC en 97/23/EC.

PROBLEEMDIAGRAM

Probleem	Mogelijke oorzaak	Oplossing
<p>Pomp start niet.</p> <p>Cilinder schuift niet uit of in.</p>	<p>Geen stroom.</p> <p>Verkeerde spanning.</p> <p>Vloeistofniveau te laag.</p> <p>Inlaatzeef verstopt.</p> <p>Klep in verkeerde stand.</p> <p>Klepstoring.</p>	<p>Controleer voeding.</p> <p>Controleer spanningsspecificaties op pagina 36.</p> <p>Vul reservoir tot juiste peil.</p> <p>Reinig of vervang inlaatzeef.</p> <p>Schakel klep in drukstand.</p> <p>Laat pomp door erkend hydrauliektechnicus repareren.</p>
<p>Cilinder schuift onregelmatig uit en in.</p>	<p>Lucht in systeem.</p> <p>Uitwendig lek in systeem.</p> <p>Inwendig hydraulieklek.</p>	<p>Ontlucht het systeem door het gereedschap open en dicht te draaien totdat het soepel werkt.</p> <p>Dicht lekkende aansluitingen. Vervang alle beschadigde slangen en fittingen.</p> <p>Laat pomp door erkend hydrauliektechnicus repareren.</p>
<p>Pomp blijft niet op druk.</p>	<p>Uitwendig hydraulieklek.</p> <p>Inwendig hydraulieklek.</p>	<p>Dicht lekkende aansluitingen. Vervang alle beschadigde slangen en fittingen.</p> <p>Laat pomp door erkend hydrauliektechnicus repareren.</p>
<p>Te lage vloeistofopbrengst.</p>	<p>Vloeistofniveau te laag.</p> <p>Pomponderdelen lekken.</p> <p>Omloopklep defect.</p> <p>Vloeistofinlaatzeven op zuigerblokken kunnen met deeltjes verstopt zijn.</p>	<p>Vul het reservoir tot het juiste peil.</p> <p>Test ze om lekken op te sporen.</p> <p>Laat pomp door erkend hydrauliektechnicus repareren.</p> <p>Inspecteer inlaatzeven. Spoel verontreiniging uit alle componenten. Vervang alle beschadigde componenten.</p>

L2062 Rev. I 02/21 PT

1.0 INSTRUÇÕES IMPORTANTES NO RECEBIMENTO

Inspecione visualmente todos os componentes verificando se houve avarias durante o transporte. Avarias no transporte não são cobertas pela garantia. Caso haja avarias no transporte, avise o transportador imediatamente. O transportador é responsável por todos os custos de consertos e substituições decorrentes de avarias ocorridas no transporte.

SEGURANÇA EM PRIMEIRO LUGAR

2.0 ASSUNTOS DE SEGURANÇA



Leia cuidadosamente todas as instruções, advertências e avisos sobre precaução. Siga todas as recomendações de segurança para evitar lesões pessoais ou danos à propriedade durante a operação do sistema. Enerpac não pode ser responsável por danos ou lesões pessoais resultantes do uso indevido do produto, falta de manutenção ou operação inadequada do produto e/ou sistema. Entre em contato com Enerpac quando houver dúvidas sobre as recomendações de segurança e operações. Se você nunca recebeu treinamento em segurança na hidráulica de alta pressão, consulte o seu distribuidor ou centro de serviço sobre um curso de segurança hidráulica Enerpac.

Falhas no cumprimento das advertências e avisos de precaução podem causar lesões pessoais e avarias ao equipamento.

PRECAUÇÃO é usada para indicar a operação correta ou os procedimentos e métodos de manutenção para prevenir o dano, a destruição do equipamento ou outras propriedades.

ADVERTÊNCIA indica um perigo potencial que exige procedimentos ou métodos corretivos para evitar lesões pessoais.

PERIGO é usado somente quando a ação ou a falta da mesma podem causar lesões sérias ou mesmo a morte.



ADVERTÊNCIA: Use equipamentos individuais de proteção quando acionar equipamentos hidráulicos.



ADVERTÊNCIA: Mantenha distância de cargas apoiadas por cilindros hidráulicos. Um cilindro, quando utilizado como dispositivo de levantamento, jamais deve ser usado como dispositivo de sustentação de carga. Depois de haver sido levantada ou baixada, a carga deve sempre ser bloqueada mecanicamente.



ADVERTÊNCIA: USE SOMENTE PEÇAS RÍGIDAS PARA APOIAR AS CARGAS. Selecione cuidadosamente blocos de madeira ou ferro que sejam capazes de sustentar a carga. Nunca use um cilindro hidráulico como um calço ou espaçador em qualquer aplicação de levantamento ou prensagem.



PERIGO: Para evitar lesões pessoais mantenha mãos e pés longe do cilindro e da área de trabalho durante a operação.



ADVERTÊNCIA: Não exceda a capacidade do equipamento. Nunca tente levantar uma carga mais pesada que a capacidade do cilindro. Excesso de carga pode causar falhas no equipamento e possíveis lesões pessoais. Os cilindros são projetados para uma pressão máxima de 700 bar [10.000 psi]. Não faça a ligação entre um macaco ou um cilindro com uma bomba com capacidade maior de pressão.



Nunca ajuste uma válvula de alívio com pressão maior que a capacidade de pressão máxima da bomba. Ajustes maiores podem resultar em danos ao equipamento e/ou lesões pessoais.



ADVERTÊNCIA: A pressão de operação do sistema não deve exceder a capacidade de pressão do componente de menor capacidade no sistema. Instale manômetros de pressão no sistema para monitorar a pressão de operação. É a sua janela para o que está acontecendo no sistema.



PRECAUÇÃO: Evite danificar mangueiras hidráulicas. Evite curvas ou dobras pronunciadas quando direcionar as mangueiras hidráulicas. O uso de uma mangueira curvada ou dobrada causará aumento na pressão de retorno. Curvas ou dobras pronunciadas danificarão a mangueira internamente, levando a um desgaste prematuro.




Não derrube objetos pesados na mangueira. Um forte impacto pode causar danos à trama interna de aço da mangueira. A aplicação de pressão em uma mangueira danificada pode causar a sua ruptura.





IMPORTANTE: Não levante o equipamento hidráulico pela mangueira ou pelos engates. Use manoplas ou outros meios mais seguros para o transporte.





PRECAUÇÃO: Mantenha o equipamento hidráulico longe do calor e das chamas. O calor excessivo amolece vedações e selos, resultando em vazamento de fluidos. O calor também enfraquece o material das mangueiras e das juntas. Para um desempenho otimizado não exponha o equipamento a temperaturas maiores que 65 °C [150 °F]. Proteja mangueiras e cilindros dos respingos de solda.


 **PERIGO:** Não manuseie mangueiras sob pressão. O vazamento de óleo sob pressão pode penetrar na pele, causando ferimentos graves. Se óleo é injetado na pele, veja um médico imediatamente.


 **AVISO:** Use somente cilindros hidráulicos em sistemas acoplados. Nunca use um cilindro com acopladores desconectados. Caso os cilindros sejam extremamente sobrecarregados, os componentes poderão falhar catastroficamente causando danos pessoais.


 **AVISO: CERTIFIQUE-SE QUE A INSTALAÇÃO SEJA ESTÁVEL ANTES DE LEVANTAR A CARGA.** Os cilindros deverão ser posicionados em uma superfície plana para suportar a carga. Use a base de cilindro para adicionar estabilidade onde aplicável. Não solde e nem modifique o cilindro para fixar a base ou outra fixação.

 **Evite** situações onde as cargas não estejam diretamente centradas no atuador do cilindro. As cargas fora de centro geram esforços consideráveis nos cilindros e atuadores.

 Distribua a carga uniformemente sobre toda a superfície do descanso. Sempre use o descanso para proteger o atuador.

 **IMPORTANTE:** O equipamento hidráulico deve ser consertado somente por um técnico de hidráulica. Para serviços de manutenção, entre em contato com o Centro de Assistência Técnica Autorizada ENERPAC da sua área. Para proteger a garantia, use apenas óleo ENERPAC.

 **AVISO:** Substitua imediatamente as peças danificadas ou gastas por peças genuínas ENERPAC. Peças sobressalentes não originais podem quebrar provocando lesões pessoais e danos materiais. As peças originais ENERPAC são projetadas para se ajustar corretamente e suportar grandes esforços.

 **PRECAUÇÃO:** Antes de ligar o motor elétrico da bomba, verifique sua voltagem e capacidade. O uso de voltagem incorreta causa danos ao motor.

3.0 ESPECIFICAÇÕES

	Modelos “B”	Modelos “E”
Pressão de trabalho	0-10,000 psi [700 bar] {70 mPa}	
Fonte de energia elétrica	15 Amp 120 V. aterrado 1Ph. 50/60 Hz	10 A 220 V 1 fase 50/60 Hz
Capacidade nominal do motor	Capacidade nominal do motor 1/2 HP Universal, 9 Amps a 10,000 psi [700 bar] & 12,000 RPM opera em 60-125 Volts 85-89 dBA	37 kW Universal, 4 Amps a 10,000 psi [700 bar] {70 mPa} & 12,000 RPM 85-89 dBA
Capacidade nominal de fluxo	200 pol.3 /mpol. [3,3 l/min] a 0-200 psi [0-14 bar] {0-1,4 mPa} 20 pol.3 /mpol. [0,33 l/min] a 10,000 psi [700 bar] {70 mPa}	
Temperatura máx. de operação	150 °F (65 °C)	

N° do modelo	Usado com o cilindro	Tipo de válvula	Capacidade de óleo utilizável	Peso
PUD-1100B/E	Ação única	Válvula de descarga	2,00 l	14 kg
PUD-1101B/E			3,79 l	20 kg
PUD-1300B/E	Ação única	Descarga/Sustentação	2,00 l	14 kg
PUD-1301B/E			2,00 l	20 kg
PUJ-1200B/E	Ação única	3-vias, 2- posições	2,00 l	12 kg
PUJ-1201B/E			3,79 l	18 kg
PUJ-1400B/E	Ação dupla	4-vias, 3-posições	2,00 l	15 kg
PUJ-1401B/E			3,79 l	20 kg

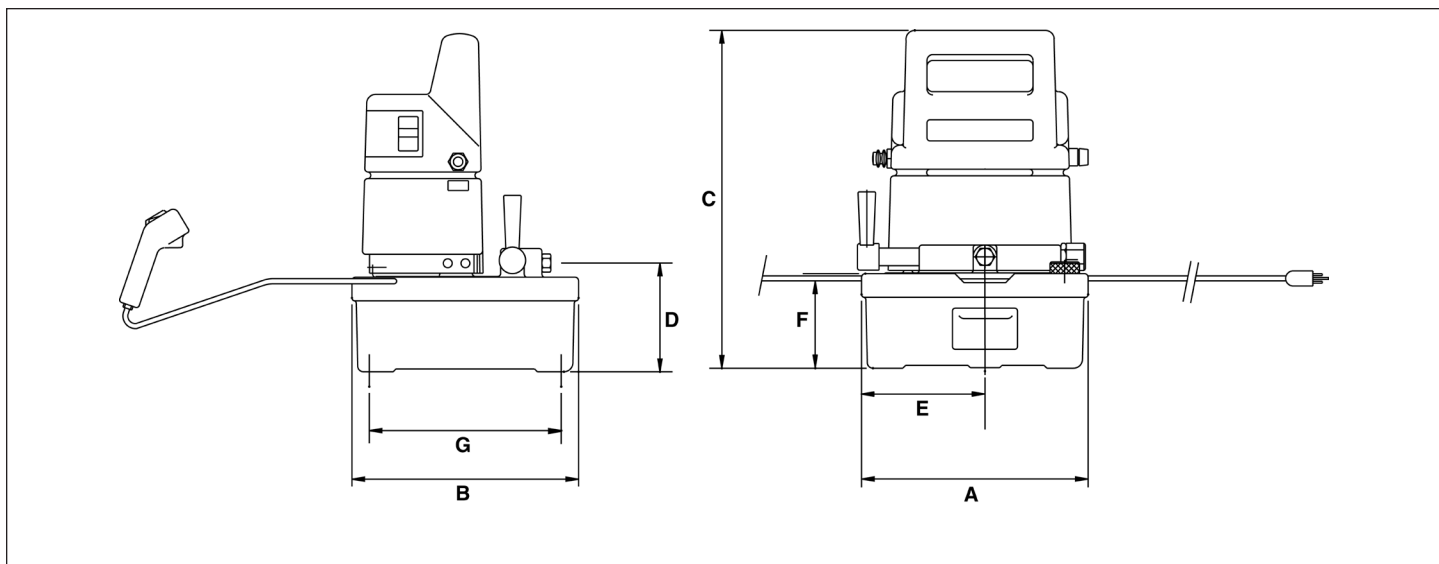


Figura 1

Medidas pol. [cm]								
Modelos	A	B	C	D	E	F	G	H
PUD-1100B/E, PUD-1300B/E, PUJ-1200B/E, PUJ-1400B/E	9.62 [24,43]	9.62 [24,43]	14.25 [36,20]	4.72 [11,99]	5.25 [13,34]	4.00 [10,16]	8.12 [20,62]	.75 [1,90]
PUD-1101B/E, PUD-1300B/E, PUJ-1201B/E, PUJ-1401B/E	12.18 [30,94]	14.50 [36,83]	14.72 [37,33]	5.12 [13,00]	5.62 [14,27]	4.15 [10,54]	12.77 [32,43]	0.62 [1,57]

As medidas "D" para o PUJ-1400B/E é 6.18 pol. [15,7 cm]; no PUJ-1401B/E, é 6.58 pol. [16,7 cm].

4.0 INSTALAÇÃO

4.1 Conexões hidráulicas

Use 1 1/2 voltas de fita de Teflon (ou selante para rosca) em todas as roscas, deixando o primeiro filete livre para que pedaços não se soltem e contaminem o sistema.



AVISO: Para assegurar uma operação adequada, evite dobrar as mangueiras. Se a mangueira ficar trincada ou danificada de qualquer forma, deve ser substituída. As mangueiras danificadas poderão romper-se em alta pressão, assim, causando danos pessoais.

PUJ-1200B/E, PUJ-1201B/E Modelos (Figura 2)

1. Remova o bujão de embarque do porthole (A) do medidor de 1/4"-18 NPTF encima da válvula de controle.
2. Instale o medidor de pressão 1035 bar (0-15,000 psi) no porthole (A) do medidor.
3. Se necessário, rosqueie a mangueira hidráulica do porthole (B) da válvula de saída de 3/8"-18 NPTF.
4. Conecte a linha de retorno rosqueando a mangueira no retorno do porthole do tanque (C).

PUJ-1400B/E, PUJ-1401B/E Modelos (Figura 3)

1. Remova o bujão de embarque da porthole (D) avançada da válvula. Instale o adaptador do medidor no porthole avançado (D) de 3/8"-18 NPTF.
2. Instale um medidor de pressão de 1035 bar (15,000 psi) no topo do adaptador do porthole.
3. Instale a mangueira hidráulica na extremidade da saída do medidor (3/8"-18 NPTF). Conecte a mangueira meio acoplamento ao cilindro. Aperte firmemente com a mão. NÃO USE ferramentas para apertar os coplamentos.

4. Caso use um circuito de ação dupla, instale a mangueira no porthole de retração (E) da válvula de controle. Conecte a conexão da mangueira na conexão de retração do cilindro.

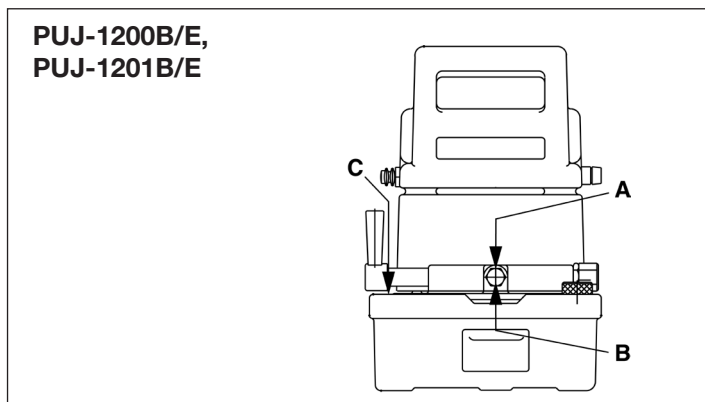


Figura 2

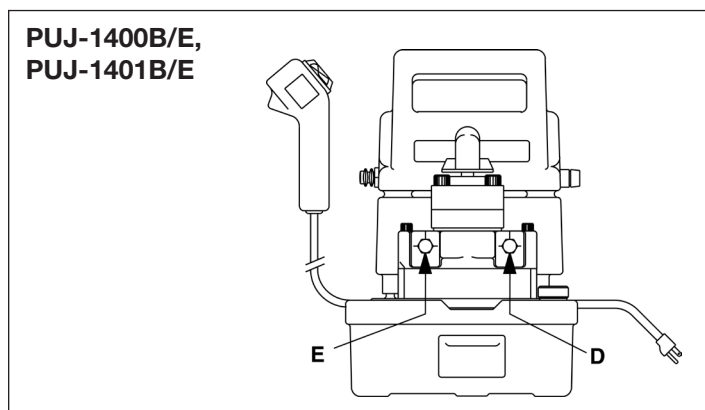


Figura 3

Modelos PUD1100B/E, PUD-1101B/E, PUD1300B/E e PUD1301B/E

1. A mangueira de ligação entre a bomba e o cilindro é conectada diretamente à conexão de saída (A) da válvula de controle (ver Figura 4).
2. Caso seja necessário monitorar a pressão do sistema através de um manômetro, um adaptador para manômetro deve ser instalado na conexão de saída da válvula (A). Instale um manômetro de pressão de 700 Bar (0-10.000 psi) na conexão de saída do adaptador do manômetro.

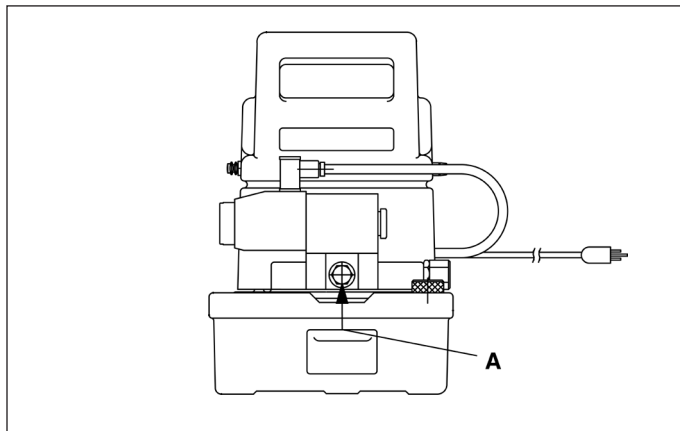


Figura 4

4.2 Fixação da válvula (Figura 5)

1. Remova a placa (item D43918098).
2. Verifique que o conector esteja instalado na bomba. Caso não, instale o conector. Cuidada para evitar o cisalhamento dos selos.
3. Fixe a válvula e use cautela para evitar o cisalhamento dos selos.

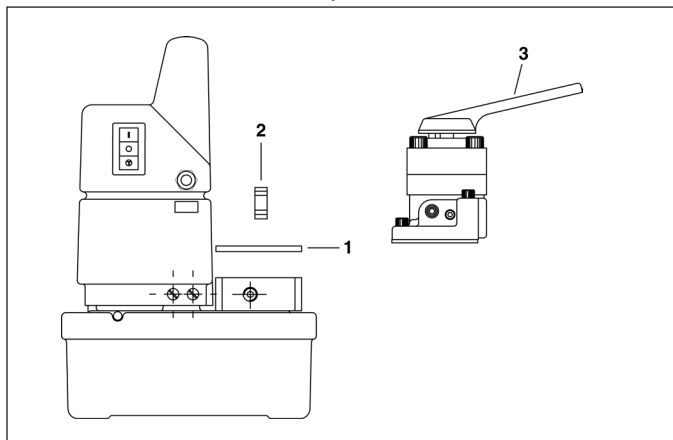


Figura 5

4.3 Adicionando óleo (Figura 6)

Verifique o nível de óleo por desparafusando e removendo o bujão de abastecimento/vent (F). Adicione Óleo Hidráulico Enerpac ate que o nível de óleo atinja 1/2 polegada (1 cm) abaixo da abertura de abastecimento/vent.

IMPORTANTE: Adicione óleo somente quando todos os componentes do sistema estejam plenamente retraídos, ou então, o sistema terá mais óleo do que o reservatório possa comportar.

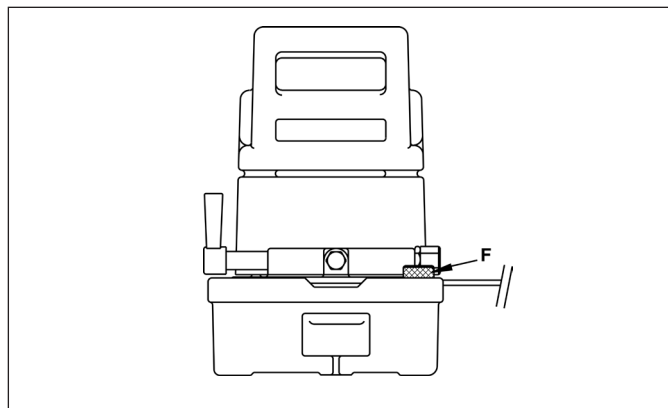


Figura 6

5.0 OPERAÇÃO

NOTA: Para evitar a perda de energia entre a saída elétrica e o motor da bomba, use o fio de extensão mais curto possível. O motor da bomba funcionará em baixa voltagem, mas a velocidade do motor e o fluxo de óleo serão reduzidos.

1. Verifique todas as conexões do sistema estejam apertadas e livre de vazamento.
2. Verifique o nível de fluido e se necessário, adicione fluido.
3. Abra o bujão do vent (F) da bomba localizado no canto direito frontal do reservatório por gira-lo 1 ou 2 voltas completas.



PRECAUÇÃO: O bujão do vent tem que estar aberto quando a bomba estiver rodando.

5.1 Chave de Operação (Figura 7)

A versão "B" requer um circuito de 15 amp, 120 V. aterrado 1 Ph. A versão "E" requerer 220 V. 1 Ph. O comprimento do cabo de força da bomba é de 5 pés. [1 1/2 metros].

1. A chave da bomba é localizada do lado da saia. É uma chave de três posições, o dente de cima é "ON", centro é "OFF", e em baixo é momentaneamente ligada "MOM". Pressionando para "ON" ativa-se o circuito elétrico, mas não aciona o motor da bomba. O motor da bomba é ativado através da chave no pingente (G).
2. Pressionando a porção inferior da chave ativa o motor da bomba enquanto a chave estiver segura para baixo. A liberação da chave para a bomba. Esta posição momentânea é usada como alternativa para o controle pendant.

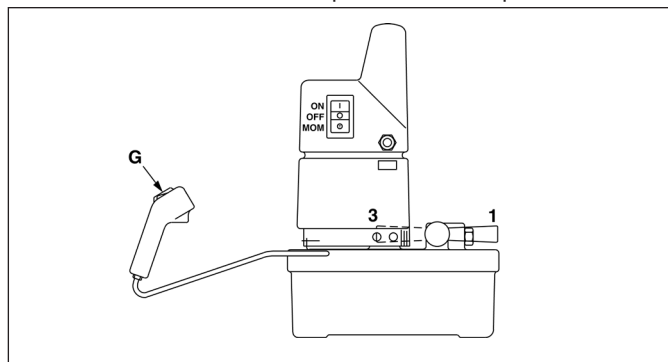


Figura 7

5.2 Válvula de controle da bomba

PUJ-1200B/E and PUJ-1201B/E modelos

A válvula de controle da bomba direciona a saída do fluido hidráulico ou retorna dos componentes do sistema hidráulico. Estes modelos contem válvulas de 3-vias, 2-posicoes. As posições das válvulas são mostradas na Figura 8: 1 - Avançar, 3- Retrair. Para avançar o cilindro, mude a válvula para a posição de avanço (1) e pressione a chave pendente.

O cilindro vai avançar até que a chave do pendente seja liberada.

Para retrainr o cilindro, mude a válvula para a posição de retração (3).

O cilindro vai retrainr se a bomba estiver ou não rodando.

Modelos PUJ 1400B/E e PUJ-1401B/E (Figura 8)

As válvulas de controle nas bombas PUJ-1400B/E e PUJ-1401B/E são em 4-vias, 3-posições, para o uso em cilindros de ação única onde o avanço e retração são hidraulicamente ativados. As posições das válvulas são mostradas na figura Figura 8: 1-Avanças 2- Retrair 3- Neutro. Em cada posição do movimento do cilindro é controlada por uma chave pendant.

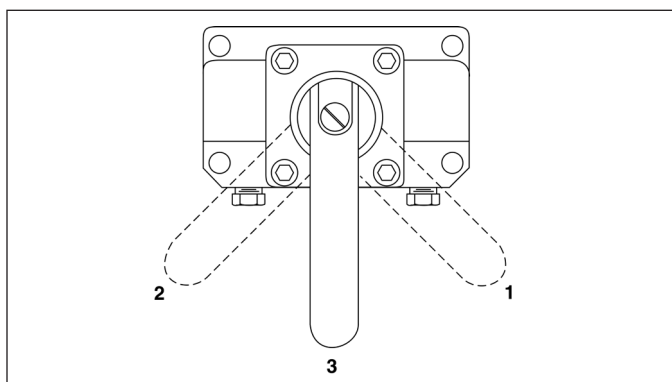


Figura 8

Modelos PUD-1100B/E e PUD-1101B/E

O PUD-1100B/E e PUD-1101B/E operam cilindros de ação única onde a função de segurar não é necessária. Pressionando a chave da partida ao motor e avança o cilindro. Quando a chave é liberada, o cilindro vai retrainr.

Modelos PUD1300B/E e PUD1301B/E

As bombas PUD1300B/E e PUD1301B/E acionam cilindros de simples ação quando se necessita a função de sustentação. Pressione o botão de avanço para dar partida na bomba e faça com que o cilindro avance. Liberar o botão de avanço vai fazer com que a bomba pare e haverá sustentação de carga, pelo cilindro, através da válvula. Pressionar o botão de retorno irá mudar a posição da válvula, permitindo o retorno do cilindro.

NOTA: Uma vez que o tempo de interrupção do motor pode variar, dependendo das condições da carga, o avanço da carga pode não parar no momento exato em que o botão de avanço é liberado. Pode ocorrer uma pequena movimentação do cilindro, enquanto o motor estiver parando.

5.3 Interruptor Térmico (Todos os modelos)

Para proteger a bomba de danos, um interruptor térmico interno desliga o motor, quando a temperatura do óleo atinge 150°F [65°C]. Quando a temperatura cai para 130°F [54°C] o interruptor é reiniciado automaticamente.

5.4 Remoção de ar

Quando o sistema de ar é conectado pela primeira vez, o ar está preso nos componentes. Para garantir operação normal e segura, remova o ar ao executar o sistema através de varios ciclos completos sem exercer carga nos cilindros. Quando os cilindros avançam e retraem sem hesitação, o ar é ventilado para o sistema.



AVISO: para evitar danos pessoais ou ao equipamento, não continue a pressurizar os cilindros apos o atingimento to curso máximo ou a pressão de trabalho máxima.

6.0 AJUSTAMENTO DA VÁLVULA DE ALIVIO (FIGURA 9)

A válvula de alivio da bomba principal é interna e não ajustável, configurada pela fábrica para a pressão máxima de trabalho de 10,000 psi [700 bar]. Uma válvula de alivio adicional é localizada debaixo de um tampão hex do lado direito da bomba. A válvula de alivio externa é ajustado para 10,000 psi [700 bar] ate para 2000 psi [140 bar]. Os limites da pressão de trabalho podem ser reduzidas abaixo de 10,000 psi [700 bar], mas não acima de 10,000 psi [700 bar]. Os modelos (PUJ-1400B/E e PUJ-1401B/E não são equipados com válvulas de alivio externa.)

1. Instale o medidor como indicado nas instruções de instalação na página 45.
2. Instale o bujão do pórtico de saída da válvula.
3. Remova o tampão hex (**H**) cobrindo o parafuso de ajustamento da válvula de alivio.
4. Usando uma chave Allen, gire o parafuso de ajustamento no sentido anti-horário para uma girada completa.
5. Acione a bomba "ON" e de partida ao motor da bomba, observando o medidor de leitura para a pressão máxima. Pare a bomba.
6. Continue o ajustamento ate que a pressão seja atingida
7. Verifique o ajustamento por rodar a bomba várias vezes. Se o medidor de leitura for o mesmo cada vez, então o ajustamento da válvula esta estável.
8. Reponha o tampão hex para cobrir o parafuso de ajustamento.

NOTA: Para atinge o ajustamento mais preciso da válvula de alivio, inicie na pressão baixa e ajuste a válvula de alivio para o ajustamento desejado.

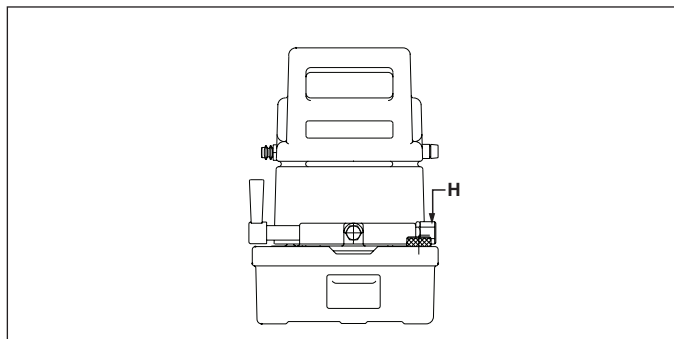


Figura 9



AVISO Para evitar danos ao equipamento e pessoais, não exceda a pressão máxima de trabalho de 10,000 psi [700 bar].

7.0 MANUTENÇÃO

7.1 Verificando o nível de óleo

Verifique o nível de óleo hidráulico do reservatório a cada 40 horas de operação. Adicione óleo quando necessário para trazer o nível para 1/2" [1 cm] abaixo da abertura de enchimento. Use somente Óleo Hidráulico Enerpac. O uso de outros óleos ou fluidos poderão danificar o sistema e assim, anular a garantia da Enerpac.

7.2 Trocando o óleo (Figura 10)

Drene completamente o reservatório a cada 100 horas de operação. Recarregue com óleo hidráulico novo. Se a bomba for operada em ambientes sujos, ou em altas temperaturas, então recarregue com mais frequência.

1. Para drenar o reservatório, remova o bujão vent/abastecimento (F) do topo do canto direito do reservatório.
2. Incline a bomba até que todo o óleo seja drenado.
3. Recarregue com o óleo novo através da mesma abertura. Capacidade do reservatório é .75 gal. [2,8 l] ou 1.5 gal. [5,7 l] dependendo do modelo.
4. Reponha o bujão de abastecimento (F).

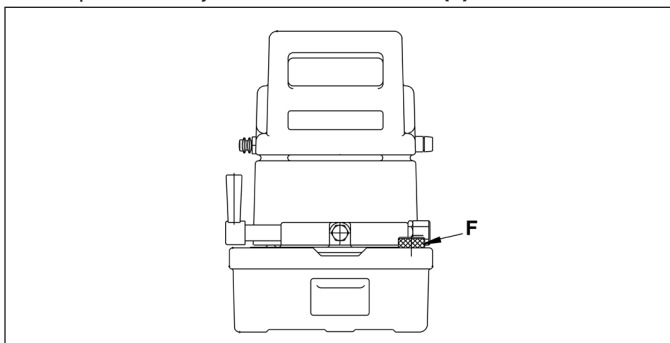


Figura 10

7.3 Limpando o reservatório

O reservatório da bomba pode ser removido para limpeza. Se a bomba é usada constantemente em ambientes extremamente sujos, o reservatório deverá ser limpo uma vez por ano.

1. Drene o reservatório como descrito nos passos 1 e 2 no "Trocando o óleo".
2. Remova os seis parafusos segurando o invólucro ao reservatório. Levante o o invólucro para fora do reservatório. O coxim de espuma estará ao redor do motor para prevenir com que os fios elétricos estejam longe do motor. Use PRECAUÇÃO para evitar danos ao puxar as conexões dos fios do terminal.
3. Remova os oito parafusos segurando a bomba no reservatório. Levante a bomba do reservatório e a gaxeta.
4. Limpe bem o reservatório com solvente apropriado.
5. Remonte a bomba e reservatório, instalando uma junta nova. Posicione a saia sobre o motor com o cabo da saia vltado para o lado da válvula na bomba. Instale seis parafusos de fixação internas/externas com arruela de trava.

Caso a bomba requiera trabalho de conserto, entre em contato com o Centro autorizado de serviço da Enerpac.

7.4 ESCOVAS DO MOTOR

Verifique as escovas do motor elétrico pelo menos uma vez a cada dois anos. Para bombas usadas em aplicações pesadas, verifique as escovas pelo menos uma vez a cada seis meses.



PERIGO: Para evitar possível eletrocutamento, a bomba deve estar completamente desligada da energia elétrica, antes que se inicie o conserto da bomba.

8.0 SOLUCIONANDO PROBLEMAS (VER TABELA)

Pretende-se que esta Tabela de Soluções de Problemas seja um guia para ajudá-lo no diagnóstico e correção dos vários e possíveis problemas com as bombas.

Somente técnicos qualificados em hidráulica deveriam solucionar problemas e executar os consertos da bomba. Para os serviços de reparo, entre em contato com o Centro de Serviço Autorizado em sua área.

8.1 Disjuntor (Bombas com Código de Dados "F" e posteriores)

No caso de uma sobrecarga elétrica, o disjuntor da bomba irá desligar. Depois de investigar e corrigir a causa da sobrecarga, pressione o botão do disjuntor para reiniciar.

8.2 Fusíveis (Bombas com Código de Dados "F" e posteriores)

Fusíveis internos protegem os circuitos principais e secundários do transformador de controle. Se um fusível queima, investigue e corrija a causa da falha. Então, substitua o fusível queimado por um novo, na voltagem correta. Para voltagem de fusíveis, verifique a Folha de Reparos do modelo de sua bomba



AVISO: Desligue sempre a energia elétrica, antes de trocar fusíveis.

Nota: Fusíveis **não** são usados nas seguintes bombas:

- Bombas fabricadas antes da Data de Código "F".
- Modelos não equipados com controle (todos os códigos de datas).

9.0 PADRÕES DE TESTES

9.1 Canadian Standards Association (CSA)

Sempre que especificado, as montagens de bomba estão de acordo com as exigências dos projetos de testes e montagem de "CSA", "Canadian Standards Association" (verifique CAN/CSA — C22.2 No. 68-92, "Motor operated appliances."

9.2 Conformidade com a CE

Quando especificado, uma Declaração de Conformidade da CE e é fornecida a marcação CE de produto. Estes produtos estão de acordo com os Padrões Europeus EN982:1996, EN1050:1998 e EN-ISO-12100-1&2:2003, e com as Diretrizes CE 2006/42/EC, 97/23/EC, 2004/108/EC, 2006/95/EC e 97/23/EC.

TABELA DE SOLUÇÕES DE PROBLEMAS

Problema	Possível causa	Solução
A bomba não da partida.	Não tem energia. Voltagem errada.	Verifique a fonte de energia elétrica. Verifique as especificações de voltagem na página 43.
O cilindro não avança ou retrai.	Nível de fluido baixo. Tela de entrada entupida. Válvula na posição errada. Falha na válvula.	Encha o reservatório para o nível adequado. Limpe ou reponha a tela de entrada. Mude a válvula para a posição de pressão Conserto da bomba por um técnico hidráulico qualificado.
Cilindro avança e retrai a	Ar no sistema. Vazamento externo no sistema. Vazamento interno hidráulico.	Remova ar do sistema ciclando. Abertura e fechamento da ferramenta até que a operação seja sem atritos. Aperte as conexões sob vazamento. Reponha qualquer mangueira danificada e conexões Conduza o reparo da bomba por um técnico qualificado em hidráulica.
A bomba falha em manter a pressão.	Vazamento externo hidráulico. Vazamento interno hidráulico.	Aperte as conexões que estão vazando. Reponha qualquer mangueira danificada e conexões. Conduza o reparo da bomba por um técnico.
Fluido baixo de saída.	Nível baixo de fluido. Os componentes da bomba estão vazando. A válvula de desvio não esta funcionando. As telas de entrada de fluido bloqueia o pistao.	Abasteça o reservatório para o nível adequado. Teste para isolar os vazamentos. Conduza o reparo da bomba por um técnico qualificado em hidráulica. Inspeccione as telas de entrada. Lave se estiver entupida com sujeira Reponha qualquer componente danificado.

L2062 Rev. I 02/21

FI

Korjausosaluettelo tälle tuotteelle on saatavilla Enerpacin web-sivulta www.enerpac.com, tai lähimmästä valtuutetusta Enerpac-huoltokeskuksesta tai Enerpac-myyntitoimistosta.

1.0 TÄRKEÄT VASTAANOTTO-OHJEET

Tarkista silmämääräisesti kaikki osat kuljetusvaurioiden varalta. Takuu ei kata kuljetusvaurioita. Jos kuljetusvaurioita löytyy, niin ilmoita kuljetusliikkeelle välittömästi. Kuljetusliike on vastuussa kaikista korjauksista ja korvauskustannuksista, jotka ovat johtuvat kuljetusvaurioista.

TURVALLISUUS ENNEN KAIKKEA

2.0 VAROTOIMENPITEET



Lue kaikki ohjeet ja varoitukset huolellisesti. Noudata kaikkia varotoimenpiteitä estääksesi vammoja tai omaisuuden vaurioitumista käytön aikana.

Enerpac ei ole vastuussa vaurioista tai vammoista, jotka johtuvat tuotteen turvattomasta käytöstä, huollon puutteesta tai tuotteen ja/tai järjestelmän väärästä käytöstä. Ota yhteys Enerpaciin kun olet epävarma varotoimenpiteistä ja käytöstä. Jos et ole koskaan saanut korkeapaineisten hydraulilaitteiden turvallisuuteen liittyvää koulutusta, ota yhteyttä jälleenmyyjään tai huoltopalveluun saadaksesi tietoja Enerpacin hydraulilaitteita koskevista turvallisuuskursseista.

Seuraavien varoitusten noudattamatta jättäminen voi aiheuttaa laitevaurioita ja vammoja.

VAROVAISUUS -tekstiä käytetään ilmaisemaan oikeat käyttö- tai huoltotoimenpiteet ja käytännöt vaurioiden estämiseksi, tai laitteen tai muun omaisuuden tuhoutumisen estämiseksi.

VAROITUS -tekstiä käytetään ilmaisemaan mahdollinen vaara, joka vaatii oikeita toimenpiteitä tai käytäntöjä vammojen välttämiseksi.

VAARA -tekstiä käytetään vain kun toiminta tai sen puute voi aiheuttaa vakavan vamman tai jopa kuoleman.



VAROITUS: Käytä henkilökohtaisia suojavarusteita kun käytät hydraulilaitteita.



VAROITUS: Pysy etäällä hydrauliiikan kannattelemista kuormista. Sylinteriä, jota käytetään kuorman nostolaitteena, ei pitäisi koskaan käyttää kuorman kannattelulaitteena. Kun kuorma on nostettu tai laskettu, se pitää aina tukea mekaanisesti.



VAROITUS: KÄYTÄ VAIN JÄYKKIÄ OSIA KANNATTELEMAAN KUORMIA. Valitse huolellisesti teräs- tai metalliesteet, jotka kykenevät kannattelemaan kuormaa. Älä koskaan käytä hydraulisyylinteriä kiilana tai välikappaleena nosto- tai puristussovelluksille.



VAARA: Henkilövammojen välttämiseksi pidä kädet ja jalat etäällä kiristysavaimen vastavoimasta ja työkalusta käytön aikana.



VAROITUS: Älä ylitä laitteiston luokituskuormia. Älä koskaan yritä nostaa kuormaa, joka painaa sylinterin kapasiteettia enemmän. Ylikuormitus aiheuttaa laitteiston pettämisen ja mahdollisesti vammoja. Sylintereille suunniteltu maksimipaine on 700 bar [10,000 psi]. Älä kytke pumppuun tunkkia tai sylinteriä, jonka painekuormitus on suurempi.



Älä koskaan aseta vapautusventtiiliä suurempaan paineeseen kuin pumpun suurin luokitettu paine on. Suuremmat asetukset voivat johtaa laitteiston vaurioitumiseen ja/tai henkilövahinkoihin.



VAROITUS: Järjestelmän käyttöpaine ei saa ylittää järjestelmän alimmalle luokitellun osan painearvoa. Asenna painemittarit järjestelmään tarkkailemaan käyttöpainetta. Se on ikkuna siihen mitä järjestelmässä tapahtuu.



VAROVAISUUS: Vältä hydrauliletkujen vaurioittamista. Vältä teräviä kulmia ja kiertymiä kun reitität hydrauliletkuja. Vääntyneen tai kiertyneen letkun käyttö voi aiheuttaa vakavan paluupaineen. Terävät kulmat ja kiertymät vaurioittavat sisäisesti letkua, mikä johtaa ennenaikaiseen vikaan letkussa.



Älä pudota painavia esineitä letkun päälle. Terävä kosketus voi aiheuttaa sisäisen vaurion letkun lankasäikeisiin. Paineen johtaminen vaurioituneeseen letkuun voi saada sen repeämään.



TÄRKEÄÄ: Älä nosta hydraulilaitteita letkuista tai kiertokytkimistä. Käytä kantokahvoja tai muita turvallisia kuljetusmuotoja.



VAROVAISUUS: Pidä hydraulilaitteet etäällä tulesta ja kuumuudesta. Liiallinen lämpö pehmentää pakkaukset ja saumat, johtaan nestevuotoihin. Lämpö myös heikentää letkumateriaaleja ja pakkauksia. Optimaalisen toiminnan saavuttamiseksi, älä altista laitteita lämpötiloille, jotka ovat 150 °F (65 °C) tai korkeampia. Suojaa letkut ja sylinterit hitsausroiskeilta.



VAARA: Älä käsittele paineistettuja letkuja. Vapautuva öljy voi paineen alla mennä ihon läpi, aiheuttaen vakavan vamman. Jos öljyä ruiskuu ihon alle, ota välittömästi yhteys lääkäriin.



VAROITUS: Käytä vain hydraulisia vääntökampia liitäntäjärjestelmissä. Älä koskaan käytä vääntökampea kytkemättömiin liittimiin. Jos vääntövain tulee erittäin ylikuormitetuksi, niin komponentit voivat hajota katastrofaalisesti, aiheuttaen vakavan henkilövamman.



VAROITUS: VARMISTA KOKOONPANON VAKAUS ENNEN KUORMAN NOSTAMISTA. Sylinterit on asetettava tasaiselle pinnalle, joka kykenee kantamaan kuorman. Käytä sylinterialustaa tarvittaessa vakauden parantamiseen. Älä hitsaa tai muuta muulla tavalla sylinteriä alustan tai muun tuen kiinnittämiseksi.



Vältä tilanteita, joissa kuormat eivät ole suoraan keskitettyjä sylinterin mäntään. Keskitämättömät kuormat rasittavat merkittävästi sylinterejä ja mäntiä. Lisäksi kuorma voi livetä tai pudota johtuen mahdollisesti vaaratilanteisiin.



Jaa kuorma tasaisesti koko satulapinnalle. Käytä aina satulaa männän suojaamiseen.



TÄRKEÄÄ: Hydraulilaitteita saa huoltaa vain pätevä hydrauliteknikko. Ota yhteys valtuutettuun ENERPAC-huoltokeskukseen korjauspalveluiden suhteen. Takuun säilyttämiseksi, käytä vain ENERPAC-öljyä.



VAROITUS: Vaihda välittömästi kuluneet tai vaurioituneet osat aidoilla ENERPAC-osilla. Standardilaatuiset ovat hajoavat, aiheuttaen henkilövammoja ja omaisuuden tuhoutumista. ENERPAC-osat ovat suunniteltu sopimaan kunnolla ja kestävästi raskaita kuormia.



VAROITUS: Tarkista ohjearvot ja moottorin kilven tiedot. Vääränlaisen virtalähteen käyttö vaurioittaa moottoria.

4.0 ASENNUS

4.1 Hydrauliiikan liitännät

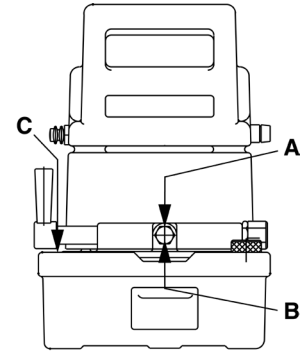
Käytä 1½ kierrosta teflonteippiä (tai sopivaa kierrettiivistettä) kaikkiin kierteisiin, jättäen ensimmäinen täysi kierre ilman teippiä sen varmistamiseksi



VAROITUS: Varmista oikea toiminta välttämällä letkujen taittumia tai tiukat taivutukset. Jos letkuun tulee sykkyyä tai se vioittuu muulla tavoin, se pitää vaihtaa. Vioittuneet letkut voivat puhjeta korkealla paineella ja aiheuttaa henkilövahingon.

Mallit PUJ-1200B/E, PUJ-1201B/E (Kuvio 2)

PUJ-1200B/E,
PUJ-1201B/E



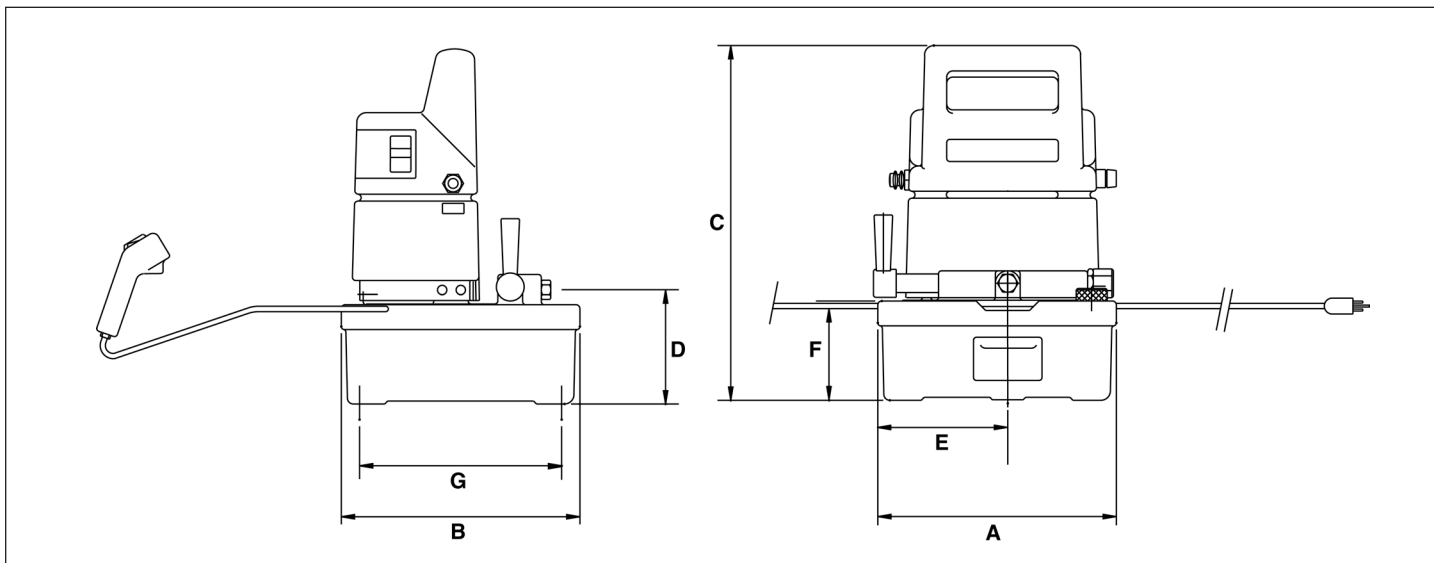
Kuvio 2

- Poista kuljetuksen ajaksi asetettu tulppa hallintaventtiilin päällä olevasta mittarin 1/4"-18 NPTF virtausaukosta (A).
- Asenna 1035 bar [0-15 000 psi] painemittari mittarin virtausaukkoon (A).
- Kiinnitä tarvittaessa hydrauliletku venttiilin lähtöaukon (B) 3/8"-18 NPTF kierteisiin.
- Yhdistä paluulinja kiinnittämällä letku paluusäiliön virtausaukon (C) kierteisiin.

3.0 OHJEARVOT

	"B" mallit	"E" mallit
Käyttöpaine	700 bar [0-10 000 psi] {70 mPa}	
Sähkötehon lähde	15 A 120 V maadoitettu 1-vaiheinen 50/60 Hz	10 A 220 V 1-vaiheinen 50/60 Hz
Moottorin teholuokka	Moottorin teholuokka ½ hv yleisvirta, 9 A @ 700 bar [10 000 psi] ja 12 000 rpm toimii 60-125 voltilla, 85-89 dBA	0,37 kW yleisvirta 4 A @ 700 bar [10 000 psi] {70 mPa} ja 12 000 rpm 85-89 dBA
Virtausnopeus	3,3 l/min @ 0-14 bar [0-200 psi] {0-1,4 mPa} 0,33 l/min @ 700 bar [10 000 psi] {70 mPa}	
Maks. toimintalämpötila	65° C	

Mallin nro.	Sylinterin toiminta	Venttiilin tyyppi	Käyttö-öljytilavuus	Paino
PUD-1100B/E	Yksitoiminen	DUMP- venttiili	12,00 l	14 kg
PUD-1101B/E			3,79 l	20 kg
PUD-1300B/E	Yksitoiminen	Vapautus/pito	2,00 l	14 kg
PUD-1301B/E			2,00 l	20 kg
PUJ-1200B/E	Yksitoiminen	3-tie, 2-asentoinen	2,00 l	12 kg
PUJ-1201B/E			3,79 l	18 kg
PUJ-1400B/E	Kaksitoiminen	4-tie, 3-asentoinen	2,00 l	15 kg
PUJ-1401B/E			3,79 l	20 kg

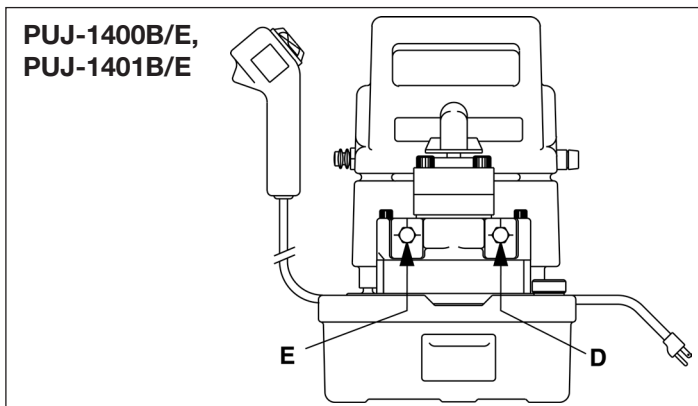


Kuvio 1

Mitat cm								
Mallit	A	B	C	D	E	F	G	H
PUD-1100B/E, PUD-1300B/E, PUJ-1200B/E, PUJ-1400B/E	24,43	24,43	36,20	11,99	13,34	10,16	20,62	1,90
PUD-1101B/E, PUD-1301B/E, PUJ-1201B/E, PUJ-1401B/E	30,94	36,83	10,54	13,00	14,27	10,54	32,43	1,57

“D” mitta mallissa PUJ-1400B/E on 15,7 cm, mallissa PUJ-1401B/E se on 16,7 cm.

Mallit PUJ-1400B/E, PUJ-1401B/E (Kuvio 3)

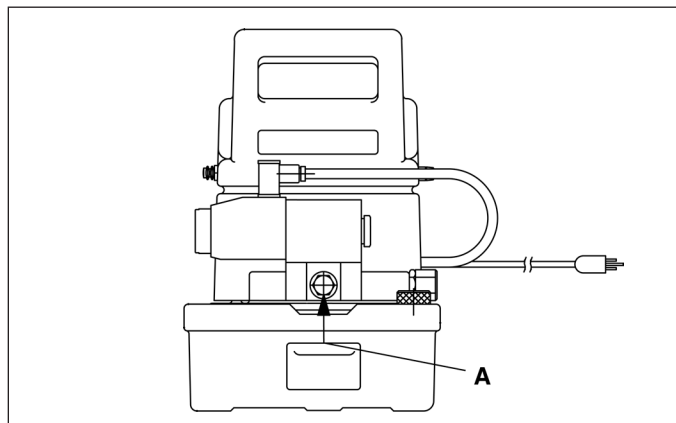


Kuvio 3

- Poista kuljetuksen ajaksi asetettu tulppa venttiilin tulo puolen aukosta (D). Asenna mittarin sovitinkappale tulo puolen aukkoon (D). 3/8"-18 NPTF.
- Asenna 1035 bar [0-15 000 psi] painemittari mittarin sovitinkappaleen yläosan virtausaukkoon.
- Asenna hydrauliletku mittarin sovittimen paluupuolen virtausaukkoon (3/8"-18 NPTF). Yhdistä letku sylinterin tulo puoleen. Kiristä liitin lujasti käsin. ÄLÄ käytä työkaluja liittimen kiristämiseen.
- Kaksitoimista piiriä käytettäessä asenna letku hallintaventtiilin tulo puolen aukkoon (E). Yhdistä letku sylinterin paluupuolen liittimeen.

Mallit PUD1100B/E, PUD-1101B/E, PUD1300B/E ja PUD1301B/E

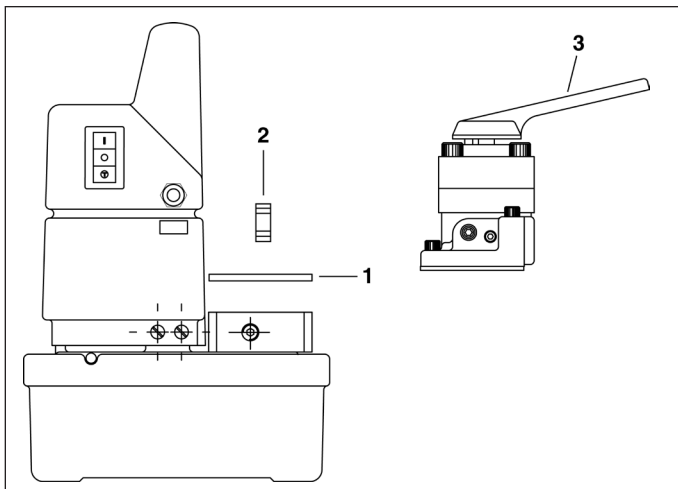
- Letku pumpusta sylinteriin kiinnittyy suoraan hallintaventtiilin paluupuolen aukkoon (A) (ks. Kuva 4).
- Mikäli halutaan käyttää mittaria järjestelmäpaineen valvontaan, venttiilin paluupuolen aukkoon (A) on asennettava mittarin sovitinkappale. Asenna 700 bar [0-10 000 psi] painemittari mittarin sovitinkappaleen mittariaukkoon.



Kuvio 4

4.2 Venttiilin kiinnitys (Kuvio 5)

- Irrota levy (nro. 1, D43918098).
- Tarkista, että liitin (2) on asennettu pumppuun. Mikäli näin ei ole, asenna liitin ja varo, että tiivisteet eivät rikkoudu.
- Kiinnitä venttiili (3) ja varo että tiivisteet eivät rikkoudu.

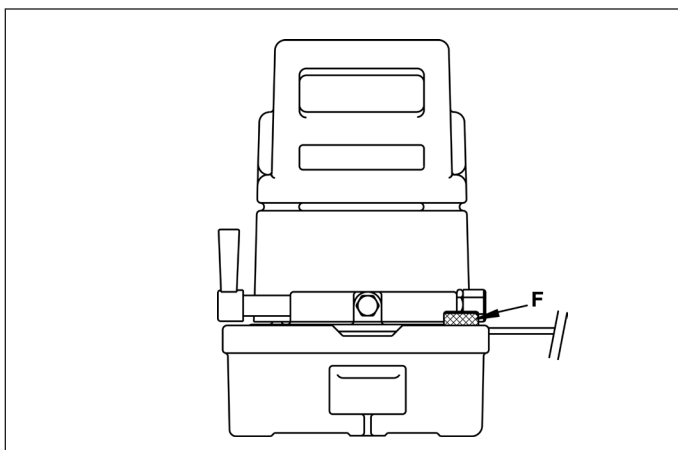


Kuvio 5

4.3 Öljyn lisääminen (Kuvio 6)

Tarkista öljyn taso, ruuvaamalla irti ilmanvaihto/täyttötulppa (F). Lisää Enerpac-hydrauliöljyä, kunnes öljyn taso on 1 cm ilmanvaihto/täyttöaukon alapuolella.

TÄRKEÄÄ: Öljyä tulee lisätä vain kaikkien järjestelmäkomponenttien ollessa täysin sisään vedettyinä, sillä järjestelmään tulee muutoin enemmän öljyä, kuin mitä säiliöön mahtuu.



Kuvio 6

5.0 KÄYTTÖ

HUOMAA: Käytä mahdollisimman lyhyttä jatkojohtoa tehon häviöiden välttämiseksi sähköpistorasian ja pumpun moottorin välillä. Pumpun moottori toimii alhaisella jännitteellä, mutta moottorin nopeus ja öljyn virtaus vähenevät.

1. Tarkista kaikki järjestelmän liittimet ja liitännät ja varmista, että ne ovat tiukat eikä ole vuotoja.
2. Tarkista nestetaso ja lisää tarvittaessa nestettä.
3. Avaa säiliön oikeassa etukulmassa sijaitseva pumpun ilmatulppa (F), kääntämällä sitä 1 tai 2 täyttä kierrosta.

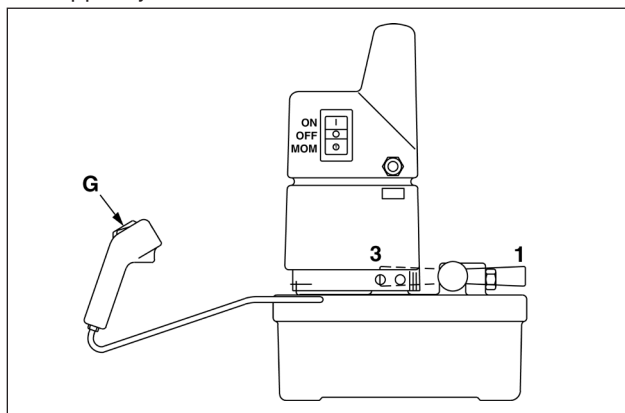


MUISTUTUS: Ilmatulpan pitää olla auki pumpun käydessä.

5.1 Kytkimen toiminta (Kuvio 7)

“B” versio vaatii 15 A, 120 V, maadoitetun 1-vaiheisen piirin. “E” versio vaatii 220 V 1-vaiheisen piirin. Pumpun virtajohdin on 1,5 m:n pituinen.

1. Pumpun kytkin sijaitsee suojuksen sivulla. Se on kolmiasentoinen kytkin, yläpidätin on “ON” (päälle), keskellä on “OFF” (pois), pohjalla on tilapäinen palautuva “MOM” päällekytkentä. Yläasennon “ON” painaminen aktivoi sähköpiirin, mutta ei käynnistä pumpun moottoria. Pumpun moottori aktivoidaan riippuohjainkytkimellä (G).
2. Kytkimen alaosa painettaessa pumpun moottori on aktivoituna kytkimen painamisen ajan. Kytkimen vapauttaminen pysäyttää pumpun. Tätä palautuvaa asentoa käytetään vaihtoehtona riippuohjaimelle.



Kuvio 7

5.2 Pumpun hallintaventtiili PUJ-1200B/E ja PUJ-1201B/E -malleissa

Pumpun hallintaventtiili ohjaa hydraulisen nesteen ulostuloa tai sen paluuta hydraulijärjestelmän komponenteista. Näissä malleissa on 3-tie, 2-asentoiset venttiilit. Venttiilin asennot näkyvät kuviossa 8: (1)-Työntö, (3)-Sisäänveto. Sylinteriä työnnetään siirtämällä venttiili työntöasentoon (1) ja painamalla riippuohjainkytkintä.

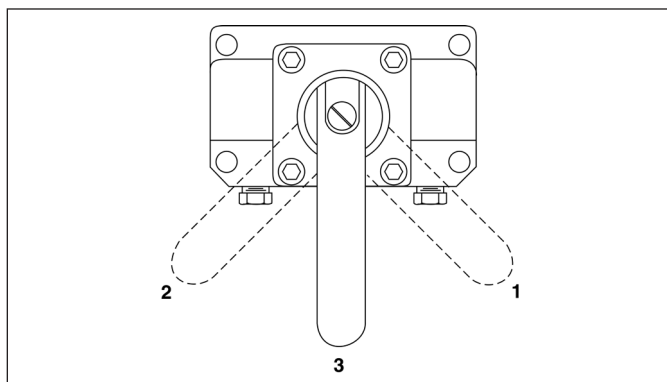
Sylinteri työntyy kunnes riippuohjainkytkin vapautetaan.

Sylinteri vedetään sisään siirtämällä venttiili sisäänvetoasentoon (3).

Sylinteri vetäytyy sisään pumpun käydessä tai ilman sitä.

Mallit PUJ-1400B/E ja PUJ-1401B/E (Kuvio 8)

Hallintaventtiilit mallien PUJ-1400B/E ja PUJ-1401B/E pumpeissa ovat 4-tie, 3-asentoisia, kaksitoimisten sylinterien kanssa käyttöä varten, missä työntö ja sisäänveto ovat hydraulisesti toimivia. Venttiilin asennot näkyvät kuviossa 8: 1-Työntö, 2-Sisäänveto, 3-Vapaa. Jokaisessa asennossa sylinterin liikkumista ohjaa riippuohjainkytkin.



Kuvio 8

Mallit PUD-1100B/E ja PUD-1101B/E

PUD-1100B/E ja PUD-1101B/E käyttävät yksitoimisia sylintereitä, missä pitotoimintoa ei tarvita. Riippuohjainkytkimen painaminen käynnistää moottorin ja työntää sylinteriä eteenpäin. Kun kytkin vapautetaan, sylinteri vetäytyy taaksepäin.

Mallit PUD1300B/E ja PUD1301B/E

PUD1300B/E ja PUD1301B/E käyttävät yksitoimisia sylintereitä, kun tarvitaan pitotoiminto. Paina työntöpainiketta pumpun käynnistämiseksi ja sylinterin työntämiseksi.

Työntöpainikkeen vapauttaminen pysäyttää pumpun ja sylinteri pidättää kuorman venttiilin avulla. Sisäänvetopainikkeen painaminen siirtää venttiilin ja päästää kuorman vetäytymään.

HUOMAA: Koska moottorin pysähtymisaika voi vaihdella kuorman olosuhteista riippuen, kuorma ei ehkä lakkaa liikkumasta täsmälleen sillä hetkellä, jolloin työntöpainike vapautetaan. Sylinterissä saattaa esiintyä pieni liike moottorin pysähtyessä.

5.3 Lämpökatkaisin (kaikki mallit)

Pumpun suojaamiseksi vauriolta sisäinen lämpökatkaisin pysäyttää moottorin, kun öljyn lämpötila saavuttaa lukeman 65 °C. Kun lämpötila laskee tasolle 54 °C, kytkin palautuu automaattisesti.

5.4 Ilman poisto

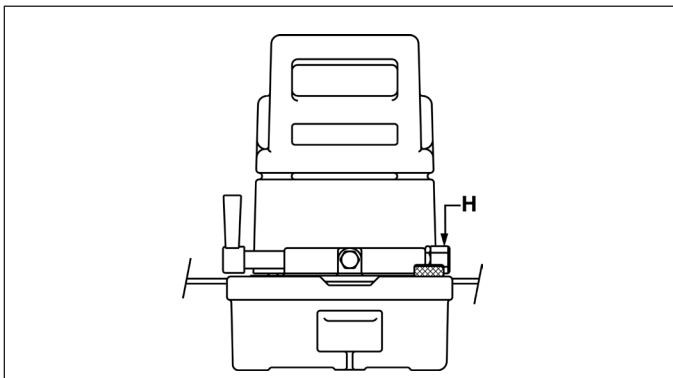
Kun hydraulinen järjestelmä liitetään ensimmäisen kerran, sen osiin jää ilmaa. Poista ilma tasaisen turvallisen toiminnan varmistamiseksi, käyttämällä järjestelmää usean täyden toimintajakson läpi ilman sylintereihin kohdistuvaa kuormaa. Kun sylinterit työntyvät ja vetäytyvät sisään vaivattomasti, ilma on poistunut järjestelmästä.



VAROITUS: Tapaturman ja laitevaurion välttämiseksi älä jatka sylinterien paineistamista sen jälkeen kun maksimi liikevara tai maksimi käyttöpaine on saavutettu.

6.0 PAINEENRAJOITUSVENTTIILIN SÄÄTÖ (Kuvio 9)

Varsinainen pumpun paineenrajoitusventtiili on sisäinen, ei-säädettävä, tehtaanasettamana 700 bar maksimikäyttöpaineelle. Toinen ulkoinen paineenrajoitusventtiili sijaitsee kuusisivuisen kannen alla pumpun oikealla sivulla. Ulkoinen paineenrajoitusventtiili on säädettävissä välillä 700 barja 140 bar. Toimintapaineen arvon rajat voidaan asettaa arvon 700 bar alapuolelle, mutta ei arvon 10 000 psi [700 bar] yläpuolelle. (Malleissa PUJ-1400B/E ja PUJ-1401B/E ei ole ulkoisia säädettäviä paineenrajoitusventtiilejä).



Kuvio 9

1. Asenna mittari sivulla 51 annettujen asennusohjeiden mukaisesti.
2. Asenna tulppa venttiiliin poistopuolen aukkoon.
3. Poista paineenrajoitusventtiilin säätöruuvien päällä oleva kuusisivuinen kansi (H).

4. Käännä kuusiokoloavaimella säätöruuvia vastapäivään yksi täysi kierros.
5. Käännä pumppu "ON" (päälle) ja käytä pumpun moottoria ja tarkkaille maksimipainetta mittarista. Pysäytä pumppu.
6. Jatka asetuksen säätämistä, kunnes haluttu paine on saavutettu.
7. Tarkasta asetus, käyttämällä pumpppua useita kertoja. Jos mittarin lukema pysyy samana joka kerta, venttiilin asetus on vakaa.
8. Pane kuusisivuinen kansi takaisin säätöruuvien päälle.

HUOMAA: Tarkin paineenrajoitusventtiilin asetus saadaan aloittamalla alhaisemmalla paineella ja säätämällä ylöspäin haluttuun paineenrajoitusventtiilin asetukseen.



VAROITUS: Laitevaurion ja tapaturman välttämiseksi älä yritä ylittää 10 000 psi (700 bar) maksimikäyttöpainetta.

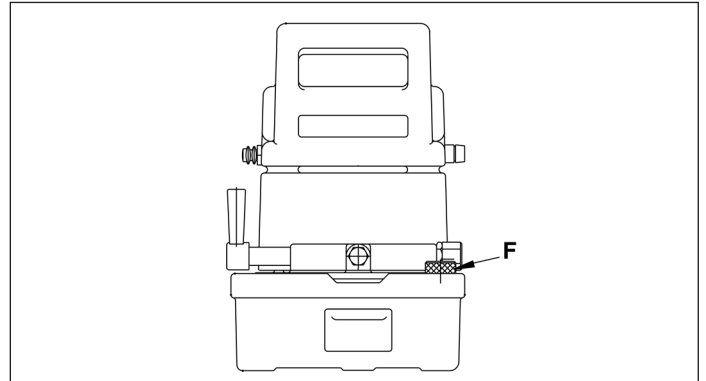
7.0 HUOLTO

7.1 Öljytason tarkistaminen

Tarkista säiliön hydraulioöljyn taso 40:n käyttötunnin välein. Lisää öljyä tarpeen mukaan, jotta taso on 1 cm täyttöaukon alapuolella. Käytä ainoastaan Enerpac hydraulioöljyä. Muiden öljyjen tai nesteiden käyttö voi vaurioittaa järjestelmää ja mitätöi Enerpac-takuusi.

7.2 Öljyn vaihto (Kuvio 10)

Tyhjennä säiliö kokonaan 100:n käyttötunnin välein. Täytä uudella hydraulioöljyllä. Jos pumpppua käytetään hyvin pölyisillä alueilla tai korkeissa lämpötiloissa, tyhjennä ja täytä uudeelleen useammin.



Kuvio 10

1. Säiliö tyhjenetään irrottamalla ilmanvaihto/täyttötulppa (F) säiliön oikeasta yläkulmasta.
2. Kallista pumpppua kunnes kaikki vanha öljy on valunut ulos.
3. Täytä uudella öljyllä saman aukon kautta. Säiliön tilavuus on 2,8 l tai 5,7 l mallista riippuen.
4. Pane täyttötulppa (F) paikalleen.

7.3 Säiliön puhdistaminen

Pumpun säiliö on irrotettavissa puhdistamista varten. Jos pumpppua käytetään jatkuvasti äärimmäisen pölyisessä ympäristössä, säiliö tulee puhdistaa kerran vuodessa.

1. Tyhjennä säiliö vaiheissa 1 ja 2 kohdassa "Öljyn vaihto" kuvatulla tavalla.
2. Irrota suojusta säiliöön kiinnittävät kuusi ruuvia. Nosta suojus pois säiliön päältä. Moottorin ympärillä on vaahtopehmuste sähköjohtimien pitämiseksi erillään moottorista. Ole varovainen, ettet vioita tai vedä irti johtimien liitoksia.
3. Irrota pumpppua säiliöön kiinnittävät kahdeksan ruuvia. Nosta pumppu säiliön päältä ja irrota tiiviste.

- Puhdista säiliö perusteellisesti sopivalla liuottimella.
- Kokoa pumppu ja säiliö takaisin ja asenna uusi tiiviste. Aseta suojuksen moottorin päälle siten, että suojuksen kahva tulee pumpun venttiilisivun suuntaan. Asenna kuusi kiinnitysruvia ja sisäiset/ulkoiset lukitusaluslevyt.

Jos pumppu vaatii korjaamista, ota yhteyttä paikalliseen valtuutettuun Enerpac-huoltopisteeseen.

7.4 Moottorin harjat

Tarkista sähkömoottorin harjat vähintään kahden vuoden välein. Jos pumppuja käytetään raskaissa sovelluksissa, tarkista harjat vähintään kuuden kuukauden välein.



VAARA: Mahdollisen sähkötapaturman välttämiseksi sähkö pitää kytkeä kokonaan irti pumpusta ennen harjojen huoltamista.

8.0 VIANETSINTÄ (ks. taulukkoa)

Vianetsintätaulukko on tarkoitettu oppaaksi auttamaan erilaisten mahdollisten pumppuongelmien tutkimista ja korjaamista.

Vain pätevät hydraulimekaanikot saavat suorittaa pumpun vianetsintää ja huoltoa. Ota yhteyttä paikalliseen valtuutettuun Enerpac-huoltopisteeseen korjauksen järjestämiseksi.

8.1 Automaattivaroke (pumput, joiden päiväskoodi on "F" tai sitä myöhempi)

Sähköisen ylikuormituksen tapahtuessa pumpun automaattivaroke laukeaa. Kun ylikuormituksen aiheuttaja on saatu selville ja korjattu, paina automaattivarokkeen painiketta sen palauttamiseksi.

8.2 Sulakkeet (pumput, joiden päiväskoodi on "F" tai sitä myöhempi)

Sisäiset sulakkeet suojaavat ohjausmuuntajan ensiö- ja toisiopiirejä. Jos sulake palaa, tutki ja korjaa vian aiheuttaja. Vaihda sen jälkeen palanut sulake oikein mitoitettuun uuteen sulakkeeseen. Katso sulakkeiden mitoitus oman pumppusi mallin varaosasivulta.



VAROITUS: Kytke aina sähkön syöttö pois ennen sulakkeiden vaihtamista.

Huomaa: Seuraavissa pumpuissa ei käytetä sulakkeita:

- Pumput, jotka on valmistettu ennen päiväskoodia "F".
- Mallit, joissa ei ole riippuhjainta (kaikki päiväskoodit).

9.0 TESTAUSSTANDARDIT

9.1 Canadian Standards Association (CSA)

Mikäli mainitaan, pumppuyksiköt täyttävät CSA:n, Canadian Standards Association -organisaation rakenne- ja testausvaatimukset (ks. CAN/CSA – C22.2 No. 68-92, "Motor operated appliances moottorikäyttöiset sähkölaitteet").

9.2 Conformité Européene (CE)

Mikäli mainitaan, EY-vaatimustenmukaisuusvakuutus ja CE-merkintä on toimitettu. Nämä tuotteet noudattavat eurooppalaisia standardeja EN982:1996, EN1050:1998 ja EN-ISO-12100-1&2:2003 sekä EY direktiivejä 2006/42/EY, 97/23/EY, 2004/108/EY, 2006/95/EY ja 97/23/EY.

VIANETSINTÄTAULUKKO

Ongelma	Mahdollinen syy	Ratkaisu
Pumppu ei käynnisty.	1) Ei sähkövirtaa. 2) Väärä jännite.	1) Tarkista sähkövirran syöttö. 2) Tarkista jännitteen ohjeavot sivulta 50.
Sylinteri ei työnnä tai vedä sisään.	1) Nestetaso matala. 2) Tulopuolen aukon sihti tukossa. 3) Venttiili väärässä asennossa. 4) Venttiilivika.	1) Täytä säiliö oikealle tasolle. 2) Puhdista tai vaihda tulopuolen aukon sihti. 3) Siirrä venttiili paineasentoon. 4) Anna pätevän hydraulikkamekaanikon korjata pumppu.
Sylinteri työntyy ja vetäytyy sisään epätasaisesti.	1) Ilmaa järjestelmässä. 2) Ulkoinen vuoto järjestelmässä. 3) Sisäinen hydrauliiikan vuoto.	1) Poista ilma järjestelmästä, avaamalla ja sulkemalla työkalua, kunnes toiminta on tasaista. 2) Kiristä vuotavat liitokset. Vaihda vioittuneet letkut ja liittimet. 3) Anna pätevän hydraulikkamekaanikon korjata pumppu.
Pumppu ei pidä yllä painetta.	1) Ulkoinen hydrauliiikan vuoto. 2) Sisäinen hydrauliiikan vuoto.	1) Kiristä vuotavat liitokset. Vaihda vioittuneet letkut ja liittimet. 2) Anna pätevän hydraulikkamekaanikon korjata pumppu.
Alhainen nesteentulo.	1) Nestetaso matala. 2) Pumpun rakenneosat vuotavat. 3) Ohitusventtiilin toimintahäiriö. 4) Nesteen tulopuolen aukon sihdit mäntälohkoissa saattavat olla roskien tukkimat.	1) Täytä säiliö oikealle tasolle. 2) Testaa vuotojen paikantamiseksi. 3) Anna pätevän hydraulikkamekaanikon korjata pumppu. 4) Tarkasta tulopuolen aukon sihdit. Huuhtelee roskat pois kaikista rakenneosista. Vaihda kaikki vialliset osat.

L2062 Rev. I 02/21

NO

Oversikt over reparasjonsdeler for dette produktet er tilgjengelig fra hjemmesiden til Enerpac på www.enerpac.com, eller fra ditt nærmeste autoriserte Enerpac Service Senter eller Enerpac Salgskontor.

1.0 VIKTIG VED MOTTAK AV PRODUKTET

Foreta en visuell inspeksjon av alle komponenter for å forvise deg om at ikke noe er skadd under transporten. Transportskader er ikke dekket av produktgarantien. Dersom du finner transportskader må du øyeblikkelig kontakte transportøren. Transportøren er ansvarlig for alle utgifter til reparasjon og nye deler som oppstår som en følge av transportskade.

SIKKERHET I HØYSETET

2.0 SIKKERHETSFORSKRIFTER



Les alle instruksjer og advarsler nøye. Følg alle råd om sikkerhet for å unngå skade på person eller eiendom ved drift av systemet. Enerpac kan ikke påta seg ansvar for skade på person eller materiell som følger av usikker bruk av produktet, mangel på vedlikehold eller uriktig bruk av produkt eller system. Kontakt Enerpac dersom du er i tvil om sikker bruk av produktet. Har du ikke fått sikkerhetsopplæring mht. høytrykkshydraulikk, ber vi deg kontakte din forhandler eller ditt servicesenter for informasjon om Enerpacs hydraulikksikkerhetskurs.

Det er viktig å rette seg etter følgende forskrifter og advarsler for å unngå skade på personer og utstyr.

FORSIKTIG brukes for å indikere korrekte prosedyrer for drift eller vedlikehold for å unngå skader på-, eller ødeleggelse av utstyret eller annen eiendom.

ADVARSEL indikerer en potensiell fare som krever korrekte prosedyrer eller bruksmåter for å unngå personskade.

FARE brukes kun når din handling eller mangel på handling kan forårsake alvorlig skade eller død.



ADVARSEL: Bruk riktig personlig verneutstyr når du bruker hydraulisk utstyr.



ADVARSEL: Hold deg klar av laster som støttes av hydraulikk. En sylinder, når den brukes til å løfte laster, bør aldri benyttes som lasteholder. Etter at lasten er hevet eller senket, må den alltid blokkeres mekanisk.



ADVARSEL: BRUK KUN SOLIDE DELER TIL Å HOLDE LASTER. Være nøye med å velge stål- eller treklosser som kan holde lasten. Bruk aldri en hydraulisk sylinder som en foring eller avstandshylse ved løft eller press.



FARE: For å unngå personskade må man holde hender og føtter unna muttertrekkerens reaksjonsarm og arbeidstykket ved bruk.



ADVARSEL: Ikke overskrid utstyrets spesifikasjoner. Prøv aldri å løfte en last som veier mer enn sylindrens kapasitet. Overlast fører til at utstyret bryter sammen, og til mulig personskade. Sylindrene er konstruert for et maks. trykk på 700 bar [10 000 psi]. Ikke kople jekk eller sylinder til en pumpe med høyere trykkspesifikasjoner.



Sett aldri sikkerhetsventilen på et høyere trykk enn pumpens maksimale trykkapasitet. Høyere innstilling kan føre til skade på utstyret og/eller personskade.



ADVARSEL: Systemets arbeidstrykk på ikke overstige trykkklasse av den lavest klasserte komponenten i systemet. Installer trykkmålere i systemet for å overvåke driftstrykk. Det er ditt vindu inn til hva som skjer i systemet.



FORSIKTIG: Unngå skader på hydrauliske slanger. Unngå bøyning og krølling når de hydrauliske slangene legges ut. Å bruke en bøyd eller krøllet slange vil skape et alvorlig mottrykk. Skarpe bøyer eller krøll vil umiddelbart skade slangen og føre til tidlig slangefeil.



Ikke slipp tunge gjenstander på slangen. Et hardt slag kan føre til skade på slangens armering. Å sette trykk på en skadet slange kan få den til å revne.



VIKTIG: Ikke løft hydraulisk utstyr i slangen eller svingelkoblinger. Bruk bærehåndtaket eller andre sikre måter å bære på.



FORSIKTIG: Hold hydraulisk utstyr unna åpen ild og varme. For mye varme vil gjøre pakninger og forseglinger bløte, noe som fører til væskelekkasje. Hete svekker også slangematerialet og pakninger. For best mulig ytelse bør ikke utstyret utsettes for temperaturer over 65 °C. Beskytt slanger og sylindere mot sveisesprut.



FARE: Ikke håndter slanger under trykk. Oljesprut under trykk kan gå gjennom huden og gjøre alvorlig skade. Dersom olje er trenger gjennom huden må man oppsøke lege med en gang.



ADVARSEL: Bruk kun muttertrekkere i et tilkoblet system. Bruk aldri en muttertrekker uten tilkoblede koblinger. Hvis muttertrekkeren blir ekstremt overbelastet kan komponenter feile katastrofalt og forårsake alvorlige personskader.

**ADVARSEL: SØRG FOR AT OPPSETTET ER STABIL FØR LAST LØFTES.**

Sylindere skal plasseres på et plant underlag som kan bære lasten. Ved behov skal det brukes grunnplate på sylindere for å øke stabiliteten. Ikke bruk sveising eller modifiser sylindere på annen måte for å feste en grunnplate eller annen støtte.



Unngå situasjoner der last ikke er direkte sentrert på sylindrens stempel. Skjev last gir stor belastning på sylindere og stempel. I tillegg kan lasten gli eller falle, og skape potensielt farlige situasjoner.



Fordel lasten jevnt over hele trykkhodets overflate. Bruk alltid trykkhode for å beskytte stempelet.



VIKTIG: Hydraulisk utstyr må kun få service av en kvalifisert hydraulikktekniker. For reparasjoner, kontakt et Autorisert ENERPAC Servicesenter i din region. For å beskytte garantien, bruk bare ENERPAC hydraulikkolje.



ADVARSEL: Bytt umiddelbart ut slitte eller skadde deler med ekte ENERPAC-deler. Uoriginale deler vil gå i stykker og forårsake skade på personer og eiendom. ENERPAC-deler er designet for å passe riktig og for å tåle store påkjenninger.



OBS: Kontroller spesifikasjonene og motorens typeskilt. Bruk av feil strømkilde vil skade motoren.

4.0 INSTALLASJON

4.1 Hydrauliske koblinger

Bruk 1 - 1,5 omdreininger med Teflon-tape (eller passende gjengestoff) på alle gjenger, men la den første hele gjengen være fri for tape for å unngå at tapebiter kommer inn i det hydrauliske systemet og forårsaker skade. Trim løse ender.



ADVARSEL: For at systemet skal fungere godt, må du unngå at slangene knekkes eller bøyes. Hvis en slange får en knekk eller skades på annen måte, må den skiftes ut. Skadede slanger kan revne under høyt trykk, og kan forårsake personskader.

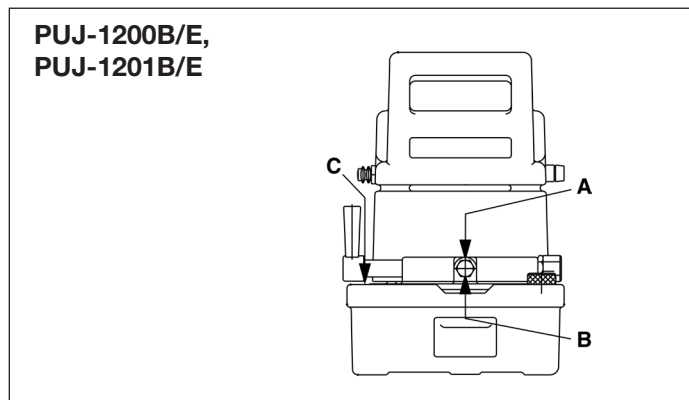
3.0 SPESIFIKASJONER

	Modeller "B"	Modeller "E"
Driftstrykk	700 bar [0 - 10 000 psi] {70 mPa}	
Strømkilde	15 A 120 V jordet 1-faset 50/60 Hz	10 A 220 V 1-faset 50/60 Hz
Motoreffekt	Motoreffekt 0,5 HK universal, 9 A ved 700 bar [10 000 psi] og 12 000 o/min virker med 60-125 V, 85-89 dBA	0,37 kW universal, 4 A ved 700 bar [10 000 psi] {70 mPa} og 12 000 o/min 85-89 dBA
Strømningshastighet	3,3 l/min ved 0-14 bar [0-200 psi] {0-1,4 mPa} 0,33 l/min ved 700 bar [10 000 psi] {70 mPa}	
Maks. driftstemperatur	65°C	

Modellnr.	Brukt med sylinder	Ventiltipe	Netto oljekapasitet	Vekt
PUD-1100B/E	Enkeltvirkende	Tømmeventil	2,00 l	14 kg
PUD-1101B/E			3,79 l	20 kg.
PUD-1300B/E	Enkeltvirkende	Tømme/holde	2,00 l	14 kg
PUD-1301B/E			2,00 l	20 kg
PUJ-1200B/E	Enkeltvirkende	3-veis, 2-stillings	2,00 l	12 kg
PUJ-1201B/E			3,79 l	18 kg
PUJ-1400B/E	Dobbeltvirkende	4-veis, 3-stillings	2,00 l	15 kg
PUJ-1401B/E			3,79 l	20 kg

Modeller PUJ-1200B/E, PUJ-1201B/E (Figur 2)

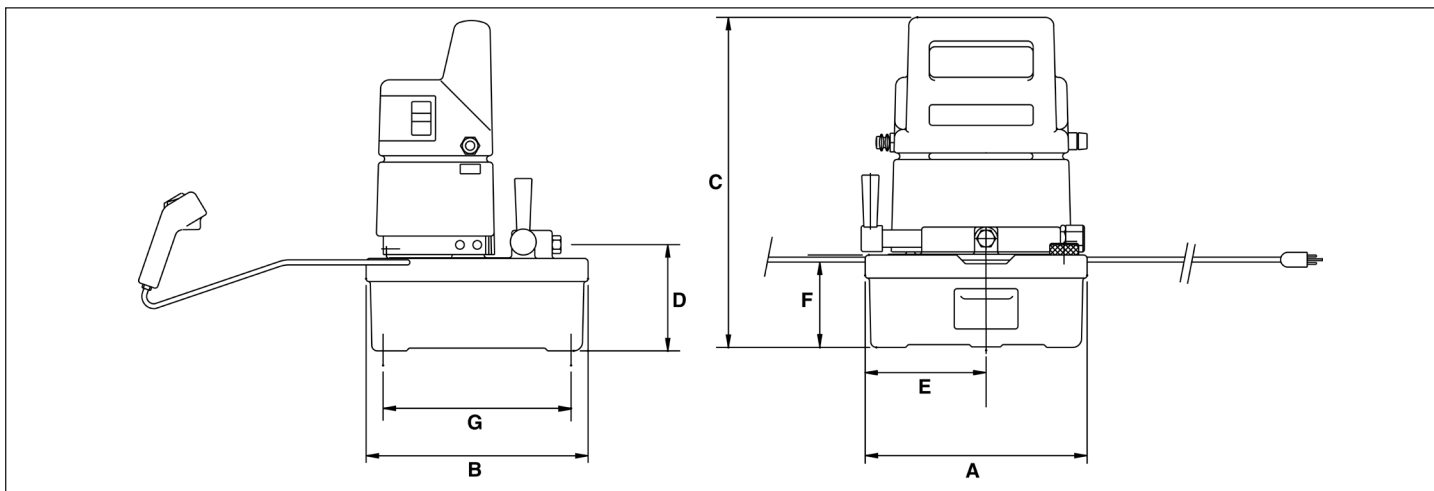
1. Fjern transportpluggen fra målerporten (1/4"-18 NPTF) (A) på toppen av kontrollventilen.
2. Installer en 1 035 bar [0 - 15 000 psi] trykkmåler i målerporten (A).
3. Om nødvendig, tres en hydraulisk slange i utløpsporten på ventilen (3/8"-18 NPTF) (B).
4. Koble en returledning ved å tre en slange inn i tankreturporten (C).



Figur 2

Modeller PUJ-1400B/E, PUJ-1401B/E (Figur 3)

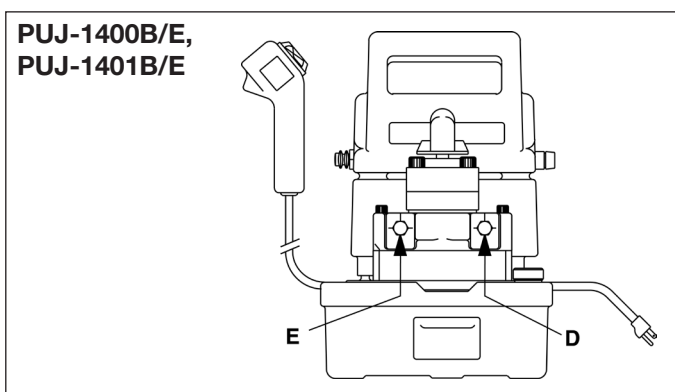
1. Fjern transportpluggen fra ventilfremføringsporten (D). Installer en måleradapter i fremføringsporten (3/8"-18 NPTF) (D).
2. Installer en 1 035 bar [15 000 psi] trykkmåler i den øverste porten på måleradapteren.
3. Installer en hydraulikkslange i endeporten på målerens utløpsadapter (3/8"-18 NPTF). Koble slangens koblingsflens til sylindrefremføringskoblingsflens. Trekk til koblingskragen godt for hånd. IKKE bruk verktøy til å trekke til koblerhalvdelene.
4. Hvis du bruker en dobbeltvirkende krets, installerer du en slange i tilbaketrekingsporten (E) på kontrollventilen. Koble slangens koblingsflens til sylindertilbakeføringskoblingsflens.



Figur 1

Dimensjoner [cm]								
Modells	A	B	C	D	E	F	G	H
PUD-1100B/E, PUD-1300B/E, PUJ-1200B/E, PUJ-1400B/E	24,43	24,43	36,20	11,99	13,34	10,16	20,62	1,90
PUD-1101B/E, PUD-1301B/E, PUJ-1201B/E, PUJ-1401B/E	30,94	36,83	10,54	13,00	14,27	10,54	32,43	1,57

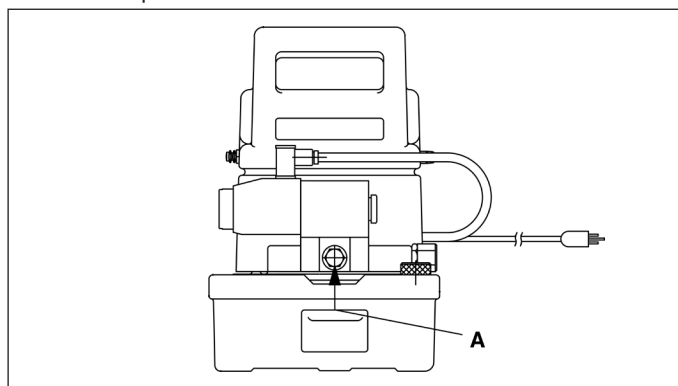
Dimensjonen "D" på PUJ-1400B/E er 15,7 cm. På PUJ-1401B/E er den 16,7 cm.



Figur 3

Modeller PUD1100B/E, PUD-1101B/E, PUD1300B/E og PUD1301B/E

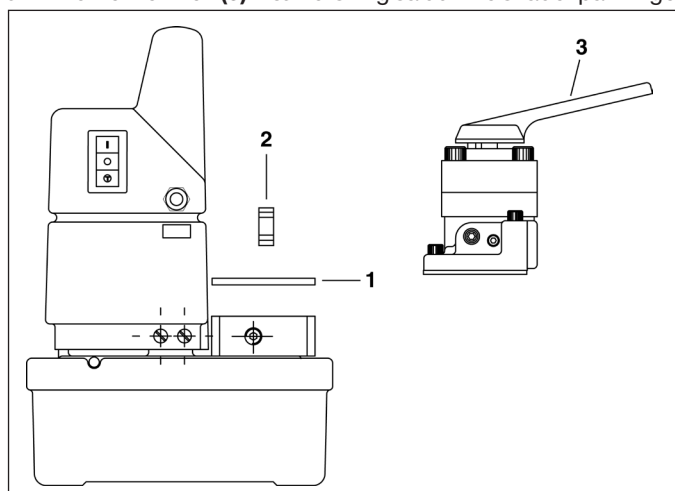
1. Slangen mellom pumpe og sylinder festes direkte til utløpsporten (A) på kontrollventilen (se Figur 4).
2. Hvis du ønsker en måler til å overvåke systemtrykket, må du installere en måleradapter i ventilens utløpsport (A). Installer en 700 bar [0 - 10 000 psi] trykkmåler i målerporten på måleradapteren.



Figur 4

4.2 Ventilmontering (Figur 5)

1. Fjern platen (Nr. 1, D43918098).
2. Kontroller at koplingen (2) er installert på pumpen. Hvis ikke, installer koplingen. Vær forsiktig så du ikke skader pakningene.
3. Monter ventilen (3). Vær forsiktig så du ikke skader pakningene.

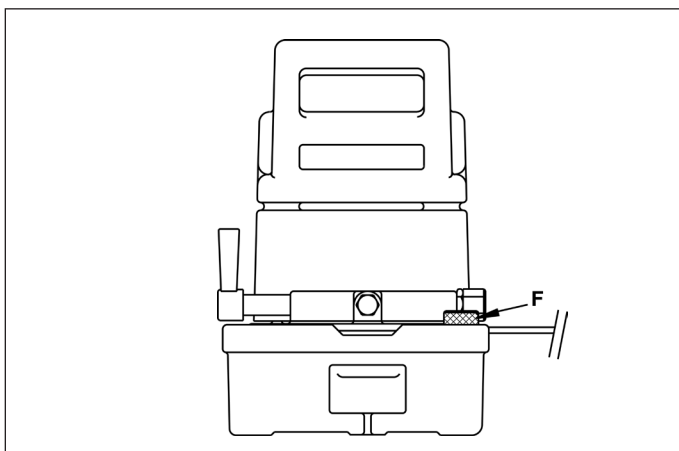


Figur 5

4.3 Fyll olje (Figur 6)

Sjekk oljestanden ved å skru opp og fjerne luften-/fyllpluggen (F). Fyll på med Enerpac hydraulikkolje til oljen er 1 cm under luften-/fyllåpningen.

VIKTIG: Fyll på olje kun når alle systemkomponenter er fullstendig trukket tilbake, hvis ikke vil systemet inneholde mer olje enn det er plass til i tanken.



Figur 6

5.0 BRUK

MERK: For å unngå strømtap mellom stikkkontakten og pumpemotoren, bør du bruke kortest mulig skjoteledning. Pumpemotoren vil virke ved lav spenning, men motorhastigheten og oljestrømmen vil bli redusert.

1. Kontroller alle systemets koblinger og påse at de er tette og uten lekkasje.
2. Kontroller oljestanden og etterfyll ved behov.
3. Åpne pumpens luftplugg (F), på det fremre høyre hjørnet av tanken, ved å dreie den 1-2 omdreininger.

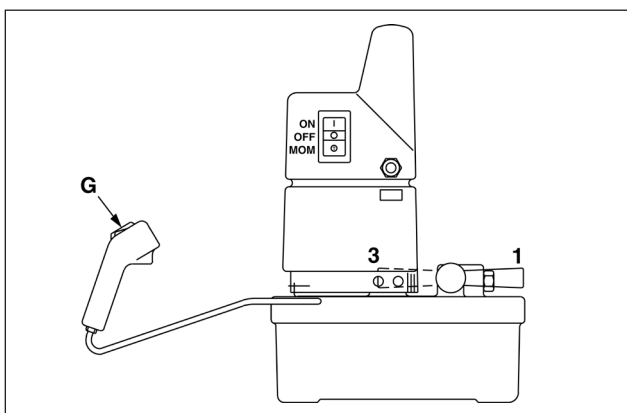


OBS: Luftpluggen må alltid åpnes når pumpen er i gang.

5.1 Bruk av brytere (Figur 7)

Versjon "B" krever en 15 A, 120 V jordet 1-faset krets. Versjon "E" krever 220 V 1-faset. Pumpens strømledning er 1 - 1,5 m lang.

1. Pumpebryteren sitter på siden av pumpedekslet. Det er en bryter med tre stillinger. Øverste stilling er "ON" (på), midtstillingen er "OFF" (av) og bunntstillingen er "MOM" (midlertidig). Når du trykker bryteren til "ON", aktiveres strømkretsen, men pumpemotoren startes ikke. Pumpemotoren startes med bryteren på fjernkontrollen (G).
2. Når du trykker på den nedre delen av bryteren, vil pumpen gå så lenge du holder bryteren inne. Når du slipper bryteren, stanser pumpen. Denne midlertidige stillingen brukes som et alternativ til fjernkontrollen.



Figur 7

5.2 Pumpens kontrollventil på modeller PUJ-1200B/E og PUJ-1201B/E

Pumpens kontrollventil dirigerer hydraulikkvæskens strømning til og fra hydraulikksystemets komponenter. Disse modellene har 3-veis, 2-stillings ventiler. Ventilstillingene vises i Figur 8: (1)- Fremføring, (3)- Tilbaketrekking. For å føre frem sylindren, setter du ventilen i fremføringsstillingen (1) og trykker på bryteren på fjernkontrollen.

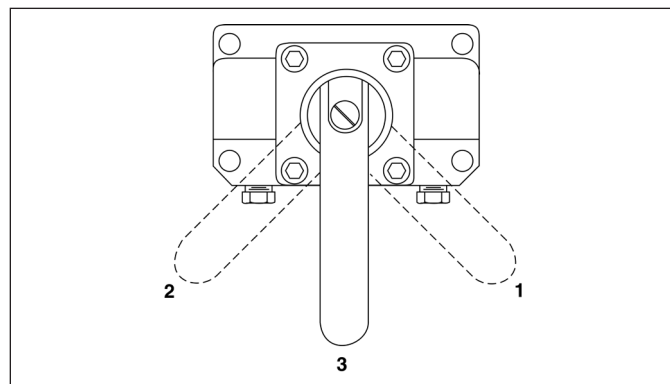
Sylindren føres frem til fjernkontrollens bryter slippes.

For å trekke sylindren tilbake, setter du ventilen i tilbaketrekkingstillingen (3).

Sylindren vil trekkes tilbake uansett om pumpen går eller ikke.

Modeller PUJ 1400B/E, PUJ-1401B/E (Figur 8)

Kontrollventilene på pumpene PUJ-1400B/E og PUJ-1401B/E er 4-veis, 3-stillings til bruk med dobbeltvirkende sylindere der fremføring og tilbaketrekking aktiveres hydraulisk. Ventilstillingene vises i Figur 8: 1 - Fremføring, 2 - Tilbaketrekking, 3 - Nøytral. I hver stilling kontrolleres sylinderebevegelsen med fjernkontrollbryteren.



Figur 8

Modeller PUD-1100B/E og PUD-1101B/E

PUD-1100B/E og PUD-1101B/E driver enkeltvirkende sylindere der det ikke er behov for en holdefunksjon. Når du trykker på fjernkontrollbryteren, starter motoren og sylindren føres frem. Når bryteren slippes, vil sylindren trekkes tilbake.

Modeller PUD1300B/E og PUD1301B/E

PUD1300B/E og PUD1301B/E driver enkeltvirkende sylindere der det er behov for en holdefunksjon. Trykk på fremføringsknappen for å starte pumpen og føre frem sylindren.

Når du slipper fremføringsknappen, vil pumpen stanse og sylindren vil holde lasten med ventilen. Når du trykker på tilbaketrekkingknappen, vil ventilen skifte og gjøre at lasten kan trekkes tilbake.

MERK: Ettersom tiden motoren bruker på å stanse kan variere, avhengig av lasten, vil fremføringen av lasten kanskje ikke stanse med én gang knappen slippes. Det kan være en liten sylinderebevegelse mens motoren stanser.

5.3 Termobryter (alle modeller)

For å beskytte pumpen mot skade, vil en intern termobryter slå av motoren når oljetemperaturen 65° C. Når temperaturen faller til 54° C, tilbakestilles bryteren automatisk.

5.4 Fjerne luft

Når det hydrauliske systemet kobles sammen første gang, vil det være luft i komponentene. For å sikre jevn og sikker drift, må du fjerne luften ved å kjøre systemet gjennom flere fullstendige

sykluser uten last på sylindrene. Når sylindrene føres frem og trekkes tilbake uten nøling, betyr det at systemet er uten luft.

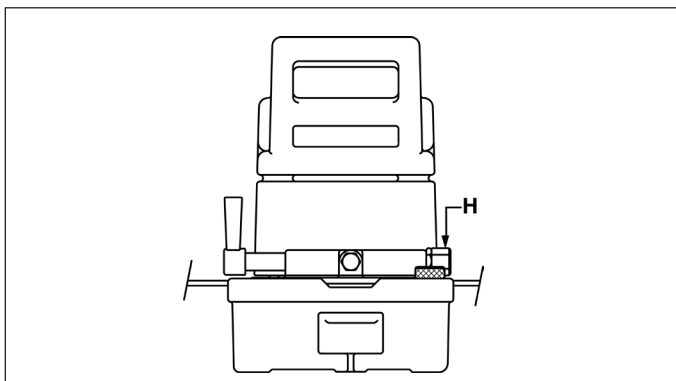


ADVARSEL: For å unngå skade på personer og utstyr, må du ikke fortsette å sette trykk på sylindrene etter at de har nådd maks. slag eller maks. driftstrykk.

6.0 JUSTERING AV AVLASTNINGSVENTIL (Figur 9)

Pumpens hovedavlastningsventil er intern og kan ikke justeres. Den er fra fabrikk satt til et maksimalt driftstrykk på 700 bar [10 000 psi]. Det sitter en ekstra ekstern avlastningsventil finnes under en sekskanthette på høyre side av pumpen. Den eksterne avlastningsventilen kan justeres fra 700 bar [10 000 psi] ned til 140 bar [2 000 psi]. Grensene for driftstrykk kan reduseres til under 700 bar [10 000 psi], men ikke til over 700 bar [10 000 psi]. (Modellene PUJ-1400B/E og PUJ-1401B/E er ikke utstyrt med ekstern, justerbare avlastningsventiler.)

1. Installer en måler som anvist i instruksjonene på side 57.
2. Sett en plugg i ventilens utløpsport.
3. Fjern sekskanthetten (H) som dekker avlastningsventilens justeringsskrue.
4. Bruk en sekskantnøkkel og drei justeringsskruen mot klokken en hel omdreining.
5. Slå pumpen "ON" (på) og kjør pumpemotoren. Følg med på måleravlesningen for maksimalt trykk. Stans pumpen.
6. Fortsett å justere innstillingen til du oppnår ønsket trykk.
7. Sjekk innstillingen ved å kjøre pumpen flere ganger. Hvis måleren viser det samme hver gang, er ventillinstillingen stabil.
8. Sett sekskanthetten tilbake på plass for å dekke over justeringsskruen.



Figur 9

MERK: Den mest nøyaktige innstillingen av avlastningsventilen får du ved å starte med et lavt trykk og justere opp til ønsket trykkinnstilling.



ADVARSEL! For å unngå skade på personer eller utstyr, må du ikke forsøke å overskride et maksimalt driftstrykk på 700 bar [10 000 psi].

7.0 VEDLIKEHOLD

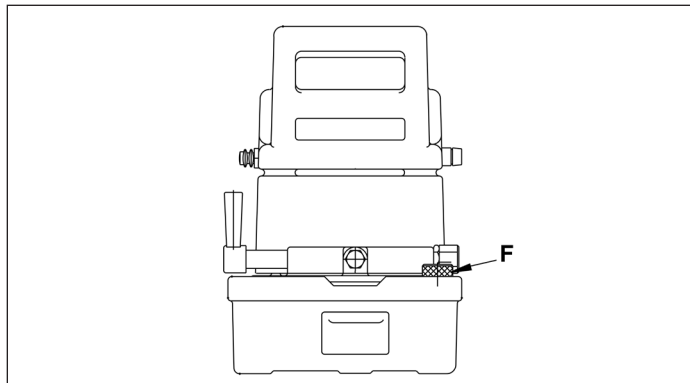
7.1 Sjekk oljestanden

Sjekk oljen på tanken hver 40. driftstime. Tilsett olje etter behov for å bringe nivået opp til 1 cm under fylleåpningen. Bruk kun Enerpac hydraulikkolje. Bruken av annen olje eller væske kan skade systemet og vil annullere garantien fra Enerpac.

7.2 Skifte olje (Figur 10)

Tanken bør tappes helt av etter hver 100 driftstimer. Etterfyll med ny hydraulikkolje. Hvis pumpen brukes i svært støvete omgivelser eller ved høye temperaturer, må du tappe den av og etterfylle oftere.

1. For å tappe av tanken, fjerner du luften-/fyllepluggen (F) fra øverste høyre hjørne av tanken.
2. Tipp pumpen til all gammel olje har rent ut.
3. Fyll på ny olje gjennom samme åpning. Tanken har en kapasitet på 2,8 liter eller 5,7 liter, avhengig av modellen.
4. Sett i fyllepluggen igjen (F).



Figur 10

7.3 Rengjøring av tanken

Pumpetanken kan tas av for rengjøring. Hvis pumpen hele tiden brukes i støvete omgivelser, bør den rengjøres en gang om året.

1. Tapp av tanken som beskrevet i trinn 1 og 2 under "Skifte olje".
2. Fjern de seks skruene som holder dekslet på tanken. Løft dekslet av tanken. Det ligger skumgummi rundt motoren for å holde elektriske ledninger unna motoren. Vær forsiktig så du ikke skader eller trekker ledningsfestene løs fra koblingsklemmene.
3. Fjern de åtte skruene som holder pumpen på tanken. Løft pumpen av tanken og fjern pakningen.
4. Rengjør tanken grundig med et passende løsemiddel.
5. Sett sammen pumpen og tanken igjen, og installer en ny pakning. Plasser dekslet over motoren med hendelen pekende mot ventilens side av pumpen. Sett i de seks festeskruene og interne/eksterne låseskiver.

Hvis pumpen må repareres, kontakter du et lokalt Enerpac servicesenter.

7.4 Motorbørster

Sjekk børstene på den elektriske motoren minst annethvert år. På pumper som brukes tungt, må børstene sjekkes minst hvert halvår.



FARE: For å unngå elektriske støt, må pumpen koples fullstendig fra strømforsyningen før det utføres service på børstene.

8.0 FEILSØKING (se diagrammet)

Feilsøkingsskjemaet er en rettleiding for å hjelpe deg å identifisere og korrigere forskjellige problemer med pumpen.

Kun kvalifiserte hydraulikere bør feilsøke og gjøre service på pumpen. For reparasjoner bes du kontakte ditt lokale, autoriserte Enerpac servicesenter.

8.1 Automatsikring (pumper med datokode "F" og senere)

Ved en elektrisk overbelastning vil pumpens automatsikring slå ut. Etter å ha undersøkt og korrigert kilden til overbelastningen, trykker du på automatsikringsknappen for å tilbake stille den.

8.2 Sikringer (pumper med datokode "F" og senere)

Interne sikringer beskytter de primære og sekundære kretsene til kontrolltransformatoren. Hvis en sikring går, må du undersøke og korrigere feilkilden. Deretter må du skifte ut den gamle sikringen med en ny med samme nominelle sikringsstrøm. For nominell sikringsstrøm, se reservedelsbladet for din pumpemodell.



ADVARSEL: Koble alltid fra strømmen før du skifter sikringer.

Merk: Sikringer brukes ikke på følgende pumper:

- Pumper produsert før datokode "F".
- Modeller utstyrt med fjernkontroll (alle datokoder).

9.0 TESTSTANDARDER

9.1 Canadian Standards Association (CSA)

Der det er spesifisert, oppfylder pumpene design-, monterings- og testkravene til CSA, Canadian Standards Association (se CAN/CSA – C22.2 Nr. 68-92, Motordrevne apparater).

9.2 Conformité Européene (CE)

Der det er spesifisert, har produktet EC-samsvarserklæring og CE-merking. Disse produktene oppfylder kravene til EU-standarder EN982:1996, EN1050:1998 og EN-ISO-12100-1&2:2003, og EU-direktiver 2006/42/EC, 97/23/EC, 2004/108/EC, 2006/95/EC og 97/23/EC.

FEILSØKINGSDIAGRAM

Ongelma	Mulig årsak	Løsning
Pumpen vil ikke starte.	1) Ingen strøm. 2) Feil spenning.	1) Sjekk strømkilden. 2) Sjekk spesifisert spenning på side 56.
Sylinderen kan ikke fremføres eller trekkes tilbake.	1) Lavt væsknivå. 2) Inntaksfilteret tilstoppet. 3) Ventilen i feil posisjon. 4) Ventilfeil.	1) Fyll tanken til korrekt nivå. 2) Rengjør eller skift ut inntaksfilteret. 3) Sett ventilen i trykkposisjon. 4) Få pumpen reparert av en kvalifisert hydraulikktekniker.
Sylinteri työntyy ja vetäytyy sisään epätasaisesti.	1) Luft i systemet. 2) Ekstern systemlekkasje. 3) Intern hydraulikklekkasje.	1) Fjern luften i systemet ved å åpne og lukke verktøyet til det fungerer jevnt. 2) Trekk til lekk forbindelser. Skift ut skadede slanger og koblinger. 3) Få pumpen reparert av en kvalifisert hydraulikktekniker.
Pumpen holder ikke på trykket.	1) Ekstern hydraulikklekkasje. 2) Intern hydraulikklekkasje.	1) Trekk til lekk forbindelser. Skift ut skadede slanger og koblinger. 2) Få pumpen reparert av en kvalifisert hydraulikktekniker.
Liten væskeutgang.	1) Lavt væsknivå. 2) Pumpekomponentenes deler lekker. 3) Feil på omløpsventilen. 4) Væskinntaksfilteret på stempelblokkene kan være tilstoppet av rester.	1) Fyll tanken til korrekt nivå. 2) Test for å isolere lekkasjer. 3) Få pumpen reparert av en kvalifisert hydraulikktekniker. 4) Inspiser inntaksfiltrene. Skyll alle komponentene. Skift ut alle skadede komponenter.

L2062

Rev. I

02/21

SE

Reparationsanvisningar för elektriska pumpar och till denna produkt finns tillgängliga på Enerpacs webbsida på www.enerpac.com, eller från ditt närmaste Enerpac auktoriserade servicecenter eller på Enerpacs försäljningskontor.

1.0 VIKTIGA MOTTAGNINGSSINSTRUKTIONER

Kontrollera att inga komponenter skadats under transport. Transportskador täcks inte av garantin. Meddela budet direkt om transportskador hittats. Budet ansvarar för alla reparations- och utbyteskostnader som uppkommit på grund av transportskador.

SÄKERHETEN FÖRST

2.0 SÄKERHETSFRÅGOR



Läs noggrant igenom alla instruktioner, varningar och försiktighetsåtgärder. Följ alla säkerhetsåtgärder för att undvika personskador eller skador på egendom under systemdrift. Enerpac kan inte hållas ansvariga för skada eller skador som uppkommit på grund av olämplig produktanvändning, brist på underhåll eller felaktig produkt- och/eller systemdrift. Om du aldrig utbildats på säkerhet rörande högtryckshydraulik ska du kontakta distributions- eller servicecentret för information om säkerhetskurser för Enerpac-hydraulik.

Att inte följa de följande försiktighetsåtgärderna och varningarna kan orsaka skador på utrustning och människor.

EN **FÖRSIKTIGHETSÅTGÄRD** används för att påvisa korrekta drifts- och underhållsprocedurer för att förhindra skador på utrustning eller annan egendom

EN **VARNING** indikerar en möjlig fara som kräver korrekta procedurer och rätt användning för att undvika personskador.

EN **RISK** visas bara när dina handlingar eller icke utförda handlingar kan orsaka allvarliga skador eller till och med dödsfall.



VARNING: Använd lämplig personlig skyddsutrustning när hydraulisk utrustning används.



VARNING: Befinn dig inte nära laster som hålls uppe genom hydraulik. En cylinder, som används som lastlyftare, får aldrig användas som lasthållare. Efter att lasten höjts och sänkts måste den alltid vara mekaniskt blockerad.



VARNING: ANVÄND BARA MYCKET HÅLLBAR UTRUSTNING FÖR ATT SÄKRA LASTERNA. Välj noggrant ut stål- och träblock som kan hålla lasten uppe. Använd aldrig en hydraulisk cylinder som ett mellanlägg i någon lyft- eller pressanordning.



FARA: Håll händer och fötter borta från cylinder och arbetsyta vid drift för att undvika personskador.



VARNING: Överskrid inte utrustningens prestationsförmåga. Försök aldrig lyfta en last som väger mer än cylindern klarar av. Överlastning orsakar fel i utrustningen och möjliga personskador. Cylindrarna har tillverkats för en maxvikt på 700 bar [10 000 psi]. Försök inte koppla en jack eller en cylinder till en pump som klarar ett högre tryck.



STÄLL ALDRIG in ventilen till ett högre tryck än det maximala tryck pumpen klarar av. En högre inställning kan resultera i skador på utrustning och/eller personskador.



VARNING: Systemets driftstryck får inte överstiga det trycket på den komponent som har lägst max. tryck, i systemet. Installera tryckmätare i systemet för att övervaka driftstrycket. Det är så du kan se vad som händer i systemet.



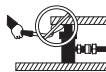
IAKTTA FÖRSIKTIGHET: Undvik att skada den hydrauliska slangen. Undvik snäva böjningar och öglor vid hantering av de hydrauliska slangarna. Användning av böjda eller öglade slangar kan orsaka undertryck. Snäva böjningar och öglor kan skada slangen invändigt vilket orsakar för tidig utslitning.



Släpp inte tunga saker på slangen. En hård stöt kan orsaka invändiga skador på slangens vajer slingor. Att applicera tryck på en skadad slang kan göra att den går sönder.



VIKTIGT: Lyft inte den hydrauliska utrustningen med slangarna eller snabbkopplingarna. Använd bärhandtagen eller andra hjälpmedel för en säker transport.



IAKTTA FÖRSIKTIGHET: Håll den hydrauliska utrustningen borta från brand och hetta. För mycket hetta kan göra att packningarna och ventiler skadas, vilket resulterar i vätskeläckor. Hetta skadar också slangarna och packningarna. Utsätt inte utrustningen för temperaturer på 65 °C [150 °F] eller högre för en optimal prestanda. Skydda slangar och cylindrar från svetsstänk.



FARA: Hantera inte slangar med under tryck. Olja som tar sig ut under tryck kan penetrera huden och orsaka allvarliga skador. Uppsök läkare direkt om oljan sprutas in under huden.



VARNING: Använd bara hydrauliska cylindrar i ett kopplat system. Använd aldrig en cylinder med icke fästa kopplingar. Om cylindern blir extremt överbelastad kan komponenterna skadas vilket kan orsaka allvarliga personskador.



VARNING: SÄKERSTÄLL ATT UPPSTÄLLNINGARNA ÄR STABILA INNAN LASTLYFTNING. Cylindrarna skall placeras på en platt yta som kan hålla lasten. Använd en cylinderbas för ökad stabilitet när så är tillämpligt. Svetsa inte eller på annat sätt modifiera cylindern för att fästa en bas eller annat stöd.



Undvik situationer när laster inte är direkt centrerade på cylinderkolvorna. Ocentrerade laster belastar cylindrarna och kolvorna avsevärt. Dessutom kan lasten glida eller falla vilket orsakar möjliga farliga resultat.



Fördela lasten jämnt över hela lastytan. Använd alltid lastfördelning för att skydda kolven.



VIKTIGT: Hydraulisk utrustning får bara underhållas av en behörig hydraulisk tekniker. Kontakta ett behörigt ENERPAC servicecenter i ditt område vid behov av reparationer. Använd bara ENERPAC-olja för att skydda din garanti.



VARNING: Byt direkt ut utslitna eller skadade delar med äkta ENERPAC-delar. Standarddelar kan gå sönder vilket orsakar personskador och egendomsskador. ENERPAC-delar är tillverkade för att passa perfekt och motstå höga laster.



VAR FÖRSIKTIG! Kontrollera specifikationer och motorns märkdata. Använder du felaktig strömkälla skadas motorn.

4.0 MONTERING

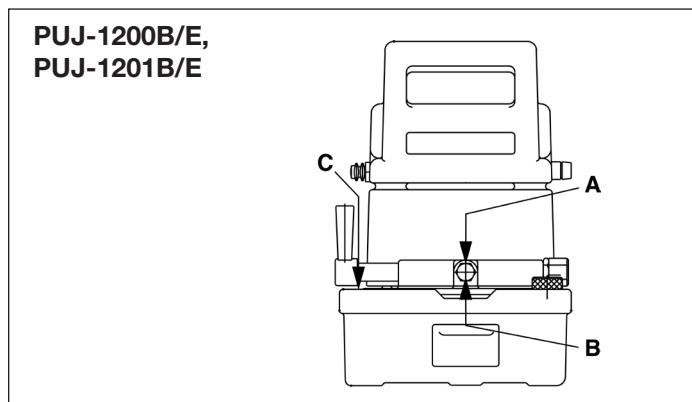
4.1 Hydrauliska anslutningar

Använd 1-1/2 varv teflonband (eller passande gängtätning) på alla gängor. Lämna den första kompletta gängan utan tejp så att tejp inte sprids i hydraulsystemet och orsakar skador. Klipp bort lösa ändrar



VARNING! För att säkerställa korrekt funktion, undvik skarpa böjar eller hårt böjda slangar. Om en slang blir böjd eller skadad måste den bytas ut. Skadade slangar kan spricka vid höga tryck, vilket orsakar personskador.

Modellerna PUJ-1200B/E, PUJ-1201B/E (Figur 2)



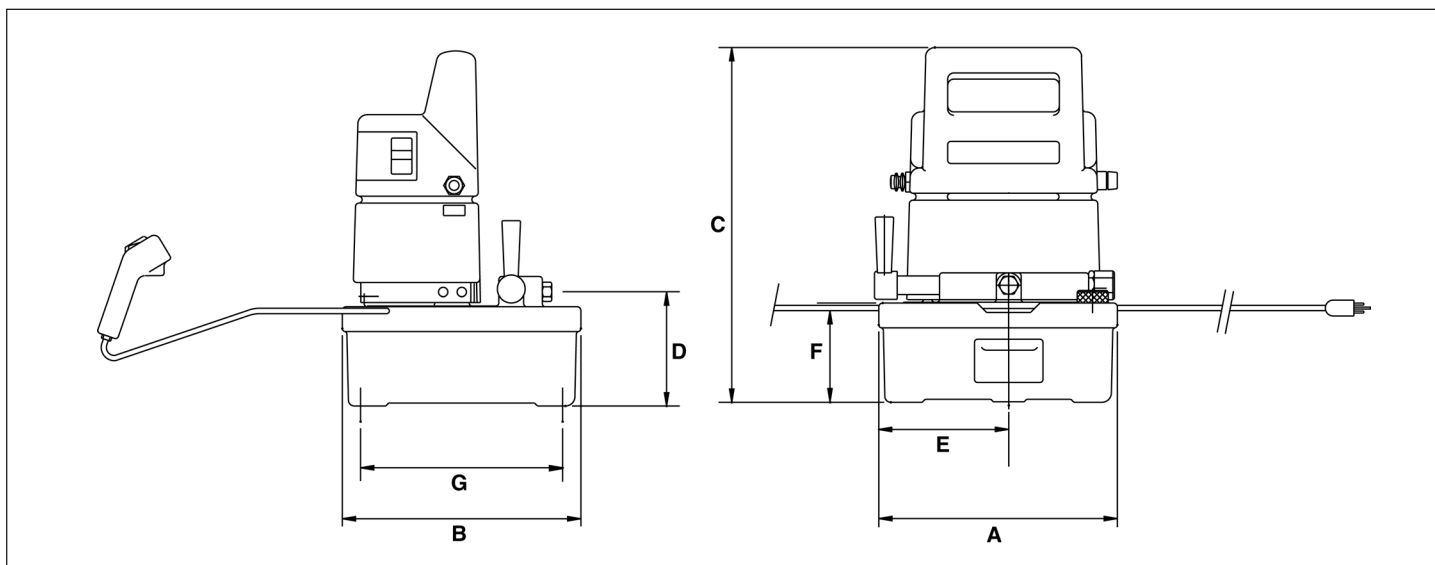
Figur 2

1. Ta bort transportpluggen från manometerporten storlek 1/4"-18 NPTFF (A) ovanpå reglerventilen
2. Placera en manometer för 0-1000 bar i manometerporten (A)
3. Om det behövs, skruva in hydraulslang i ventilutloppsporten storlek 3/8"-18 NPTFF (B).
4. Anslut en returledning genom att skruva in en slang i returen till tankporten (C)

3.0 Specifikationer

	"B"-modeller	"E"-modeller
Arbetsstryck	0-700 bar	
Elektrisk strömkälla	15 A 120 V jordad enfas 50/60 Hz	10 A 220 V Enfas 50/60 Hz
Motorns märkdata	Motorns märkdata 1/2 hp universell, 9 A vid 700 bar och 12 000 RPM kör vid 60-125 Volt, 85-89 dBA	0,37 kW universal, 4 A vid 700 bar och 12 000 RPM, 85-89 dBA
Flöde	3,3 l/min vid 0-14 bar 0,33 l/min vid 700 bar	
Max. arbetstemperatur	65° C	

Modell nr.	Används med cylinder	Ventiltyp	Användbar oljevolym	Vikt
PUD-1100B/E	Enkelverkande	Dumpventil	2,00 l	14 kg
PUD-1101B/E			3,79 l	20 kg
PUD-1300B/E	Enkelverkande	Dumpa/Håll	2,00 l	14 kg.
PUD-1301B/E			2,00 l	20 kg
PUJ-1200B/E	Enkelverkande	3-vägs, 2-läges	2,00 l	12 kg
PUJ-1201B/E			3,79 l	18 kg
PUJ-1400B/E	Dubbelverkande	4-vägs, 3-läges	2,00 l	15 kg
PUJ-1401B/E			3,79 l	20 kg



Figur 1

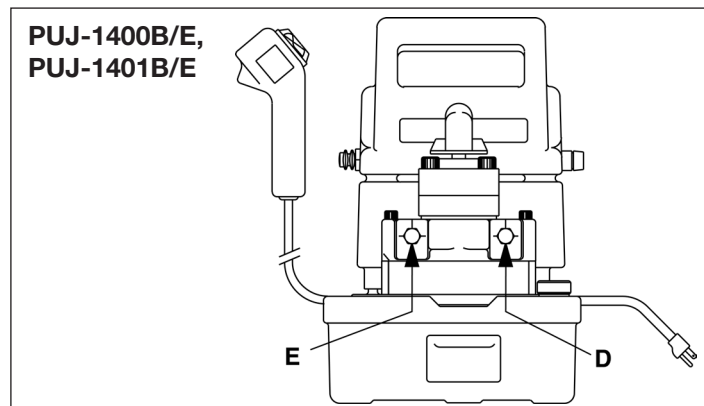
Dimensioner i cm								
Modells	A	B	C	D	E	F	G	H
PUD-1100B/E, PUD-1300B/E, PUJ-1200B/E, PUJ-1400B/E	24,43	24,43	36,20	11,99	13,34	10,16	20,62	1,90
PUD-1101B/E, PUD-1301B/E, PUJ-1201B/E, PUJ-1401B/E	30,94	36,83	10,54	13,00	14,27	10,54	32,43	1,57

"D"-dimensionen på PUJ-1400B/E är 15,7 cm; på PUJ-1401B/E är den 16,7 cm

Modellerna PUJ-1400B/E, PUJ-1401B/E (Figur 3)

1. Ta bort transportpluggen från ventilens matarport (D). Installera en manometeradapter i matarporten storlek 3/8"-18 NPTFF (D)
2. Placera en manometer för 1000 bar i manometeradaptorns övre port
3. Installera en hydraulisk slang i manometeradaptorns ändport (3/8"-18 NPTFF). Anslut slangens kopplingshalva till cylinderns matarkopplingshalva. Dra åt kopplingens krage ordentligt för hand. ANVÄND INTE verktyg till att dra åt kopplingshalvorna
4. Om du använder en dubbelverkande krets, installera slangen i reglerventilens returport (E). Anslut slangens kopplingshalva till cylinderns returkopplingshalva

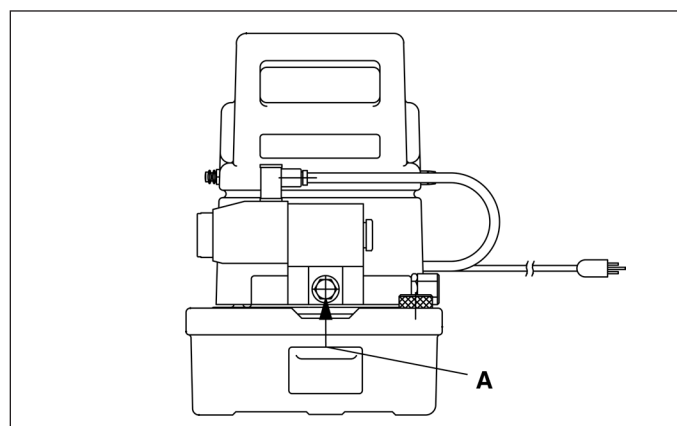
Modellerna PUD1100B/E, PUD-1101B/E, PUD1300B/E och PUD1301B/E



Figur 3

Modellerna PUD1100B/E, PUD-1101B/E, PUD1300B/E och PUD1301B/E

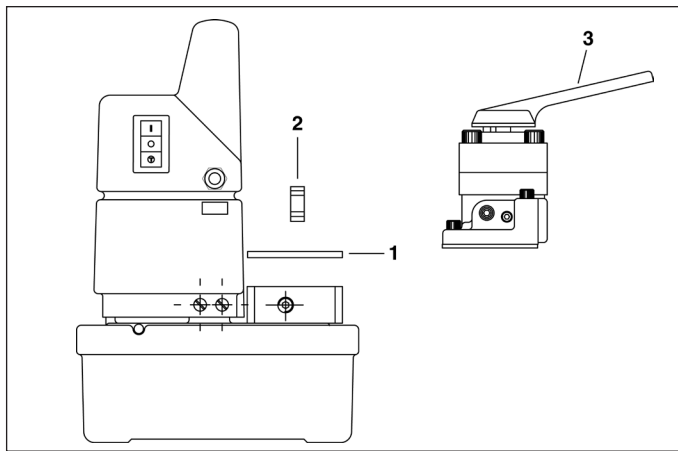
1. Slangen från pumpen till cylindern fästs direkt vid reglerventilens utgångsport (A) (Se figur 4)
2. Om en manometer önskas för att övervaka systemets tryck, måste en manometeradapter installeras i ventilens utloppsport (A). Placera en manometer för 0-700 bar i manometeradaptorns manometerport



Figur 4

4.2 Ventilmontering (Figur 5)

1. Ta bort plåten (Nr. 1, D43918098)
2. Bekräfta att anslutningen (2) är installerad i pumpen. Om den inte är det, installera anslutningen och var försiktig så att du inte skadar tätningarna
3. Montera ventilen (3), och var försiktig så att du inte skadar tätningarna

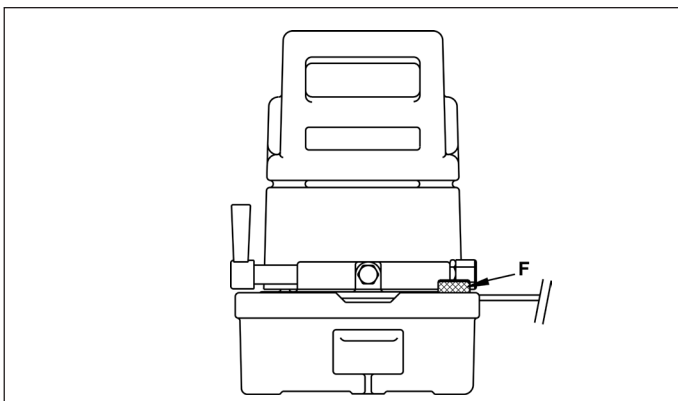


Figur 5

4.3 Fylla på olja (Figur 6)

Kontrollera oljenivån genom att skruva loss och ta bort avluftnings-/påfyllningspluggen (F). Fyll på Enerpac hydraulolja tills oljenivån är 1 cm under avluftnings-/påfyllningsöppningen

VIKTIGT! Fyll på olja endast när alla systemkomponenter dragits tillbaka, för annars kommer systemet att innehålla mer olja än behållaren kan rymma



Figur 6

5.0 ANVÄNDNING

OBS! Använd kortast möjliga förlängningssladd för att undvika förlust av kraft mellan eluttaget och pumpmotorn. Pumpmotorn fungerar vid låg spänning men motorns hastighet och oljeflödet minskar.

1. Kontrollera alla systeminpassningar och anslutningar för att vara säkra på att de sitter åt och inte läcker.
2. Kontrollera vätskenivån i pumpen och fyll vid behov på vätska
3. Öppna pumpens avluftningsplugg (F) som finns vid behållarens främre högra hörn genom att vrida den 1 eller 2 hela varv.



VAR FÖRSIKTIG! Avluftningspluggen måste vara öppen när pumpen går

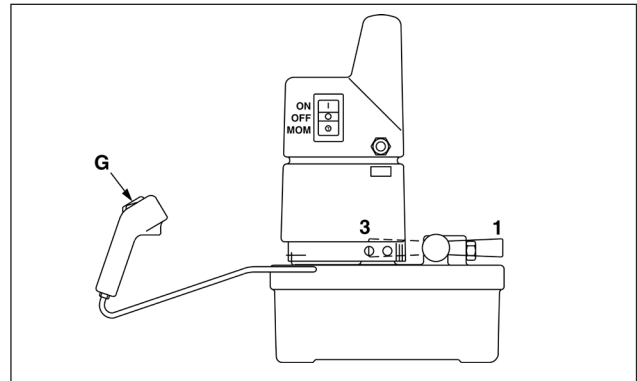
5.1 Brytare (Figur 7)

“B”-versionen kräver en 15 A, 120 V, jordad enfass krets.

“E”-versionen kräver 220 V enfass Pumpens nätsladd är 1,5 m lång

1. Pumpens brytare finns på sidan av höljet. Den är en brytare med tre lägen. Upp är ”PÅ”, mellan är ”AV”, botten är momentant på ”MOM”. Om du trycker på läget ”PÅ” upptill aktiverar du den elektriska kretsen, men slår inte på pumpens motor. Pumpmotorn aktiveras av vridbrytaren (G)

2. Om du trycker på den nedre delen av brytaren aktiveras pumpmotorn så länge brytaren hålls nedtryckt. När du släpper brytaren stannar pumpen. Detta momentära läge används som ett alternativ till vridreglaget



Figur 7

PUD1100B/E, PUD-1101B/E, PUD1300B/E and PUD1301B/E Models

1. Pumpens brytare finns på sidan av höljet. Den är en brytare med tre lägen. Upp är ”PÅ”, mellan är ”AV”, botten är momentant på ”MOM”. Om du trycker på läget ”PÅ” upptill aktiverar du den elektriska kretsen, men slår inte på pumpens motor. Pumpmotorn aktiveras av brytaren på fjärrkontrollen (G)
2. Om du trycker på den nedre delen av brytaren aktiveras pumpmotorn så länge brytaren hålls nedtryckt. När du släpper brytaren stannar pumpen. Detta momentära läge används som ett alternativ till fjärrkontrollen

5.2 Pumpreglerventil för modeller PUJ-1200B/E och PUJ-1201B/E

Pumpreglerventilen styr den hydrauliska vätskans utgång eller retur från komponenterna i hydraulsystemet. Dessa modeller har 3-vägs, 2-läges ventiler. Ventillägena visas i figur 8: (1)-Framföring; (3)-Tillbakadragning. För att skjuta ut cylindern, flytta ventilen till läget framföring (1) och tryck på fjärrkontrollens brytare

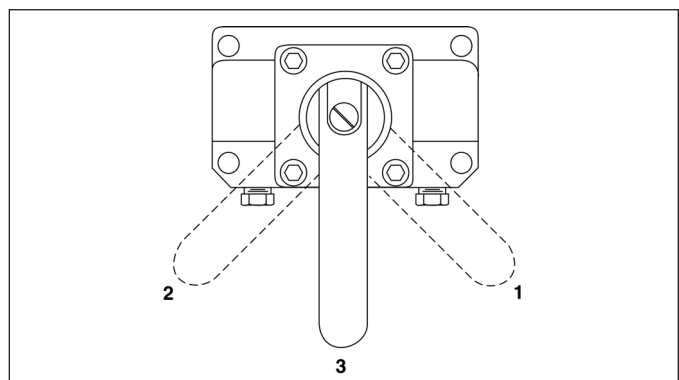
Cylindern skjuts ut tills du släpper brytaren

För att dra tillbaka cylindern, flytta ventilen till läget tillbakadragning (3)

Cylindern dras tillbaka med eller utan att pumpen körs

Modellerna PUJ-1400B/E och PUJ-1401B/E (Figur 8)

Reglerventilerna på pumparna PUJ-1400B/E och PUJ-1401B/E är 4-vägs, 3-läges, för användning med dubbelverkande cylindrar när framföring och tillbakadragning aktiveras hydrauliskt. Ventillägena visas nedan i figur 8: 1-Framföring; 2-Tillbakadragning; 3-Neutralläge. I alla lägen styrs cylinderns rörelse av fjärrkontrollens brytare



Figur 8

Modellerna PUD-1100B/E och PUD-1101B/E

PUD-1100B/E och PUD-1101B/E styr enkelverkande cylindrar där man inte behöver hållfunktionen. När du trycker på fjärrkontrollens brytare startar motorn och skjuter ut cylindern. När du släpper brytaren dras cylindern tillbaka

PUD-1300B/E och PUD-1301B/E styr enkelverkande cylindrar där man behöver hållfunktionen. Tryck på framföringsknappen för att starta pumpen och skjuta ut cylindern

Släpps framföringsknappen stannar pumpen. Cylindern håller lasten med ventilen. När du trycker på tillbakadragningsknappen växlar ventilen, vilket låter lasten dras tillbaka

OBS! Eftersom tiden det tar för motorn att stanna kan variera, beroende på lastförhållanden, kanske lasten inte slutar att skjutas ut i samma ögonblick som du släpper framföringsknappen. Cylindern kan röra sig litet medan motorn stannar

5.3 Värmebrytare (Alla modeller)

För att skydda pumpen stänger en intern värmebrytare av motorn när oljans temperatur uppnår 65 °C. När temperaturen sjunker till 54 °C återställs brytaren automatiskt

5.4 Avluftning

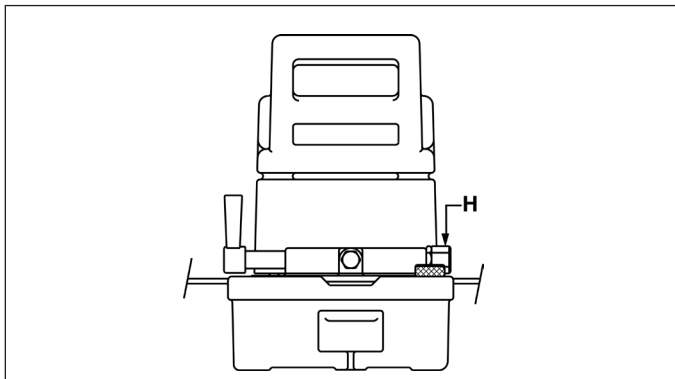
När det hydrauliska systemet ansluts för första gången kommer luft att inestängas i komponenterna. För att säkerställa jämn och säker drift, avlägsna luft genom att köra systemet genom flera cykler utan last på cylindrarna



WARNING! Undvik personskada och skada på utrustningen genom att inte fortsätta att applicera tryck på cylindrar efter att de uppnått maximal distans eller maximum arbetstryck

6.0 JUSTERA SÄKERHETSVENTILEN (Figur 9)

Pumpens huvudsakliga säkerhetsventil är intern och kan inte justeras. Den är inställd på fabriken på 700 bar maximum arbetstryck. En ytterligare extern säkerhetsventil finns under det sexkantiga locket på pumpens högra sida. Den externa säkerhetsventilen kan justeras från 700 bar ned till 140 bar. Gränserna för arbetstryck kan reduceras under 700 bar men inte över 700 bar. (Modellerna PUJ-1400B/E och PUJ-1401B/E är inte utrustade med externa, justerbara säkerhetsventiler.)



Figur 9

1. Installera en manometer som visas i installationsanvisningarna på sidan 63
2. Installera en plugg i ventilens utloppsport
3. Ta av det sexkantiga locket (H) som täcker säkerhetsventilens justeringskruv
4. Vrid justeringskruven med en insexnyckel moturs ett helt varv.

5. Slå "PÅ" pumpen och kör pumpmotorn medan du tittar på manometern tills du avläser maximum tryck. Stoppa pumpen
6. Fortsätt att justera inställningen tills du uppnår önskat tryck
7. Kontrollera inställningen genom att köra pumpen flera gånger. Om manometerens avläsning blir densamma varje gång är ventilens inställning stabil
8. Sätt tillbaka det sexkantiga locket som täcker justeringskruven

OBS! För att få noggrannast möjliga inställning på säkerhetsventilen, starta med ett lägre tryck och justera upp till önskad inställning på säkerhetsventilen



WARNING! Undvik skada på utrustning och personer genom att inte försöka överstiga 700 bar maximum arbetstryck

7.0 UNDERHÅLL

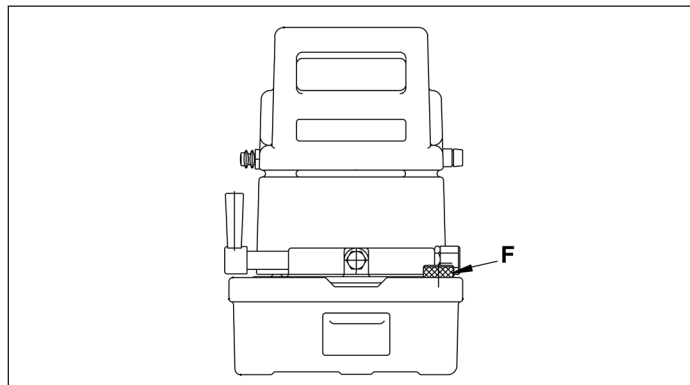
7.1 Kontrollera oljenivån

Kontrollera hydrauloljans nivå i behållaren efter varje 40 timmars drift. Fyll på olja efter behov så att nivån är 1 cm under påfyllningsöppningen. Använd endast Enerpac hydraulolja. Användning av annan olja eller vätska kan skada systemet och upphäver Enerpacs garanti

7.2 Byta olja (Figur 10)

Töm behållaren helt efter varje 100 timmars drift. Fyll på med ny hydraulisk olja. Om pumpen körs där det är dammigt eller vid hög temperatur, töm och fyll på oftare

1. Töm behållaren genom att ta av avluftnings-/påfyllningspluggen (F) från behållarens övre högra hörn
2. Luta pumpen tills all gammal olja har tömts
3. Fyll på med ny olja genom samma öppning. Behållarens volym är 2,8 eller 5,7 liter beroende av modell
4. Sätt tillbaka påfyllningspluggen (F)



Figur 10

7.3 Rengöra behållaren

Pumpens behållare kan tas av för rengöring. Om pumpen används konstant i extremt dammig omgivning ska behållaren rengöras en gång om året

1. Tappa ur behållaren enligt steg 1 och 2 i "Byta olja"
2. Ta bort de sex skruvarna som fäster höljet vid behållaren. Lyft av höljet från behållaren. En kudde av skumplast omger motorn för att hålla elektriska ledningar borta från den. Var försiktig så att du inte skadar eller drar av ledningar från anslutningarna
3. Ta bort de åtta skruvarna som håller pumpen vid behållaren. Lyft bort pumpen från behållaren och ta av packningen
4. Rengör behållaren noggrant med lämpligt lösningsmedel

5. Montera ihop pumpen och behållaren och sätt på en ny packning på behållaren. Placera höljet över motorn med höljets handtag mot ventilens sida av pumpen. Installera de sex monteringskruvarna och låsbrickor på insida och utsida Om pumpen kräver reparation, kontakta ett lokalt auktoriserat Enerpac-servicecenter

7.4 Motorborstar

Kontrollera borstarna i den elektriska motorn minst en gång vartannat år. För pumpar som används mycket ska du kontrollera borstarna minst var sjätte månad



FARA! För att undvika att du får en dödlig elektrisk stöt måste pumpen helt kopplas loss från elnätet innan du försöker dig på att serva borstarna

8.0 FELSÖKNING (Se diagram)

Felsökningsdiagrammet är avsett att ge ledning som hjälper dig diagnosticera och rätta till olika möjliga problem med pumpen

Endast kvalificerade hydraultekniker ska felsöka och serva pumpen. Kontakta Enerpacs auktoriserade servicecenter i ditt område för reparationservice

8.1 Överströmsskydd: (Pumpar med datumkod "F" och senare)

I händelse av en elektrisk överbelastning utlöses pumpens överströmsskydd. När du har undersökt och rättat till källan till överbelastningen, tryck på överströmsskyddets knapp för att återställa det

8.2 Säkringar (Pumpar med datumkod "F" och senare)

Interns säkringar skyddar de primära och sekundära kretsarna i reglagetstransformatorn. Om en säkring går, undersök och rätta till källan till felet. Byt sedan ut den brända säkringen mot en ny säkring med rätt märkdata. Se reservdelsblad för din pumpmodell beträffande säkringar



VARNING! Koppla alltid bort strömmen innan du byter säkringar

Obs! Säkringar används inte på följande pumpar:

- Pumpar tillverkade före datumkod "F"
- Modeller som inte är utrustade med vridbrytare (alla datumkoder)

9.0 TEST STANDARDS

9.1 Canadian Standards Association (CSA)

Där så specificeras, uppfyller pumpenheten kraven beträffande konstruktion, montering och test enligt CSA, Canadian Standards Association (Se CAN/CSA — C22.2 Nr. 68-92, Motordriven utrustning)

9.2 Conformité Européene (CE)

Där så specificeras, tillhandahålls en EC-konformitetsdeklaration och CE-märkning av produkten Dessa produkter uppfyller Europeiska normer EN982:1996, EN1050:1998 och EN-ISO-12100-1&2:2003, samt EC Direktiven 2006/42/EC, 97/23/EC, 2004/108/EC, 2006/95/EC och 97/23/EC

FELSÖKNINGSDIAGRAM

Problem	Möjlig orsak	Lösning
Pumpen startar inte	1) Ingen ström 2) Fel spänning	1) Kontrollera elektrisk strömkälla 2) Kontrollera spänningsspecifikationer på sidan 62
Cylinder skjuts inte ut eller dras tillbaka	1) Vätskenivå låg 2) Inloppsfilter igensatt 3) Ventil i fel läge 4) Ventilfel	1) Fyll behållare till rätt nivå 2) Rengör eller byt ut inloppsfilter 3) Flytta ventilen till tryckläget 4) Låt reparera pumpen av en kvalificerad hydraultekniker
Cylinder skjuts ut och dras tillbaka oregelbundet	1) Luft i systemet 2) Extern läcka i systemet 3) Intern hydraulisk läcka	1) Avlufta systemet genom att öppna och sluta verktyget tills driften är jämn och säker 2) Dra åt läckande anslutningar. Byt ut eventuellt skadade slangar och beslag 3) Låt reparera pumpen av en kvalificerad hydraultekniker
Pumpen behåller inte trycket	1) Extern hydraulisk läcka 2) Intern hydraulisk läcka	1) Dra åt läckande anslutningar. Byt ut eventuellt skadade slangar och beslag 2) Låt reparera pumpen av en kvalificerad hydraultekniker
Låg utmatning av vätska	1) Vätskenivå låg 2) Komponenter i pumpen läcker 3) Förbikopplingsventil fungerar inte 4) Inloppsfilter för vätska till kolvblock kan vara igensatta med skräp	1) Fyll behållare till rätt nivå 2) Testa för att identifiera läckor 3) Låt reparera pumpen av en kvalificerad hydraultekniker 4) Inspektera inloppsfilter. Spola bort föroreningar från alla komponenter. Byt ut skadade komponenter

L2062

Rev. I

02/21

JA

1.0 納品時の重要指示

全ての部品類に運送中の損傷がないか目視で確かめて下さい。運送中の損傷は保証されません。運送中の損傷が見つかった場合、すぐに運送業者に連絡して下さい。運送中に生じた損傷については、運送業者が修理費や交換費を全て負担します。

安全第一

2.0 安全事項



指示、警告、注意は必ずよくお読みください。安全注意事項に従って、システム操作中に人身事故や器物破損が起こらないようにしてください。エナパックは、不安全な製品の使用、保守の不足、製品及び/又はシステムの不正な操作から生じる損傷や怪我には責任を負いません。安全注意事項及び操作に関して疑問点があれば、エナパックまでお問い合わせください。高圧油圧機構の安全性についてのトレーニングを受けたことがない場合は、Enerpac油圧機構安全性コースの受講について販売店またはサービスセンターにお問い合わせください。

以下の注意及び警告に従わない場合、装置破損や人身事故の原因となる恐れがあります。

注意は、装置やその他器物の破損を防止するための、適正な操作や保守手順を示す場合に使われます。

警告は、人身事故を予防するために適正な手順や心得が必要な、潜在的な危険性を示します。

危険は、重傷や死亡事故の原因となる恐れがある、禁止行為又は必須行為を示します。



警告： 油圧装置を操作中は、適正な保護具を着用して下さい。



警告： 油圧によって支える荷物はきれいにしておいて下さい。シリンダを荷揚げのために利用する場合、絶対に荷重保持には使用しないで下さい。荷物を揚げ降ろした後は、必ず機械的なブロック（固定）を施して下さい。



警告： 荷物の保持には、必ず頑丈なものを使用して下さい。荷物を支持可能なスチール製又は木製のブロックを慎重に選んで下さい。どのような荷揚げ又はプレスであっても、油圧シリンダを絶対にシム又はスペーサーとして使用しないで下さい。



危険： 操作中は、人身事故を防止するため、シリンダや作業物から手足を離して下さい。



警告： 装置の定格を超えないようにして下さい。シリンダの能力を超える重量の荷揚げは絶対に行わないで下さい。過荷重は、装置の故障や場合によっては人身事故の原因となります。シリンダに設計されている最大圧力は、80Mpaです。ジャッキやシリンダは、定格で70Mpaを超える圧力のポンプには接続しないで下さい。



リリースバルブは、ポンプの最大定格圧力以上の高圧に設定しないで下さい。高圧に設定すると、装置の破損及び/又は人身事故の原因となる恐れがあります。



警告： システムの使用圧力は、システム内の最高定格部品の圧力定格を超えないようにして下さい。圧力計をシステムに取り付けて、使用圧力をモニターして下さい。システムの監視は、各自が行って下さい。



危険： 油圧ホースを損傷させないで下さい。油圧ホースは、組込み時に折り曲げたりねじったりしないで下さい。ホースを折れ曲がったりねじれたままにしておくと、ホースの内部が損傷して、早期故障を引き起こします。




ホースの上に重い物を落とさないで下さい。強い衝撃によって、ホース内部のワイヤブレードが損傷する恐れがあります。損傷しているホースに圧力をかけると、破裂する恐れがあります。





重要： 油圧装置は、ホースやスイベルカブラを使って持ち上げないで下さい。安全に移動させるために、キャリングハンドルやその他の手段を用いて下さい。





注意： 油圧装置は、火気や熱源から離して下さい。過熱によって、パッキンやシールが柔らかくなり、油漏れが生じます。また、熱によって、ホース材やパッキンが劣化します。最適な性能を保つには、装置を65°C以上の温度にさらさないで下さい。ホースやシリンダに対する溶接スパッタは避けて下さい。


 **危険：** 加圧されているホースには、触れないで下さい。加圧状態のオイルが漏れて皮膚に浸透すると、重大な人身事故の原因となります。オイルが皮膚下にしみ込んだ場合、すぐに医師の診断を受けて下さい。


 **警告：** 油圧シリンダは、必ず連結システムで使用して下さい。カプラを接続していないシリンダは使用しないで下さい。シリンダは、極度な過荷重を受けると、部品が破壊されて、重大な人身事故の原因となります。

 **警告：** 荷揚げの前に、安定して設置されていることを確かめて下さい。シリンダは、荷物の重量に耐えることができる平面に配置して下さい。適用できる場合は、シリンダベースを使用して、さらに安定性を確保して下さい。シリンダは、ベースやその他の支持物に取り付ける際に、溶接したり変形させないで下さい。

 荷物が直接シリンダプランジャ上の中心に置かれない状態は避けて下さい。偏心荷重は、シリンダとプランジャに相当なひずみを与えます。また、荷物が滑ったり落下して、危険な状況を引き起こす恐れがあります。

 荷物はサドル全面に渡って均等に配置して下さい。プランジャを保護するため、必ずサドルを使用して下さい。

 **重要：** 油圧装置は、必ず有資格油圧技術者が整備点検を行って下さい。修理サービスについては、最寄のエナパックサービスセンターにお問い合わせ下さい。保証を受けるためには、必ずエナパックオイルを使用して下さい。

 **警告：** 磨耗したり損傷した部品は、すぐにエナパックの純正部品と交換して下さい。市販の標準部品は、破損して人身事故や器物破損の原因となる場合があります。エナパック製の部品は、高荷重に適合及び耐えるように設計製造されています。



注意： ポンプの電動モーターの損傷を避けるために、仕様を確認してください。誤った電源を使用するとモーターが損傷することがあります。

4.0 取付け

4.1 油圧接続口

すべてのネジにテフロンシールテープ（あるいは適切なネジシール材）を1/2回巻きまわします。テープがちぎれてシステム内に入り損傷を引き起こさないようにするため、最初のネジ1山にはテープを巻かないでください。ゆるんだ端を整えます。



警告： 適切な作動が確保されるように、ホースをねじれたり、曲がり部で引っ張られたりしないようにしてください。ホースがねじれたり損傷を受けた場合は、交換しなければなりません。損傷したホースは高圧力で破裂して、危害をおよぼすことがあります。

PUJ-1200B/E, PUJ-1201B/E モデル (図2)

1. コントロールバルブ上部の1/4-18 NPT ゲージポート(A)から輸送用プラグを取り外します。
2. ゲージポート(A)に0-100Mpaの圧力計を取り付けます。
3. 必要に応じて、油圧ホースを3/8-18 NPTバルブの吐出口ポート(B)に差し込みます。
4. タンクポート(c)への戻りにホースを差し込んで、戻りラインを接続します。

PUJ-1400B/E, PUJ-1401B/E モデル(図3)

1. バルブの前進ポート(D)から輸送用プラグを取り外します。3/8-18 NPT 前進ポート(D)にゲージアダプタを取り付けます。
2. ゲージアダプタの上部ポート100Mpaの圧力計を取り付けます。

3.0 仕様書

	「B」モデル	「E」モデル
動作圧力	0-70 MPa	
電源：	15 A, 120 V, 1φアース, 50/60 Hz	10 A, 220 V, 1 φ, 50/60 Hz
モータ定格	モータ定格：1/2 HP 汎用, 70 MPa および12,000 RPMにて 9 A, 60-125 V 85-89 dBAにて作動	0.37 kW汎用, 70 MPa および12,000 RPM 85-89 dBAにて 4 A
流量	0-1.4 Mpa にて3.3 L/min 70 Mpa にて0.33 L/min	
最高作動温度：	65° C	

モデル番号	シリンダとともに使用	バルブタイプ	有効タンク油量	重量
PUD-1100B/E :	単動	ダンプ弁：	2,0 l	14,06 kg
PUD-1101B/E :			3,79 l	19,50 kg
PUD-1300B/E :	単動	中間停止・保持機能あり	2,0 l	14,06 kg
PUD-1301B/E :			2,0 l	19,50 kg
PUJ-1200B/E :	単動	3方手動, 2位置：	2,0 l	12,25 kg
PUJ-1201B/E :			3,79 l	17,69 kg
PUJ-1400B/E :	複動	4方手動, 3位置：	2,0 l	14,51 kg
PUJ-1401B/E :			3,79 l	19,96 kg

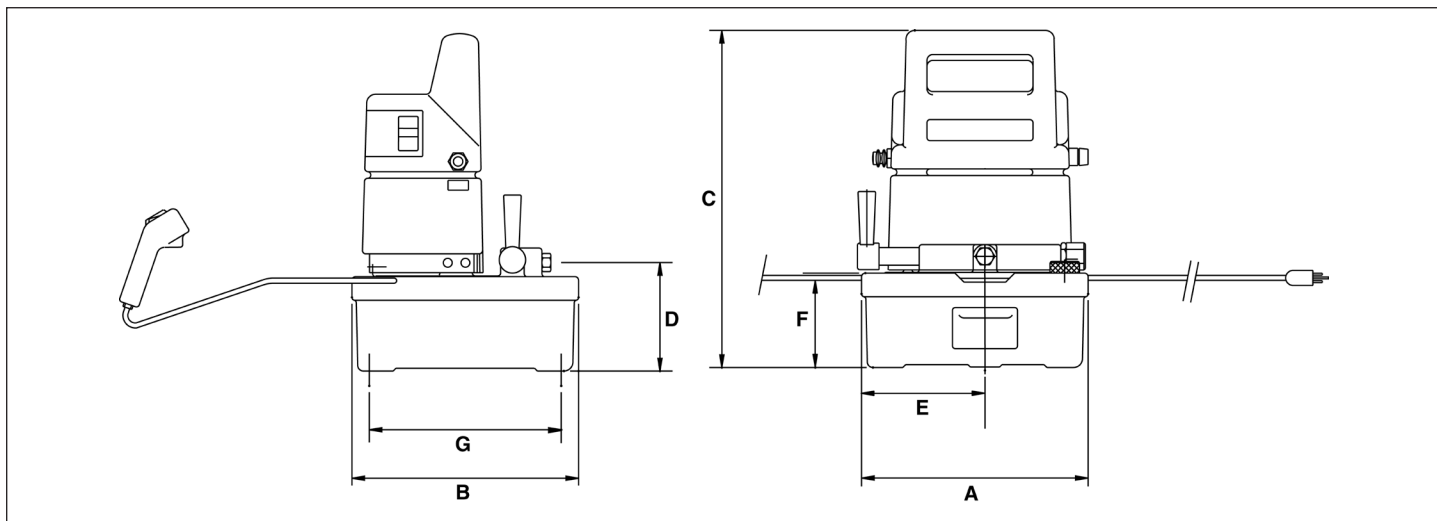


図1

寸法単位 [cm]

モデル	A	B	C	D	E	F	G	H
PUD-1100B/E, PUD-1300B/E, PUJ-1200B/E, PUJ-1400B/E	24,43	24,43	36,20	11,99	13,34	10,16	20,62	1,90
PUD-1101B/E, PUD-1301B/E, PUJ-1201B/E, PUJ-1401B/E	30,94	36,83	10,54	13,00	14,27	10,54	32,43	1,57

PUJ-1400B/E の寸法「D」は15.7 cm で、PUJ-1401B/Eではそれは 16.7 cm です。

- 必要に応じて、油圧ホースを3/8-18 NPTバルブの吐出口ポート (B) に差し込みます。
- タンクポート(c) への戻りにホースを差し込んで、戻りラインを接続します。

PUJ-1400B/E, PUJ-1401B/E モデル(図3)

- バルブの前進ポート (D) から輸送用プラグを取り外します。
3/8-18 NPT 前進ポート (D) にゲージアダプタを取り付けます。
- ゲージアダプタの上部ポート100Mpaの圧力計を取り付けます。

PUJ-1200B/E,
PUJ-1201B/E

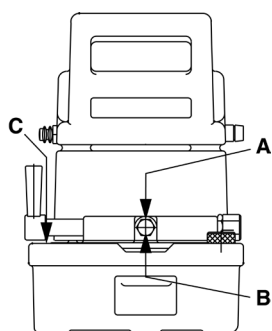


図2

PUJ-1400B/E,
PUJ-1401B/E

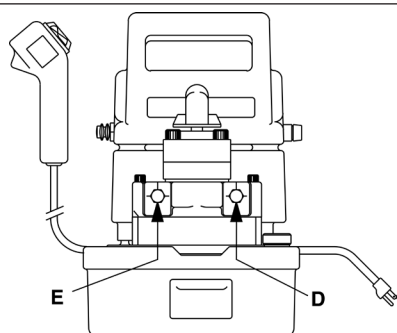
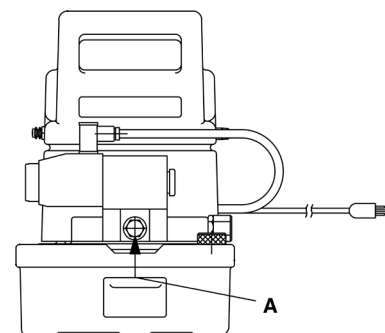


図3

PUD1100B/E,PUD-1101B/E,PUD1300B/E および PUD1301B/E 型

- 油圧シリンダのホースは、油圧切換弁のAポートに直接接続して下さい。(参照図4)
- システムの油圧力を確認する場合は、ゲージアダプターをAポートにねじ込んで下さい。次に70MPaの油圧ゲージをゲージアダプターの接続口にねじ込んで下さい。

図4



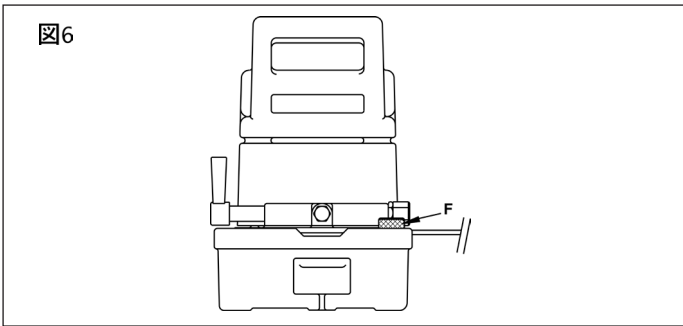
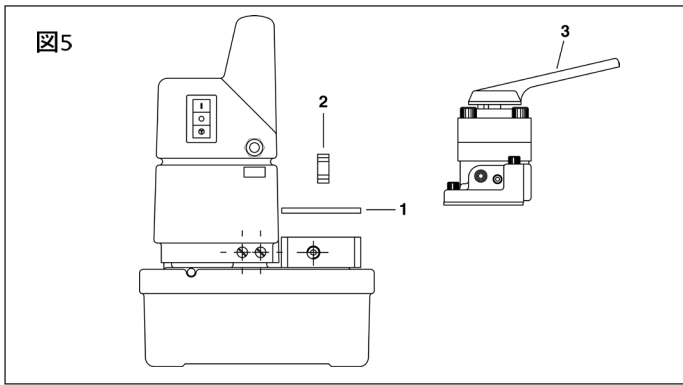
4.2 バルブの取り付け (図5)

- プレート (部品番号: D43918098) を取り外します。
- コネクタがポンプに取り付けられていることを確かめます。もし取り付けられていない場合は、シールを切らないように気をつけて、コネクタを取り付けます。
- シールを切らないように気をつけて、バルブを取り付けます。

4.3 オイルの追加 (図6)

エア抜き/注油プラグ (F) のネジをゆるめて取り外し、オイルレベルをチェックします。オイルレベルがエアVENT/注油開口部の下面1cm になるまでエナパック作動油を追加します。

重要: オイルの追加は、すべてのシステム構成部品が完全に戻っている時のみ行ってください。さもなければ、タンク油量以上にシステムにオイルが追加されることとなります。



5.0 作動

注意：コンセントと電動モータ間の電力損失をなくすため、可能な限りコードの長さを短くしてください。ポンプのモータは低電圧で作動すると、モータ速度と流量は低下します。

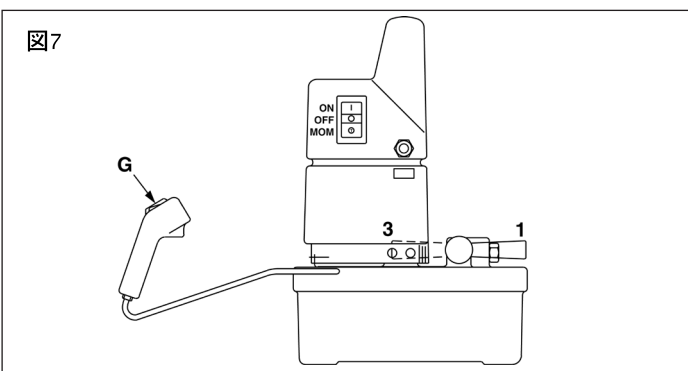
1. システムのすべての継手と接続口をチェックし、締付けが十分に漏れがないことを確かめます。
2. 作動油のレベルをチェックし、必要に応じて追加します。
3. 油タンクの正面右端のポンプエア抜きプラグ (F) を、1-2 回転完全に回して開放します。

注意：エア抜きプラグは、ポンプの運転中は常に開放しておかなければいけません。

5.1 スイッチの作動 (図7)

「B」型には15 A、120 V、1φアース回路が必要です。「E」型は220 V が必要です。ポンプの電源コードの長さは1.5メートルです。

1. ポンプのスイッチはカバーの側面にあります。このスイッチは3位置スイッチで、上部位置で「ON」、真中は「OFF」、下部は寸動の「MOM」になっています。上部の「ON」を押すと電気回路が作動しますが、ポンプモータは作動しません。ポンプモータはリモコンスイッチ (G) により作動します。
2. 下側のスイッチを押すと、押しつづけている間ポンプモータが作動します。スイッチを放すとポンプが停止します。この寸動位置はリモコンスイッチ制御の代用として使用します。



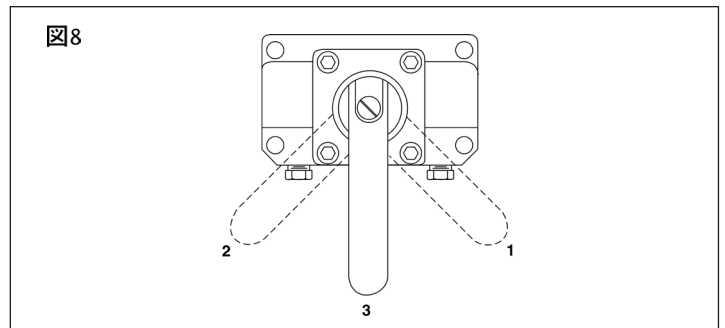
5.2 ポンプ制御弁 PUJ-1200B/E および PUJ-1201B/Eモデル
ポンプ制御弁は作動油吐出口あるいは油圧システム構成部品からの戻りの方向を制御します。これらのバルブは3方手動2位置弁です。バルブの位置を図8に示します：1は前進、3は戻りです。シリンダを前進させるにはバルブを前進位置 (1) に切り換え、リモコンスイッチを押します。

シリンダはリモコンスイッチを放すまで前進します。シリンダを戻すには、バルブを戻り位置 (3) に切り換えます。

シリンダはポンプの運転、停止にかかわらず戻ります。

PUJ 1400B/E および PUJ-1401B/E モデル (図8)

PUJ-1400B/E および PUJ-1401B/E ポンプの制御弁は4方手動3位置弁で、油圧で前進および戻りを行う複動シリンダとともに使用します。バルブ位置を図8に示します：1は前進、2は戻り、3は中立です。それぞれの位置でシリンダの動きはリモコンスイッチによりコントロールされます。



PUD-1100B/E および PUD-1101B/Eモデル

PUD-1100B/E および PUD-1101B/Eは保持機能が必要のない単動シリンダを操作します。リモコンスイッチを押すとモータが始動し、シリンダが前進します。スイッチを放すと、シリンダは戻ります。

PUD1300B/E および PUJ1301B/E型

PUD1300B/EおよびPUD1301B/E型の油圧ポンプは、単動油圧シリンダの作動と負荷を保持することが出来る型式です。付属するリモコンの押し側ボタンを押すと油圧ポンプは作動して、油が吐出しシリンダは伸びます。押し側ボタンから手を放すと、負荷は現位置を保持したまま停止します。リモコンの戻しボタンを押すと油圧シリンダは戻ります。

注意：油圧ポンプの停止動作は、リモコン操作によるタイミングとモータの回転が停止するまでにタイムラグがある為、油圧シリンダの停止精度には、若干のオーバーランがあります。

5.3 サーマルスイッチ (全モデル)

ポンプを損傷から守るため、オイルの油温が65°C(150°F)に達すると、内部サーマルスイッチがモータを停止します。油温が54°C(130°F)まで下がると、スイッチがモータを自動的に復帰させます。

5.4 エア抜き

油圧システムを最初に接続するときは、構成部品の中にはエアが入っています。スムーズで安全な作動を確保するため、シリンダには負荷をかけずに、油圧システムを数回フルサイクルで運転してエアを取り除きます。スムーズにシリンダが前進したり戻ったりすれば、システム中のエアは抜けています。



警告：ケガや装置の損傷を防止するため、シリンダが最大限のストロークで圧力をかけ続けたり、最大動作圧力で保持し続けたりしないでください。

6.0 安全弁の調整 (図9)

(PUJ-1400B/E およびPUJ-1401B/Eモデルには外部圧力調整安全弁は装備されていません。) 主ポンプ安全弁は内部組込みで調整できませんが、工場出荷時に最大使用圧力の70 MPa に設定されています。追加外部安全弁はポンプ右側の六角キャップの下側にあります。外部安全弁は14-70 MPaの範囲で調整可能です。最大使用圧力は70 MPa 以下にできますが、70 MPa を超えることはできません。

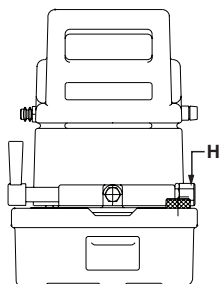
1. 69 ページの取付け説明の指示に従い、ゲージを取り付けます。
2. バルブの吐出ポートにプラグを取り付けます。
3. 安全弁調整ネジをカバーしている六角キャップ (H) を取り外します。
4. 六角レンチを使って、調整ネジを反時計方向に1回転回します。
5. 圧力計の指す最大圧力を注意深く見ながら、ポンプを ON にしてポンプモータを回します。ポンプを止めます。
6. 希望する圧力が得られるまで設定圧の調整を繰り返します
7. ポンプを数回運転して設定値をチェックします。圧力計の指示がいつも同じであれば、バルブ設定は安定しています。六角キャップを調整ネジの上に戻してカバーします。

注意：安全弁の設定を最も正確にするには、低めの圧力で始動してから所定の安全弁設定圧になるまで調整します。



警告：装置の損傷やケガを防止するため、最大作動圧力が 70 MPa を超えないようにしてください。

図9



7.0 メンテナンス

7.1 作動油レベルのチェック

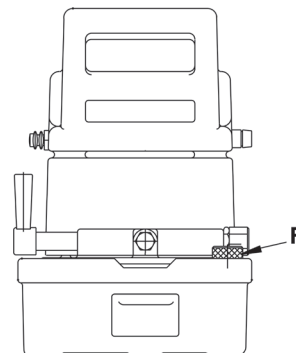
作動中40時間毎に油タンクの作動油レベルをチェックします。作動油のレベルが注油口の1 cm 下になるように、必要に応じて作動油を追加します。エナパック作動油以外は使用しないでください。他の作動油を使用するとシステムが損傷を受け、エナパックの保証が無効になります。

7.2 作動油の交換 (図10)

100時間作動する毎に油タンクの作動油を完全に抜いてください。新しい作動油を充填します。ポンプが大変汚れたり、高温の場所で運転する場合は、排出と充填をもっと頻繁にします。

1. 油タンクの作動油を排出するには、油タンク上部右隅のエアバント/注油プラグ (F) を取り外します。
2. 古い作動油が排出されるまで、ポンプを傾けます。
3. 同じ開口部から新しい作動油を注油します。油タンク容積はモデルによって2.8 L あるいは 5.7 L です。
4. 注油プラグ (F) を元に戻します。

図10



7.3 油タンクの清掃

ポンプの油タンクは清掃のため取り外すことができます。ポンプが常に極めて汚れた環境で使用されている場合、油タンクは1年毎に製造してください。

1. 「作動油の交換」のステップ1および2に記載されているように油タンクの作動油を排出します。
2. カバーを油タンクに取り付けている6本のネジを取り外します。油タンクからカバーを持ち上げます。発泡樹脂のクッションがモータの周りを包んで電線をモータから引き離しています。電線を損傷したり、端子台から抜いたりしないように気を付けます。
3. ポンプを油タンクに取り付けている8本のネジを取り外します。ポンプを油タンクから持ち上げ、ガスケットを取り外します。
4. 適切な溶剤を使用して油タンクを十分に清掃します。
5. 新しいガスケットを取り付けて、ポンプと油タンクを再組立てします。カバーハンドルをポンプのバルブ側に向け、カバーをモータの上に置きます。6本のネジと内/外ロックワッシャを取り付けます。

ポンプに修理が必要な場合は、お近くの認定エナパックサービスセンターまでご連絡ください。

7.4 モーターブラシ

電動モーターブラシは、最低限2年毎に1回点検が必要です。ポンプを頻繁に使用する場合は、最低限6ヶ月毎に1回点検してください。



危険：感電事故を防止するため、ブラシの保守を始める前にポンプを電源から完全に切断してください。

8.0 トラブルシューティング (図参照)

トラブルシューティングチャートは、ポンプの故障原因を診断して対策を講じる手引きとしての役割を果たします。

故障診断および整備は、必ず資格を持った油圧技術者が行ってください。点検修理については、最寄りの正規 Enerpac サービスセンターにお問い合わせください。

8.1 回路遮断機 (日付コードが「F」およびそれ以降のポンプ)

過負荷の場合、ポンプの回路遮断機が切れます。過負荷の原因を調査して対策を講じた後、回路遮断機ボタンを押してリセットしてください。

8.2 ヒューズ (日付コードが「F」およびそれ以降のポンプ)

内部ヒューズは、制御変圧器の一次および二次回路を保護します。ヒューズが飛んだ場合、その原因を調査して対策を講じてください。その後で、適切な定格の新しいヒューズと交換します。ヒューズの定格については、ご使用のポンプモデルの修理部品表を参照してください。



警告：ヒューズを交換する前に、必ず電源を切ってください。

注意：ヒューズは、以下のポンプには使用されません。

- 日付コード「F」およびそれ以前に製造されたポンプ
- ペンダントが装備されていないモデル (すべての日付コード)。

9.0 試験基準

9.1 カナダ規格協会 (CSA)

ポンプの組み立ては、CSA (カナダ規格協会) の設計組み立ておよび試験要件が指定されている場合、それらを満たすものとします (CAN/CSA — C22.2 No. 68-92、Motor operated appliances 参照)。

9.2 EU 認定 (CE)

EC 適合宣言および製品 CE マークが指定されている場合、それらの条件を満たすものとします。製品は、欧州規格 EN982:1996、EN1050:1998、EN-ISO-12100-1&2:2003 および EC 指令 2006/42/EC、97/23/EC、2004/108/EC、2006/95/EC、97/23/EC に準拠しています。

トラブルシューティングチャート

問題	推定原因	処置
ポンプが始動しない。	電源がきていない。 電圧不良。	電源をチェックします。 68 ページの電圧の仕様をチェックします。
シリンダが前進しない、あるいは戻らない。	作動油のレベルが低い。 注油口スクリーン詰り。 バルブの位置が間違っている。 バルブの故障。	油タンクの適正なレベルまで注油する。 注油口スクリーンを掃除あるいは交換する。 バルブを圧力がかかる位置へ移す。 資格を持った油圧技術者にポンプの修理をしてもらう。
シリンダが出たり引っ込んだりする。	システム内にエアが入っている。 外部油圧システムからの漏れ。 内部作動油の漏れ。	油圧工具を開閉しながら、システムを動かしてエアを取り除く。 漏れのある接続口を締め付ける。 資格を持った油圧技術者にポンプの修理をしてもらう。
ポンプが圧力を維持できない。	外部作動油漏れ。 内部作動油漏れ。	漏れのある接続口を締め付ける。損傷のある油圧ホースを交換する。 資格を持った油圧技術者にポンプの修理をしてもらう。
作動油の吐出量が少ない。	作動油レベルが低い。 ポンプ構成部品が漏れている。 バイパス弁の故障。 ピストンブロックの作動油吸込みスクリーンがゴミで詰っている。	適正なレベルまで給油する。 テストして漏れを切り離す。 資格を持った油圧技術者にポンプの修理をしてもらう。 吸込みスクリーンを調べる。すべての構成品の汚れを洗い流す。損傷した構成部品を交換する。

L2062 Wer. I 02/21

PL

1.0 WAŻNE INFORMACJE DOTYCZĄCE ODBIORU

Należy wizualnie sprawdzić wszystkie komponenty pod kątem uszkodzeń powstałych w czasie transportu. Uszkodzenia powstałe podczas transportu **nie** są objęte gwarancją. W przypadku stwierdzenia uszkodzeń powstałych w czasie transportu należy natychmiast powiadomić przewoźnika. Przewoźnik ponosi odpowiedzialność za wszystkie koszty naprawy i wymiany z tytułu szkód transportowych.

BEZPIECZEŃSTWO PRZEDE WSZYSTKIM

2.0 ZASADY BEZPIECZEŃSTWA



Należy uważnie zapoznać się ze wszystkimi instrukcjami, ostrzeżeniami i uwagami. Należy przestrzegać wszystkich zasad bezpieczeństwa, aby uniknąć obrażeń

ciała oraz szkód rzeczowych podczas pracy. Firma Enerpac nie ponosi odpowiedzialności za obrażenia i szkody wynikające z użytkowania produktu niezgodnie z zasadami bezpieczeństwa, braku konserwacji oraz nieprawidłowej obsługi produktu i/lub układu. W przypadku wątpliwości dotyczących zasad bezpieczeństwa i procedur obsługi należy skontaktować się z firmą Enerpac. Jeżeli użytkownik nie odbył szkolenia z zasad bezpieczeństwa obowiązujących podczas pracy z wysokociśnieniowymi narzędziami hydraulicznymi, powinien skonsultować się z centrum dystrybucji lub centrum serwisowym, aby uzyskać informacje o kursach bezpieczeństwa oferowanych przez firmę Enerpac.

Niestosowanie się do wymienionych poniżej uwag i ostrzeżeń może doprowadzić do uszkodzenia urządzenia oraz obrażeń ciała.

PRZESTROGA wskazuje prawidłowe procedury i praktyki obsługi lub konserwacji, pozwalające zapobiec uszkodzeniu lub zniszczeniu sprzętu lub innego mienia.

OSTRZEŻENIE oznacza potencjalnie niebezpieczną sytuację, która wymaga zastosowania odpowiednich procedur lub praktyk, aby uniknąć obrażeń ciała.

NIEBEZPIECZEŃSTWO używane jest tylko w przypadku, gdy dana czynność lub zaniechanie działania może skutkować poważnymi obrażeniami ciała, a nawet śmiercią.



OSTRZEŻENIE: Podczas obsługi urządzeń hydraulicznych należy stosować odpowiednie środki ochrony indywidualnej.



OSTRZEŻENIE: Należy zachowywać bezpieczną odległość od ładunków podtrzymywanych przez urządzenia hydrauliczne. Jeśli cylinder używany jest jako podnośnik ładunku, nigdy nie należy wykorzystywać go jako urządzenia podtrzymującego ładunek. Po podniesieniu lub opuszczeniu ładunku należy go zawsze unieruchomić mechanicznie.



OSTRZEŻENIE: DO PODTRZYMYWANIA ŁADUNKÓW NALEŻY STOSOWAĆ TYLKO SZTYWNE ELEMENTY.

Należy starannie dobrać bloki ze stali lub drewna, aby były zdolne do podtrzymania ładunku. Nigdy nie należy używać cylindra hydraulicznego jako podkładki ustalającej lub dystansowej w jakimkolwiek zastosowaniu podnoszącym lub dociskającym.



NIEBEZPIECZEŃSTWO: Aby uniknąć obrażeń ciała, podczas pracy nie należy zbliżać rąk ani stóp do cylindra i obszaru roboczego.



OSTRZEŻENIE: Nie należy przekraczać wartości znamionowych urządzeń. Nigdy nie należy podnosić ładunku ważącego więcej niż wynosi udźwig cylindra. Przeciążenie powoduje awarię sprzętu i może prowadzić do obrażeń ciała. Cylindry zaprojektowano pod kątem maksymalnego ciśnienia 700 barów [10 000 psi]. Nie należy podłączać podnośnika ani cylindra do pompy z wyższym znamionowym ciśnieniem roboczym.



Nigdy nie należy nastawiać zaworu nadmiarowego na ciśnienie wyższe niż maksymalne ciśnienie znamionowe pompy. Wyższe ustawienia mogą doprowadzić do uszkodzenia sprzętu i/lub obrażeń ciała.



OSTRZEŻENIE: Ciśnienie robocze układu nie może przekraczać ciśnienia znamionowego komponentu układu o najniższej wartości znamionowej. Należy zainstalować w układzie manometrię, aby kontrolować wysokość ciśnienia roboczego. W ten sposób można kontrolować to, co dzieje się w układzie.



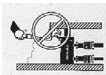
PRZESTROGA: Należy uważać, aby nie uszkodzić węża hydraulicznego. Podczas prowadzenia węża hydraulicznego należy unikać ostrych zagięć i załamania. Użycie zagiętego lub załamanego węża spowoduje wytworzenie silnego przeciwcisnienia. Ostre zagięcia i załamania doprowadzą do wewnętrznych uszkodzeń węża, powodując jego przedwczesne zniszczenie.



Nie należy upuszczać na wąż ciężkich przedmiotów. Silne uderzenie może spowodować wewnętrzne uszkodzenie splotu drutów w wężu. Poddawanie uszkodzonego węża działaniu ciśnienia może doprowadzić do jego rozerwania.



WAŻNE: Nie należy podnosić urządzeń hydraulicznych za pomocą węża lub złączek obrotowych. Należy korzystać z uchwytu do przenoszenia lub innych sposobów bezpiecznego transportu.



PRZESTROGA: Należy chronić wyposażenie hydrauliczne przed ogniem i źródłami ciepła. Zbyt wysoka temperatura spowoduje rozszczelnienie i osłabienie uszczelnień, doprowadzając do wycieków płynu. Wysoka temperatura spowoduje również osłabienie materiału, z którego wykonany jest wąż. Aby zapewnić optymalną sprawność, nie należy wystawiać urządzeń na działanie temperatury równej lub wyższej od 65°C [150°F]. Węże i cylindry należy zabezpieczyć przed odpryskami spawalniczymi.



NIEBEZPIECZEŃSTWO: Nie należy trzymać w rękach węży znajdujących się pod ciśnieniem. Wydostający się pod ciśnieniem olej może wnikać w skórę, powodując poważne obrażenia. Jeżeli olej przedostanie się pod skórę, należy natychmiast zgłosić się do lekarza.



OSTRZEŻENIE: Cylindrów hydraulicznych należy używać wyłącznie w odpowiednio podłączonym układzie. Nigdy nie używać cylindra z odłączonymi złączkami. W przypadku nadmiernego przeciążenia cylindra może dojść do gwałtownych uszkodzeń komponentów, które spowodują poważne obrażenia ciała.



OSTRZEŻENIE: PRZED PODNIESIENIEM ŁADUNKU NALEŻY SPRAWDZIĆ STABILNOŚĆ CAŁEGO UKŁADU. Cylindry należy umieścić na płaskiej powierzchni zdolnej do przyjęcia obciążenia. Zastosować podstawę cylindra w celu poprawy stabilności, o ile zachodzi taka potrzeba. Nie należy spawać ani w inny sposób modyfikować cylindra w celu zamocowania podstawy lub innej podpory.



Unikać sytuacji, w których ładunek nie jest ustawiony bezpośrednio na środku tłoka cylindra. Niewyważone ładunki powodują znaczne obciążenie cylindrów i tłoków. Ponadto ładunek może ześlizgnąć się lub spaść, powodując potencjalne zagrożenie.



Zadbać o równomierne rozłożenie obciążenia na całej powierzchni siodełka. Należy zawsze używać siodełka chroniącego tłok.



WAŻNE: Urządzenia hydrauliczne powinny być serwisowane wyłącznie przez wykwalifikowanego technika hydraulika. W sprawie napraw należy kontaktować się z lokalnym autoryzowanym centrum serwisowym firmy Enerpac. Aby zachować ważność gwarancji, należy używać tylko oleju firmy ENERPAC.



OSTRZEŻENIE: Zużyte i uszkodzone części należy niezwłocznie wymienić na oryginalne części firmy ENERPAC. Części o standardowej jakości ulegną uszkodzeniu, powodując obrażenia ciała i szkody rzeczowe. Części firmy ENERPAC są odpowiednio dopasowane i wytrzymują duże obciążenia.

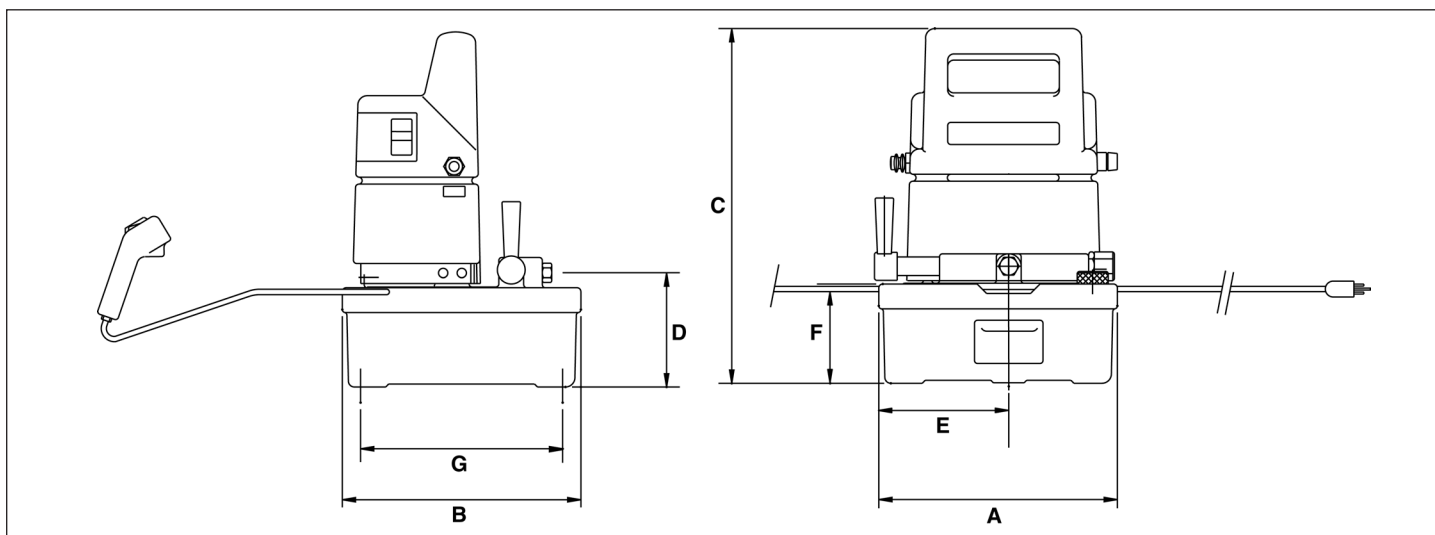


PRZESTROGA: Należy sprawdzić parametry techniczne oraz tabliczkę znamionową silnika. Użycie źródła zasilania o nieodpowiednich parametrach spowoduje uszkodzenie silnika.

3.0 Dane techniczne

	Modele „B”	Modele „E”
Ciśnienie robocze	0–700 barów	
Źródło energii elektrycznej	15 A, 120 V, uziemienie, 1-faz. 50/60 Hz	50/60 Hz, 10 A 220 V, 1-faz.
Dane znamionowe silnika	Moc silnika 1/2 HP uniwersalny, 9 A przy 700 barów i 12 000 obr./min. pracuje przy 60–125 V 85–89 dBA	0,37 kW uniwersalny, 4 A przy 700 barów i 12 000 obr./min. 85–89 dBA
Prędkość przepływu	3,3 l/min. przy 0–14 barów 0,33 l/min. przy 700 barów	
Maks. temperatura robocza	65°C	

Nr modelu	Używany z cylindrem	Rodzaj zaworu	Użytkowa objętość oleju	Masa
PUD-1100B/E	jednostronnego działania	zawór upustowy	2,00 l	14 kg
PUD-1101B/E			3,79 l	20 kg
PUD-1300B/E	jednostronnego działania	upust/podtrzymanie	2,00 l	14 kg
PUD-1301B/E			2,00 l	20 kg
PUJ-1200B/E	jednostronnego działania	3-drogowy, 2-pozycyjny	2,00 l	12 kg
PUJ-1201B/E			3,79 l	18 kg
PUJ-1400B/E	dwustronnego działania	4-drogowy, 3-pozycyjny	2,00 l	15 kg
PUJ-1401B/E			3,79 l	20 kg



Rysunek 1

Wymiary cm								
Modele	A	B	C	D	E	F	G	H
PUD-1100B/E, PUD-1300B/E, PUJ-1200B/E, PUJ-1400B/E	24,43	24,43	36,20	11,99	13,34	10,16	20,62	1,90
PUD-1101B/E, PUD-1301B/E, PUJ-1201B/E, PUJ-1401B/E	30,94	36,83	10,54	13,00	14,27	10,54	32,43	1,57

Wymiar „D” w modelu PUJ-1400B/E wynosi 15,7 cm; w modelu PUJ-1401B/E wynosi 16,7 cm.

4.0 INSTALACJA

4.1 Przyłącza hydrauliczne

Wszystkie gwinty należy owinąć 1–1,5 raza taśmą teflonową (lub innym uszczelniaczem do gwintów), pozostawiając bez taśmy cały pierwszy zwój gwintu, aby nie dopuścić do przedostania się do wnętrza układu hydraulicznego kawałków taśmy, co doprowadziłoby do uszkodzenia. Przyciąć luźne końcówki.



OSTRZEŻENIE: Aby zapewnić prawidłową pracę, należy unikać skręcania i ostrego zginania węży. W przypadku złamania lub innych uszkodzeń węża należy go wymienić.

Uszkodzone węże mogą ulec rozerwaniu pod wpływem wysokiego ciśnienia, powodując obrażenia ciała.

Modele PUJ-1200B/E, PUJ-1201B/E (rysunek 2)

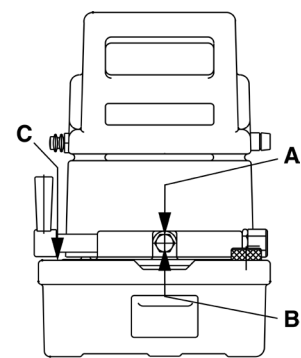
1. Zdejmij korek transportowy z przyłącza manometru 1/4"-18 NPTF (A) w górnej części zaworu sterującego.
2. Do przyłącza manometru (A) podłącz manometr o zakresie pomiaru ciśnienia 1035 barów [0–15 000 psi].
3. W razie potrzeby zamocuj wąż hydrauliczny w przyłączy wyjściowym 3/8"-18 NPTF zaworu (B).
4. Podłącz przewód powrotny, wkręcając wąż w przyłączy powrotu do zbiornika (C).

Modele PUJ-1400B/E, PUJ-1401B/E (rysunek 3)

1. Zdejmij korek transportowy z przyłącza wysuwu (D) zaworu. Zamocuj przyłącze manometryczne do przyłącza wysuwu 3/8"-18 NPTF (D).
2. Do górnego portu w przyłączy manometrycznym podłącz manometr o zakresie pomiaru ciśnienia 1035 barów [15 000 psi].
3. Podłącz wąż hydrauliczny do portu wyjściowego (3/8"-18 NPTF) przyłącza manometrycznego. Podłącz złączkę węża do złączki wysuwu cylindra. Ręcznie mocno dokręć pierścieni mocujący złącze. NIE używaj narzędzi do dokręcania połówek złącza.

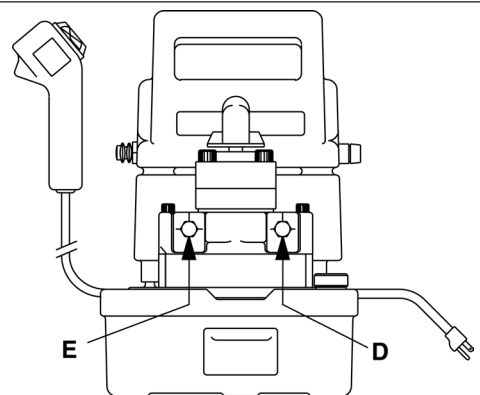
4. W przypadku stosowania obwodu dwustronnego działania podłącz wąż do przyłącza powrotu (E) na zaworze sterującym. Podłącz złączkę węża do złączki powrotu cylindra.

PUJ-1200B/E, PUJ-1201B/E



Rysunek 2

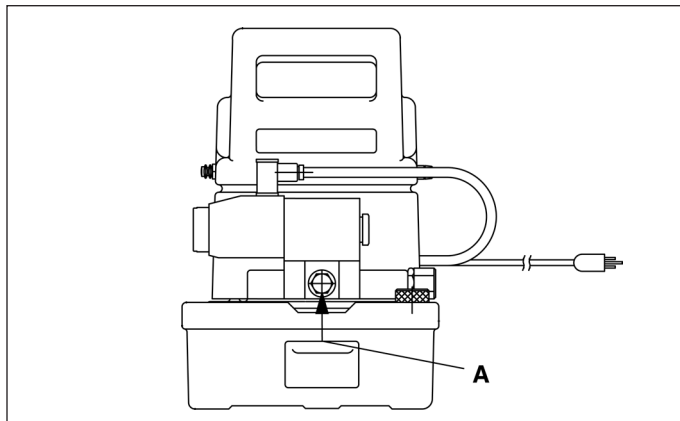
PUJ-1400B/E, PUJ-1401B/E



Rysunek 3

Modele PUD1100B/E, PUD-1101B/E, PUD1300B/E i PUD1301B/E

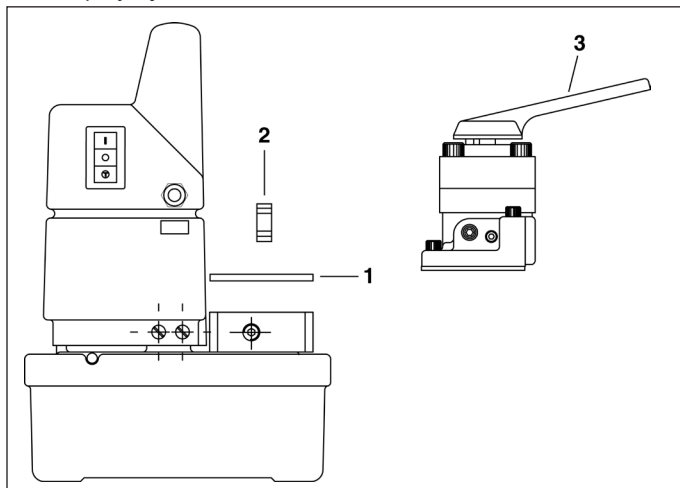
1. Wąż łączący pompę z cylindrem jest zamocowany bezpośrednio do przyłącza wyjściowego (A) zaworu sterującego (patrz rysunek 4).
2. W przypadku konieczności zainstalowania manometru do monitorowania ciśnienia w układzie należy w przyłączy wyjściowym (A) zaworu zamocować przyłącze manometryczne. Podłącz manometr o zakresie pomiaru ciśnienia 700 barów [0–10 000 psi] do odpowiedniego portu w przyłączy manometrycznym.



Rysunek 4

4.2 Montaż zaworu (rysunek 5)

1. Zdejmij płytkę (nr 1, D43918098).
2. Sprawdź, czy łącznik (2) jest zamocowany w pompie. Jeśli nie, zamocuj łącznik z zachowaniem ostrożności, tak by nie dopuścić do przycięcia uszczeltek.



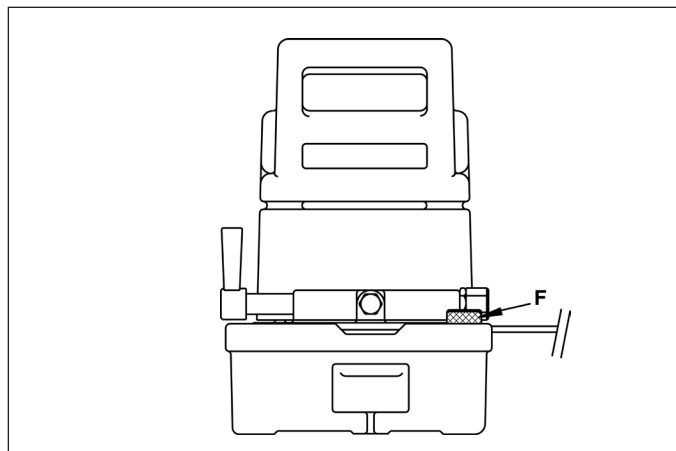
Rysunek 5

3. Zamontuj zawór (3), zachowując ostrożność, tak by nie dopuścić do przycięcia uszczeltek.

4.3 Uzupełnianie oleju (rysunek 6)

Sprawdź poziom oleju, odkręcając i zdejmując korek odpowietrzający/wlewowy (F). Dolej oleju hydraulicznego firmy Enerpac do poziomu 1 cm (1/2 cala) poniżej otworu odpowietrzającego/wlewowego.

WAŻNE: Olej należy uzupełniać wyłącznie wtedy, gdy wszystkie komponenty układu są całkowicie wsunięte. W przeciwnym wypadku układ przyjmie większą ilość oleju niż może zmieścić się w zbiorniku.



Rysunek 6

5.0 OBSŁUGA

UWAGA: Aby uniknąć strat napięcia pomiędzy gniazdkiem elektrycznym a silnikiem pompy, użyj możliwie najkrótszego przewodu zasilania. Silnik pompy może działać przy niskim napięciu, ale prędkość silnika i przepływ oleju ulegną zmniejszeniu.

1. Sprawdź wszystkie łączniki i przyłącza pod kątem dokręcenia i szczelności.
2. Sprawdź poziom płynu i dolej go w razie potrzeby.
3. Otwórz korek odpowietrzający (F) pompy, znajdujący się z przodu po prawej stronie zbiornika, obracając go o 1 lub 2 pełne obroty.

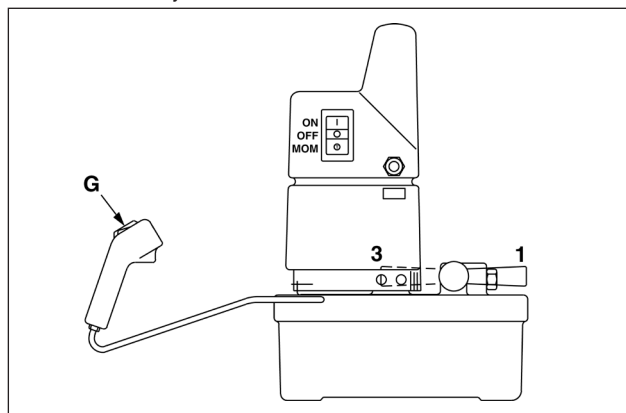


PRZESTROGA: Korek odpowietrzający musi być zawsze otwarty podczas pracy pompy.

5.1 Obsługa przełącznika (rysunek 7)

Model wersji „B” wymaga obwodu o parametrach: 15 A, 120 V, uziemienie, 1-faz. Model wersji „E” wymaga: 220 V, 1-faz. Przewód zasilający pompę ma długość 1,5 m.

1. Przełącznik pompy umiejscowiony jest z boku obudowy. Przełącznik ma trzy pozycje: pierwsza to „ON” (WŁ.), środkowa to „OFF” (WYŁ.), a dolna oznacza chwilową „MOM” (CHW.). Naciśnięcie górnej pozycji „ON” (WŁ.) powoduje włączenie obwodu elektrycznego, ale nie uruchamia silnika pompy. Silnik pompy uruchamiany jest za pomocą przełącznika (G) na kasecie sterowniczej.
2. Naciśnięcie dolnej części przełącznika powoduje włączenie silnika pompy na tak długo, jak długo będzie wciśnięty przycisk. Zwolnienie przycisku powoduje zatrzymanie pompy. Ta chwilowa pozycja stanowi alternatywę dla sterowania za pomocą kasety sterowniczej.



Rysunek 7

5.2 Zawór sterujący pompy w modelach PUJ-1200B/E i PUJ-1201B/E

Zawór sterujący pompy kieruje wypływem płynu hydraulicznego lub powrotem z podzespołów układu hydraulicznego. Te modele są wyposażone w zawory trójdrogowe, dwupozycyjne. Pozycje zaworów pokazano na rysunku 8: **(1)**-Wysuw; **(3)**-Powrót. Aby wysunąć cylinder, przestaw zawór na pozycję wysuwu **(1)** i naciśnij przełącznik na kasecie sterowniczej.

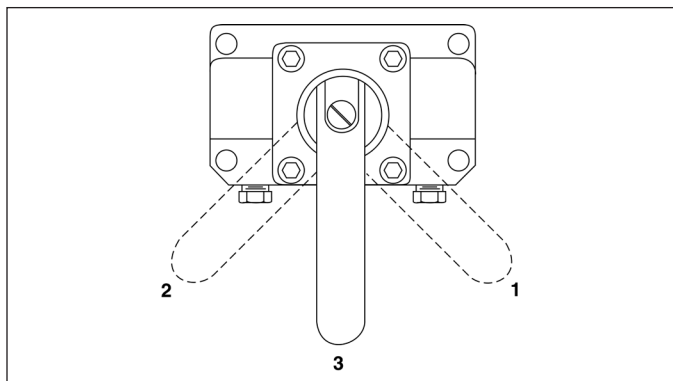
Cylinder będzie wysuwać się do momentu zwolnienia przycisku na kasecie sterowniczej.

Aby cofnąć cylinder, przestaw zawór na pozycję powrotu **(3)**.

Cylinder wsunie się bez względu na to, czy pompa pracuje, czy nie.

Modele PUJ 1400B/E i PUJ-1401B/E (rysunek 8)

Zawory sterujące w modelach pomp PUJ-1400B/E i PUJ-1401B/E są 4-drogowe, 3-pozycyjne, przeznaczone do stosowania z cylindrami dwustronnego działania, gdzie wysuw i powrót uruchamiane są hydraulicznie. Pozycje zaworów pokazano na rysunku 8: 1- Wysuw; 2- Powrót; 3- Pozycja neutralna. W każdej pozycji ruch cylindra sterowany jest za pomocą przycisku na kasecie sterowniczej.



Rysunek 8

Modele PUD-1100B/E i PUD-1101B/E

Modele PUD-1100B/E i PUD-1101B/E służą do obsługi cylindrów jednostronnego działania, gdy funkcja podtrzymywania jest niepotrzebna. Naciśnięcie przycisku na kasecie sterowniczej powoduje uruchomienie silnika i wysunięcie cylindra. Po zwolnieniu przycisku nastąpi powrót cylindra.

Modele PUD-1300B/E i PUD-1301B/E

Modele PUD-1300B/E i PUD-1301B/E służą do obsługi cylindrów jednostronnego działania, gdy funkcja podtrzymywania jest wymagana. Naciśnięcie przycisku wysuwu powoduje uruchomienie pompy i wysunięcie cylindra.

Zwolnienie przycisku wysuwu spowoduje zatrzymanie pompy, a cylinder podtrzyma ładunek za pomocą zaworu. Naciśnięcie przycisku powrotu spowoduje przestawienie zaworu, umożliwiając powrót ładunku.

UWAGA: Czas wymagany do zatrzymania silnika może być różny i zależy od parametrów ładunku, w związku z tym zwolnienie przycisku wysuwu może nie oznaczać dokładnego momentu przerwania wysuwu ładunku. Podczas zatrzymywania silnika cylinder może jeszcze wykonać niewielki ruch.

5.3 Wyłącznik termiczny (wszystkie modele)

Aby zabezpieczyć pompę przed uszkodzeniem, wewnętrzny wyłącznik termiczny wyłącza silnik, gdy temperatura oleju osiągnie 65°C [150°F]. Gdy temperatura spadnie do 54°C [130°F], wyłącznik automatycznie się zresetuje.

5.4 Odpowietrzanie

Przy pierwszym podłączeniu układu hydraulicznego w jego wnętrzu zostanie zablokowane powietrze. Aby zapewnić płynne i bezpieczne działanie, należy powietrze usunąć, przeprowadzając kilka pełnych cykli pracy układu bez obciążania cylindrów. Jeśli cylindry będą wysuwać się i powracać w sposób płynny i bez zakłóceń, oznacza to pełne odpowietrzanie układu.

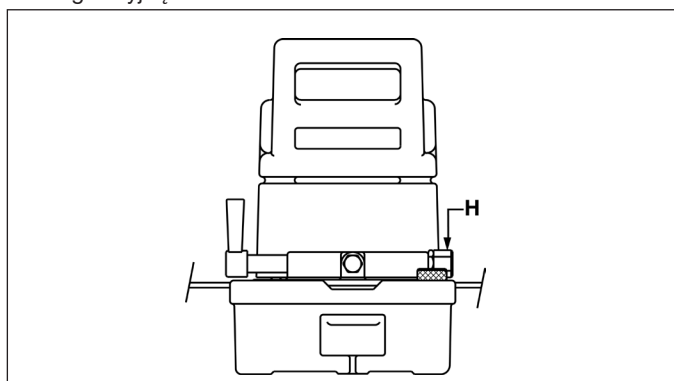


OSTRZEŻENIE: Aby zapobiec obrażeniom ciała i uszkodzeniu sprzętu, nie należy kontynuować zwiększania ciśnienia w cylindrach w momencie, gdy osiągną maksymalny skok lub maksymalną temperaturę roboczą.

6.0 REGULACJA ZAWORU NADMIAROWEGO (Rysunek 9)

Główny zawór nadmiarowy pompy jest wewnętrzny, nie można go regulować i ma fabrycznie ustawiony poziom maksymalnego ciśnienia roboczego na 700 barów (10 000 psi). Dodatkowy, zewnętrzny zawór nadmiarowy znajduje się pod zaślepką sześciokątną, po prawej stronie pompy. Zewnętrzny zawór nadmiarowy można regulować w zakresie od 700 do 140 barów (od 10 000 do 2000 psi). Wartości graniczne ciśnienia roboczego można obniżyć poniżej poziomu 700 barów (10 000 psi), ale nie można ich zwiększyć powyżej poziomu 700 barów (10 000 psi). (Modele PUJ-1400B/E i PUJ-1401B/E nie są wyposażone w zewnętrzne zawory nadmiarowe z możliwością regulacji.)

1. Zamontuj manometr zgodnie z instrukcjami podanymi na stronie 76.
2. Zamocuj korek w przyłączy wyjściowym zaworu.
3. Wykręć zaślepkę sześciokątną **(H)**, przykrywającą śrubę regulacyjną zaworu nadmiarowego.
4. Obróć śrubę regulacyjną o jeden pełny obrót w lewo za pomocą klucza imbusowego.
5. Włącz pompę, ustawiając ją w pozycji „ON” („WŁ.”), i uruchom silnik pompy, obserwując manometr wskazujący maksymalne ciśnienie. Zatrzymaj pompę.
6. Kontynuuj regulację nastawy do momentu uzyskania wymaganego poziomu ciśnienia.
7. Sprawdź nastawę, uruchamiając pompę kilka razy. Jeżeli odczyt manometru będzie taki sam za każdym razem, oznacza to stabilną nastawę zaworu.
8. Zamocuj z powrotem zaślepkę sześciokątną, aby przykryć śrubę regulacyjną.



Rysunek 9

UWAGA: Aby uzyskać jak najdokładniejszą nastawę zaworu nadmiarowego, zacznij od niższego poziomu ciśnienia i reguluj w górę do wymaganego ustawienia zaworu nadmiarowego.



OSTRZEŻENIE Aby uniknąć uszkodzenia sprzętu i obrażeń ciała, nie należy próbować przekraczać poziomu 700 barów [10 000 psi] maksymalnego ciśnienia roboczego.

7.0 KONSERWACJA

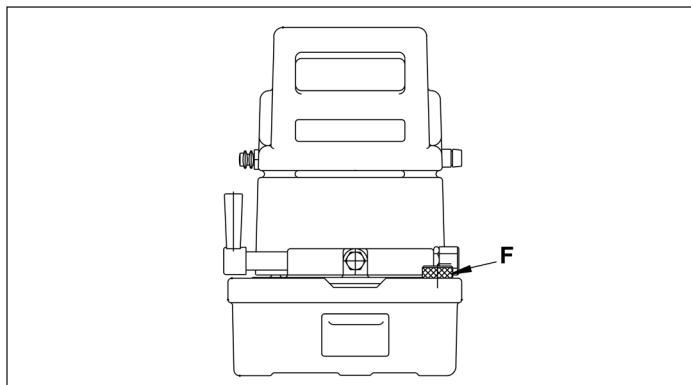
7.1 Kontrola poziomu oleju

Co każde 40 godzin pracy sprawdź poziom oleju hydraulicznego w zbiorniku. W razie potrzeby dolej oleju do poziomu 1 cm (1/2 cala) poniżej otworu wlewowego. Należy stosować wyłącznie olej hydrauliczny firmy Enerpac. Użycie innych olejów lub płynów może doprowadzić do uszkodzenia układu i spowoduje unieważnienie gwarancji udzielanej przez firmę Enerpac.

7.2 Wymiana oleju (rysunek 10)

Co każde 100 godzin pracy należy całkowicie opróżnić zbiornik. Następnie należy napełnić go ponownie świeżym olejem hydraulicznym. W przypadku obsługi pompy w miejscach o bardzo dużym zapyleniu lub wysokiej temperaturze zbiornik należy częściej opróżniać i ponownie napełniać.

1. Aby opróżnić zbiornik, zdejmij korek odpowietrzający/wlewowy (F) z górnej części zbiornika, po prawej stronie.
2. Przechyl pompę, aż zużyty olej zostanie całkowicie spuszczonej.
3. Napełnij zbiornik świeżym olejem przez ten sam otwór. Pojemność zbiornika wynosi 2,8 l [0,75 gal.] lub 5,7 l [1,5 gal.], w zależności od modelu.
4. Ponownie zamocuj korek wlewowy (F).



Rysunek 10

7.3 Czyszczenie zbiornika

Zbiornik pompy można wyjąć w celu jego wyczyszczenia. W przypadku ciągłego używania pompy w bardzo zapyłonym otoczeniu zbiornik należy czyścić raz w roku.

1. Opróżnij zbiornik jak opisano w krokach 1 i 2 w sekcji „Wymiana oleju”.
2. Wykręć sześć śrub mocujących obudowę do zbiornika. Zdejmij obudowę ze zbiornika. Silnik jest zabezpieczony poduszką z pianki w celu oddzielenia przewodów elektrycznych od silnika. Zachowaj ostrożność, aby nie uszkodzić przewodów ani nie wyciągnąć przewodów podłączonych do zacisków.
3. Wykręć osiem śrub mocujących pompę do zbiornika. Zdejmij pompę ze zbiornika i wyjmij uszczelkę.
4. Dokładnie wyczyść zbiornik za pomocą odpowiedniego rozpuszczalnika.
5. Z powrotem zamocuj pompę i zbiornik, instalując nową uszczelkę. Umieść obudowę nad silnikiem, z uchwytem obudowy skierowanym w stronę zaworu pompy. Zamontuj sześć śrub montażowych oraz wewnętrzne/zewnętrzne podkładki zabezpieczające.

W przypadku konieczności naprawy pompy skontaktuj się z miejscowym autoryzowanym centrum serwisowym firmy Enerpac.

7.4 Szczotki w silniku

Szczotki w silniku należy sprawdzać co najmniej raz na dwa lata. W przypadku pomp intensywnie użytkowanych należy sprawdzać szczotki co najmniej raz na pół roku.



NIEBEZPIECZEŃSTWO: Aby uniknąć śmiertelnego porażenia prądem elektrycznym, przed przystąpieniem do serwisowania szczotek pompę należy całkowicie odłączyć od zasilania elektrycznego.

8.0 ROZWIĄZYWANIE PROBLEMÓW (patrz tabela)

Tabela rozwiązywania problemów ma służyć pomocą w diagnozowaniu i naprawie możliwych problemów z pompą.

Tylko wykwalifikowani technicy powinni rozwiązywać problemy z pompą i serwisować urządzenie. W celu naprawy należy skontaktować się z najbliższym autoryzowanym centrum serwisowym firmy Enerpac.

8.1 Wyłącznik ochrony (pompy z kodem daty „F” i późniejszym)

W przypadku przeciążenia elektrycznego nastąpi wyzwolenie wyłącznika ochronnego. Po sprawdzeniu sytuacji i usunięciu przyczyny przeciążenia wciśnij przycisk wyłącznika ochronnego, aby go zresetować.

8.2 Bezpieczniki (pompy z kodem daty „F” i późniejszym)

Bezpieczniki wewnętrzne zabezpieczają obwód pierwotny i wtórny transformatora regulacyjnego. W przypadku przepalenia bezpiecznika sprawdź sytuację i usuń przyczynę awarii. Następnie wymień przepalony bezpiecznik na nowy o odpowiedniej obciążalności dopuszczalnej. Informacje o obciążalności dopuszczalnej bezpieczników można znaleźć w karcie części zamiennych posiadanego modelu pompy.



OSTRZEŻENIE: Przed przystąpieniem do wymiany bezpieczników należy zawsze odłączyć zasilanie elektryczne.

Uwaga: Następujące pompy **nie** są wyposażone w bezpieczniki:

- pompy wyprodukowane przed kodem daty „F”;
- modele bez kasety sterowniczej (wszystkie kody dat).

9.0 NORMY BADAŃ

9.1 Kanadyjskie Stowarzyszenie Normalizacyjne (Canadian Standards Association, CSA)

W określonych przypadkach zespoły pomp spełniają wymagania konstrukcyjne, montażowe i testowe postawione przez Kanadyjskie Stowarzyszenie Normalizacyjne (CAN/CSA — C22.2 Nr 68–92, Urządzenia z napędem silnikowym).

9.2 Conformité Européene (CE)

W określonych przypadkach dołączana jest deklaracja zgodności WE oraz oznaczenie CE na produkcie. Produkty te spełniają wymagania norm europejskich: EN982:1996, EN1050:1998 i EN-ISO-12100-1&2:2003, oraz dyrektyw WE: 2006/42/WE, 97/23/WE, 2004/108/WE, 2006/95/WE oraz 97/23/WE.

TABELA DOTYCZĄCA ROZWIĄZYWANIA PROBLEMÓW

Problem	Możliwa przyczyna	Rozwiązanie
Nie można uruchomić pompy.	Brak zasilania. Niewłaściwe napięcie.	Sprawdź źródło energii elektrycznej. Sprawdź parametry napięcia na stronie 74.
Cylinder nie wysuwa się lub nie powraca.	Niski poziom płynu. Zapchany filtr wlotowy. Zawór w nieodpowiedniej pozycji. Awaria zaworu.	Napełnij zbiornik do odpowiedniego poziomu. Wyczyść lub wymień filtr wlotowy. Przestaw zawór do pozycji ciśnienia. Zleć naprawę pompy przez wykwalifikowanego technika hydraulika.
Cylinder wysuwa się i powraca w nierówny sposób	Powietrze w układzie. Zewnętrzny wyciek w układzie. Wewnętrzny wyciek hydrauliczny.	Usuń powietrze z układu, uruchamiając i zatrzymując urządzenie, aż będzie pracować płynnie i bez zakłóceń. Dokręć nieszczelne połączenia. Wymień uszkodzone węże i łączniki. Zleć naprawę pompy przez wykwalifikowanego technika hydraulika.
Pompa nie utrzymuje ciśnienia.	Zewnętrzny wyciek hydrauliczny. Wewnętrzny wyciek hydrauliczny.	Dokręć nieszczelne połączenia. Wymień uszkodzone węże lub łączniki. Zleć naprawę pompy przez wykwalifikowanego technika hydraulika.
Niski wypływ płynu.	Niski poziom płynu. Nieszczelne elementy podzespołów pompy. Nieprawidłowe działanie zaworu obejściowego. Filtry wlotowe płynu na blokach tłoka mogą być zapchane przez zanieczyszczenia.	Napełnij zbiornik do odpowiedniego poziomu. Przeprowadź test, by wykryć nieszczelności. Zleć naprawę pompy przez wykwalifikowanego technika hydraulika. Sprawdź filtry wlotowe. Oplucz wszystkie komponenty z zanieczyszczeń. Wymień wszelkie uszkodzone podzespoły.

L2062 Rev. I 02/21

CS

1.0 DŮLEŽITÉ POKYNY PRO PŘÍJEM

Vizuálně zkontrolujte všechny komponenty, zda nebyly při přepravě poškozeny. Na poškození při přepravě se **nevztahuje** záruka. Pokud zjistíte poškození, ihned informujte dopravce. Dopravce je zodpovědný za uhrazení všech nákladů na opravu a výměnu v důsledku poškození při přepravě.

BEZPEČNOST NA PRVNÍM MÍSTĚ

2.0 BEZPEČNOSTNÍ POKYNY



Pečlivě si přečtěte všechny pokyny, varování a upozornění. Dodržujte veškerá bezpečnostní opatření, abyste předešli zranění osob a škodám na majetku během provozu systému. Společnost Enerpac odmítá zodpovědnost za škody nebo zranění plynoucí z nebezpečného používání výrobku, nedostatečné údržby nebo nesprávného provozu výrobku a/nebo systému. Jste-li ohledně bezpečnostních opatření a provozu na pochybách, kontaktujte společnost Enerpac. Pokud jste nikdy nebyli školeni v oblasti bezpečnosti při používání vysokotlakého hydraulického nářadí, požádejte své distribuční nebo servisní středisko o kurz bezpečnosti při používání hydraulického nářadí Enerpac.

Nedodržení následujících upozornění a varování může vést k poškození zařízení nebo ke zranění osob.

UPOZORNĚNÍ slouží k vysvětlení správných provozních a servisních postupů za účelem zabránění poškození či zničení zařízení či jiného majetku.

VAROVÁNÍ označuje potenciální nebezpečí, které vyžaduje použití správných postupů za účelem zabránění zranění osob.

NEBEZPEČÍ se používá pouze v případě, kdy určitá akce nebo neprovedení akce může způsobit vážné zranění nebo dokonce smrt.



VAROVÁNÍ: Při používání hydraulických zařízení používejte patřičné osobní ochranné prostředky.



VAROVÁNÍ: Držte se stranou břemen, které podpírá hydraulika. Pokud se válec používá ke zvedání břemen, nesmí se nikdy používat jako zařízení k držení břemene.

Po zvednutí nebo spuštění břemene se musí vždy mechanicky zablokovat.



VAROVÁNÍ: K DRŽENÍ BŘEMEN POUŽÍVEJTE POUZE PEVNÉ PŘEDMĚTY. Pečlivě vyberte ocelové nebo dřevěné kvádry, které jsou vhodné pro podepření příslušného břemene. Při zvedání nebo tlačení nikdy nepoužívejte hydraulický válec jako vložku nebo distanční prvek.



NEBEZPEČÍ: Při provozu dbejte na to, abyste nenechali ruce ani nohy v blízkosti válce a břemene.



VAROVÁNÍ: Nepřekračujte jmenovité hodnoty zařízení. Nikdy se nepokoušejte zvedat břemeno, které má vyšší hmotnost, než je kapacita válce. Přetížení může způsobit selhání zařízení a možné zranění. Válce jsou určeny pro max. tlak 700 bar. Zvedák nebo válec nepřipojujte k čerpadlu s vyšší hodnotou jmenovitého tlaku.



Pojistný ventil nikdy nenastavujte na vyšší tlak, než je maximální jmenovitý tlak čerpadla. Nastavení na vyšší hodnotu může vést k poškození zařízení nebo zranění osob.



VAROVÁNÍ: Provozní tlak systému nesmí překročit jmenovitý tlak komponenty s nejnižším jmenovitým tlakem v systému. Nainstalujte do systému manometry, abyste mohli sledovat provozní tlak. Tak můžete sledovat, co se v systému děje.



UPOZORNĚNÍ: Vyvarujte se poškození hydraulické hadice. Při vedení hydraulických hadic dbejte na to, aby neměly ostré ohyby ani smyčky. Při použití ohnuté nebo zkroucené hadice vzniká silný zpětný tlak. Ostré ohyby a smyčky poškodí vnitřek hadice a povedou k jejímu předčasnému selhání.



Nepouštějte na hadici těžké předměty. Prudký náraz může způsobit poškození drátů zpevňujících hadici uvnitř. Natlakování poškozené hadice může vést k jejímu prasknutí.



DŮLEŽITÉ: Hydraulické zařízení nezvedejte za hadici ani za otočné spojky. Pro bezpečné přenášení používejte madlo nebo jiné způsoby.



UPOZORNĚNÍ: Hydraulické zařízení nikdy nedávejte do blízkosti plamenů a zdroje tepla. Nadměrné teplo změkčí manžety a těsnění, což povede k úniku kapaliny.

Teplo také oslabuje materiály a manžety hadice. Pro optimální výkon nevystavujte zařízení teplotám přesahujícím 65 °C. Veškeré hadice a válce chraňte před jiskrami při sváření.



NEBEZPEČÍ: Nemanipulujte s natlakovanými hadicemi. Unikající olej může pod tlakem proniknout kůži a způsobit vážné zranění. Pokud se vám olej dostane pod kůži, okamžitě vyhledejte lékaře.



VAROVÁNÍ: Hydraulické válce používejte pouze v zapojeném systému. Nikdy nepoužívejte válec s nezapojenými spojkami. Pokud se válec extrémně přetíží, mohou komponenty katastrofálně selhat a způsobit vážné zranění.



VAROVÁNÍ: PŘED ZVEDNUTÍM BŘEMENE SE UJISTĚTE, ZDA JE ZAŘÍZENÍ STABILNÍ. Válce by se měly umístit na rovný povrch, který dokáže břemeno podepřít. Podle okolností pro zajištění vyšší stability použijte základnu válce. Za účelem připojení základny nebo jiné podpěry válec nesvařujte ani jej jinak neupravujte.



Dbejte na to, aby nedošlo k situaci, kdy břemena nebudou přímo vycentrována na pístu válce. Břemena, která nejsou na středu, působí na válce a písty velkou zátěží. Kromě toho břemeno může sklouznout nebo spadnout a způsobit potenciální nebezpečí.



Zátěž rozložte rovnoměrně po celém povrchu tlačné koncovky. Vždy používejte tlačnou koncovku kvůli ochraně pístu.



DŮLEŽITÉ: Servis hydraulického zařízení musí provádět pouze kvalifikovaný technik se specializací na hydraulická zařízení. Pokud potřebujete zařídit opravu, obraťte se na autorizované servisní středisko společnosti ENERPAC ve svém okolí. Za účelem zachování záruky používejte výhradně olej ENERPAC.



VAROVÁNÍ: Opatřované nebo poškozené díly ihned nahraďte originálními díly ENERPAC. Univerzální, neoriginální díly se poškodí, a způsobí zranění a škody na majetku. Díly ENERPAC jsou navrženy tak, aby správně pasovaly a aby vydržely velké zatížení.

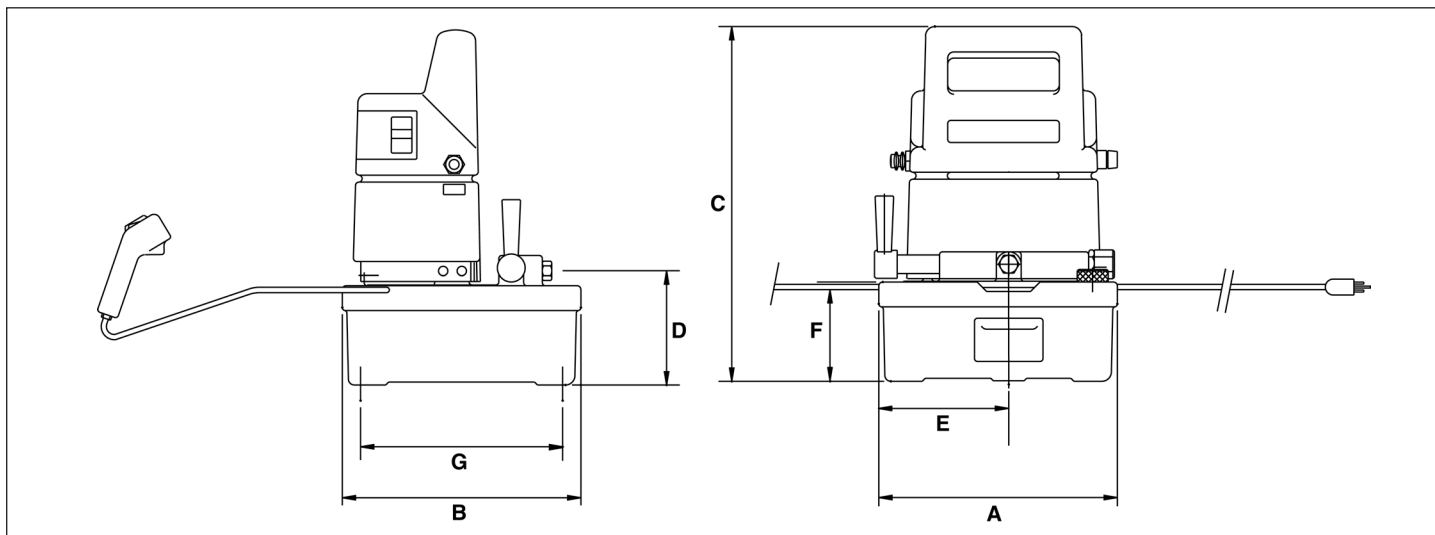


UPOZORNĚNÍ: Zkontrolujte parametry a údaje na štítku motoru. Použití nesprávného zdroje způsobí poškození motoru.

3.0 Parametry

	Modely „B“	Modely „E“
Provozní tlak	0–700 bar	
Elektrický zdroj	15 A, 120 V, uzemněný, 1fázový, 50/60 Hz	10 A, 220 V, 1fázový, 50/60 Hz
Jmenovité hodnoty motoru	0,37 kW, univerzální, 9 A při 700 bar, 12000 ot/min při 60–125 V, 85–89 dBA	0,37 kW, univerzální, 4 A při 700 bar, 12000 ot/min, 85–89 dBA
Průtok	3,3 l/min při 0–14 bar, 0,33 l/min při 700 bar	
Max. provozní teplota	65 °C	

Č. modelu	Použití s válcem	Typ ventilu	Užitečný objem nádrže	Hmotnost
PUD-1100B/E	jednočinný	vypouštěcí	2,00 l	14 kg
PUD-1101B/E			3,79 l	20 kg
PUD-1300B/E	jednočinný	vypouštěcí/zadržný	2,00 l	14 kg
PUD-1301B/E			2,00 l	20 kg
PUJ-1200B/E	jednočinný	trojcestný, dvoupolohový	2,00 l	12 kg
PUJ-1201B/E			3,79 l	18 kg
PUJ-1400B/E	dvojitý	čtyřcestný, třípolohový	2,00 l	15 kg
PUJ-1401B/E			3,79 l	20 kg



Obrázek 1

Rozměry v cm								
Modely	A	B	C	D	E	F	G	H
PUD-1100B/E, PUD-1300B/E, PUJ-1200B/E, PUJ-1400B/E	24,43	24,43	36,20	11,99	13,34	10,16	20,62	1,90
PUD-1101B/E, PUD-1301B/E, PUJ-1201B/E, PUJ-1401B/E	30,94	36,83	10,54	13,00	14,27	10,54	32,43	1,57

Rozměr „D“ je u modelu PUJ-1400B/E 15,7 cm a u modelu PUJ-1401B/E 16,7 cm.

4.0 INSTALACE

4.1 Hydraulické přípojky

Na všechny závit navíňte 1 a půl otáčky teflonové pásky (nebo aplikujte jiné vhodné těsnění na závit). První závit ponechte volný, aby nedošlo k vniknutí pásky do hydraulického systému a jeho následnému poškození. Přechýlující konce odstraňte.



VAROVÁNÍ: Pro zajištění správného provozu nesmí být na hadici ostré ohyby ani smyčky. Pokud se hadice zkroutí nebo jinak poškodí, musí se vyměnit. Poškozené hadice mohou při vysokém tlaku prasknout, a způsobit zranění osob.

Modely PUJ-1200B/E, PUJ-1201B/E (obrázek 2)

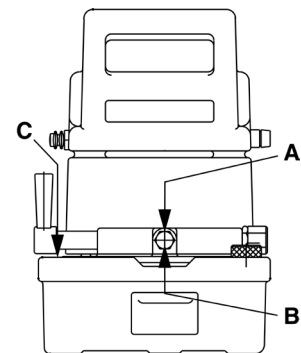
1. Odstraňte přepravní zátku z přípojky manometru 1/4"-18 NPTF (A) na horní straně ovládacího ventilu.
2. Do přípojky manometru (A) namontujte manometr 1035 bar.
3. V případě potřeby do výstupní přípojky ventilu 3/8"-18 NPTF (B) zašroubujte hydraulickou hadici.
4. Vratnou větev připojte zašroubováním hadice do přípojky návratu do nádrže (C).

Modely PUJ-1400B/E, PUJ-1401B/E (obrázek 3)

1. Odstraňte přepravní zátku z vysouvací přípojky ventilu (D). Do vysouvací přípojky ventilu 3/8"-18 NPTF (D) namontujte adaptér manometru.
2. Do horní přípojky adaptéru namontujte manometr 1035 bar.
3. Do výstupní přípojky adaptéru (3/8"-18 NPTF) namontujte hydraulickou hadici. Připojte spojku na hadici ke spojce na vysouvacím výstupu válce. Převlečnou matici spojky pevně utáhněte rukou. Ke spojení obou polovin spojky NEPOUŽÍVEJTE nástroje.

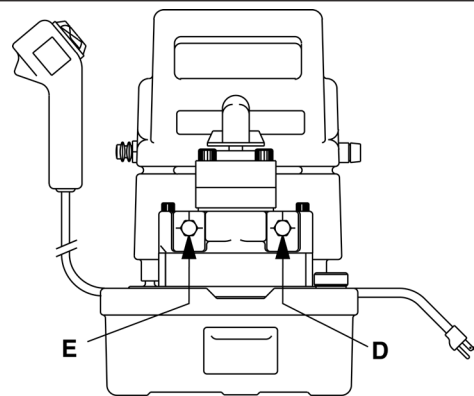
4. Při použití dvojitného obvodu namontujte hadici k zatahovací přípojce (E) na ovládacím ventilu. Připojte spojku na hadici ke spojce na zatahovacím výstupu válce.

PUJ-1200B/E, PUJ-1201B/E



Obrázek 2

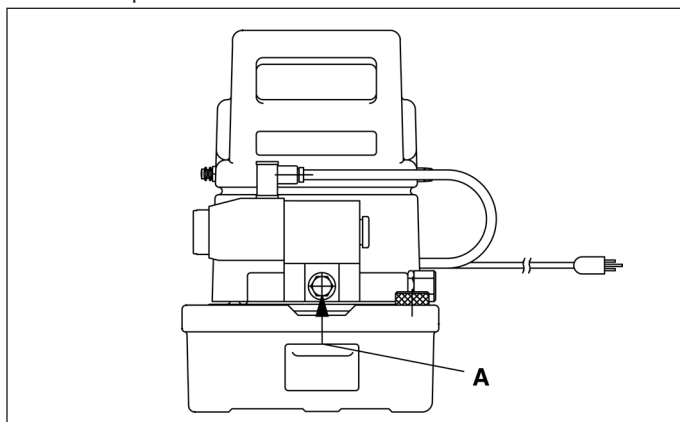
PUJ-1400B/E, PUJ-1401B/E



Obrázek 3

Modely PUD1100B/E, PUD-1101B/E, PUD1300B/E a PUD1301B/E

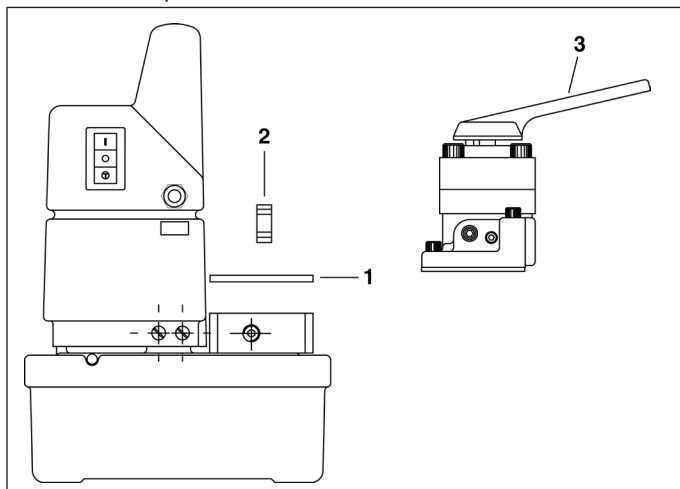
1. Hadice spojující čerpadlo a válec se připojuje přímo k výstupní přípojce (A) ovládacího ventilu (viz obrázek 4).
2. Chcete-li do systému zapojit manometr za účelem sledování tlaku, do výstupní přípojky ventilu (A) je třeba namontovat adaptér. Namontujte manometr 700 bar do přípojky adaptéru určené pro manometr.



Obrázek 4

4.2 Montáž ventilu (obrázek 5)

1. Odstraňte desku (1, D43918098).
2. Zkontrolujte, zda je v čerpadle namontována přípojka (2). Není-li přípojka osazena, namontujte ji, přičemž dbejte, aby nedošlo k poškození těsnění.



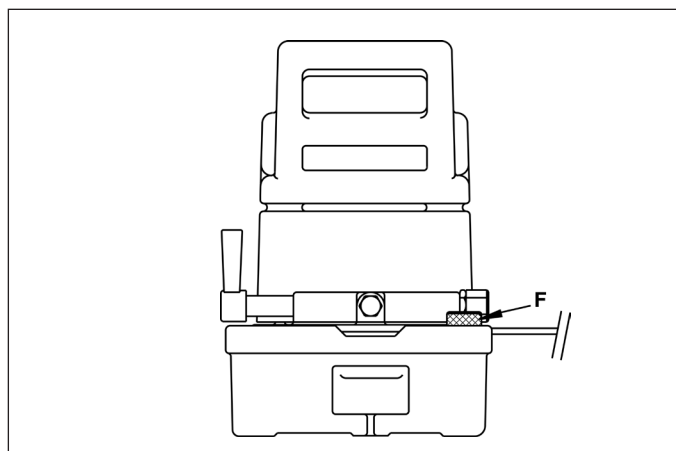
Obrázek 5

3. Namontujte ventil (3), přičemž dbejte, aby nedošlo k poškození těsnění.

4.3 Doplnění oleje (obrázek 6)

Odšroubujte a odejměte odvzdušňovací/plnicí zátku (F) a zkontrolujte hladinu oleje. Doplněte hydraulický olej Enerpac, dokud hladina nedosáhne 1 cm pod odvzdušňovacím/plnicím otvorem.

DŮLEŽITÉ: Doplnění oleje provádějte pouze při zatažení všech součástí systému, jinak v systému bude více oleje, než pojme nádrž.



Obrázek 6

5.0 PROVOZ

POZNÁMKA: Pro vyloučení energetických ztrát mezi elektrickou zásuvkou a motorem čerpadla použijte co nejkratší prodlužovací kabel. Motor čerpadla bude pracovat i při nízkém napětí, jeho otáčky a průtok oleje však budou nižší.

1. Zkontrolujte všechny systémové armatury a přípojky, abyste měli jistotu, že jsou dotažené a těsní.
2. Zkontrolujte hladinu kapaliny, a případně ji doplňte.
3. Otočením o 1 až 2 celé otáčky otevřete odvzdušňovací zátku čerpadla (F), umístěnou v pravém předním rohu nádrže.

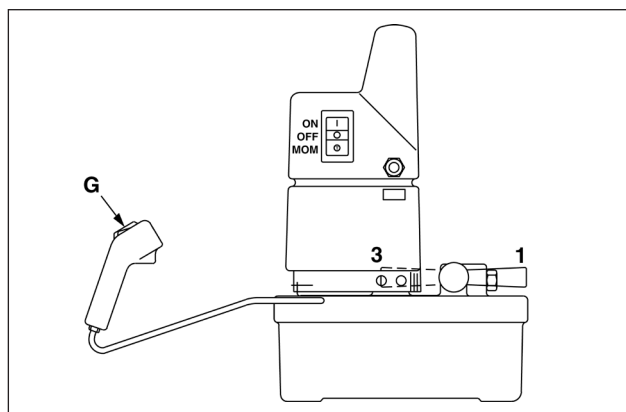


UPOZORNĚNÍ: Kdykoli čerpadlo pracuje, musí být odvzdušňovací zátka otevřená.

5.1 Funkce přepínače (obrázek 7)

Verze „B“ vyžaduje jednofázový uzemněný obvod 15 A, 120 V. Verze „B“ vyžaduje jednofázový obvod 220 V. Délka napájecího kabelu čerpadla je 1,5 metru.

1. Přepínač čerpadla se nachází na boční straně krytu. Jedná se o třipolohový přepínač, s horní polohou označenou „ON“ (zapnuto), střední polohou „OFF“ (vypnuto) a dolní polohou „MOM“ pro dočasné použití. Stisknutím přepínače v horní poloze „ON“ dojde k aktivaci elektrického obvodu, avšak motor čerpadla se nespustí. Motor čerpadla se zapíná tlačítkem na dálkovém ovladači (G).
2. Stisknutím a podržením přepínače v dolní poloze dojde k zapnutí motoru čerpadla. Uvolněním přepínače se čerpadlo zastaví. Tato dočasná poloha slouží jako alternativa k dálkovému ovladači.



Obrázek 7

5.2 Ovládací ventil čerpadla modelů PUJ-1200B/E a PUJ-1201B/E

Ovládací ventil čerpadla řídí výstup hydraulické kapaliny do součástí hydraulického systému nebo její návrat z nich. Tyto modely jsou vybaveny trojcestnými dvupolohovými ventily. Polohy ventilu jsou znázorněny na obrázku 8: **(1)** - vysunutí; **(3)** - zasunutí. Vysunutí válce provedte přepnutím ventilu do polohy pro vysunutí **(1)** a stisknutím tlačítka na dálkovém ovladači.

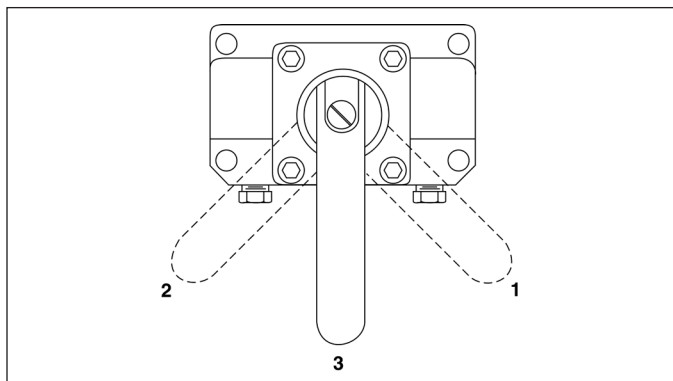
Válec se bude vysouvat, dokud tlačítko neuvolníte.

Zasunutí válce provedte přepnutím ventilu do polohy pro zasunutí **(3)**.

Válec se zasune bez ohledu na to, zda čerpadlo pracuje či nikoli.

Modely PUJ 1400B/E a PUJ-1401B/E (obrázek 8)

Ovládací ventily čerpadel modelů PUJ-1400B/E a PUJ-1401B/E jsou čtyřcestné, třípolohové, pro použití s dvojčinnými válci, kde se vysouvání i zasouvání provádí hydraulicky. Polohy ventilu jsou znázorněny na obrázku 8: 1 - vysunutí; 2 - zasunutí; 3 - neutrální poloha. Ve všech polohách se pohyb válce ovládá tlačítkem na dálkovém ovladači.



Obrázek 8

Modely PUD-1100B/E a PUD-1101B/E

Modely PUD-1100B/E a PUD-1101B/E používají jednočinné válce, u nichž se funkce zadržení nevyžaduje. Stisknutím tlačítka na dálkovém ovladači se spustí motor a vysouvání válce. Jakmile se tlačítko uvolní, válec se zasune.

Modely PUD1300B/E a PUD1301B/E

Modely PUD1300B/E a PUD1301B/E používají jednočinné válce, u nichž funkce zadržení vyžadována není. Stisknutím tlačítka pro vysunutí se spustí čerpadlo a vysouvání válce.

Uvolněním tlačítka pro vysunutí se čerpadlo zastaví a válec drží břemeno prostřednictvím ventilu. Stisknutím tlačítka pro zasunutí se přepne ventil, a umožní zasunutí válce.

POZNÁMKA: Vzhledem k tomu, že se doba do zastavení motoru může v závislosti na podmínkách zatížení lišit, nemusí břemeno ve vysouvání ustát přesně v okamžiku uvolnění tlačítka pro vysunutí. Válec se může v průběhu zastavení motoru o malou vzdálenost posunout.

5.3 Teplotní spínač (všechny modely)

Teplotní spínač kvůli ochraně čerpadla před poškozením vypíná motor při dosažení teploty oleje 65 °C. Jakmile teplota poklesne pod 54 °C, spínač se automaticky resetuje.

5.4 Odvzdušnění

Při prvním zapojení hydraulického systému se v jednotlivých součástech zachytí vzduch. Pro zajištění plynulého a bezpečného provozu provedte odvzdušnění systému provedením několika úplných cyklů bez zatížení válců. Pokud se válce vysunují a zasunují plynule a bez zadržování, je systém odvzdušněný.

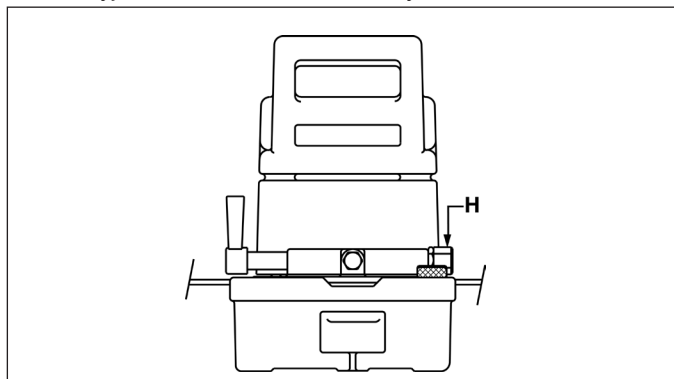


VAROVÁNÍ: Pro zabránění zranění a poškození zařízení nepokračujte v přivádění tlaku do válců, jakmile dosáhnete maximálního zdvihu nebo maximálního provozního tlaku.

6.0 NASTAVENÍ PŘETLAKOVÉHO VENTILU (obrázek 9)

Hlavní přetlakový ventil čerpadla je integrovaný a nelze jej nastavit. Z výroby je nastaven na maximální provozní tlak 700 bar. Pod šestihřanným víčkem na pravé straně čerpadla je umístěn dodatečný vnější přetlakový ventil. Vnější přetlakový ventil lze nastavit na hodnotu od 700 do 140 bar. Provozní tlak lze snížit pod hodnotu 700 bar, avšak nelze zvýšit nad hodnotu 700 bar. (Modely PUJ-1400B/E a PUJ-1401B/E nejsou dodatečnými vnějšími přetlakovými ventily vybaveny.)

1. Manometr namontujte podle pokynů k montáži na straně 83.
2. Na výstupní přípojku ventilu namontujte zátku.
3. Demontujte šestihřanné víčko **(H)**, které kryje stavěcí šroub přetlakového ventilu.
4. Pomocí imbusového klíče otočte stavěcím šroubem proti směru hodinových ručiček o jednu celou otáčku.
5. Zapněte přepínač čerpadla do polohy „ON“ a spusťte motor čerpadla. Sledujte hodnotu tlaku na manometru. Zastavte čerpadlo.
6. Pokračujte v nastavení, dokud nedosáhnete požadovaného tlaku.
7. Nastavení zkontrolujte několikerým spuštěním čerpadla. Je-li hodnota manometru pokaždé stejná, je nastavení ventilu stabilní.
8. Zakryjte stavěcí šroub šestihřanným víčkem.



Obrázek 9

POZNÁMKA: Pro co nejpresnější nastavení přetlakového ventilu začněte nízkým tlakem a pokračujte výše, až k požadovanému tlaku přetlakového ventilu.



VAROVÁNÍ: V rámci prevence poškození zařízení a zranění osob nezkoušejte nastavit tlak, přesahující maximální provozní hodnotu 700 bar.

7.0 ÚDRŽBA

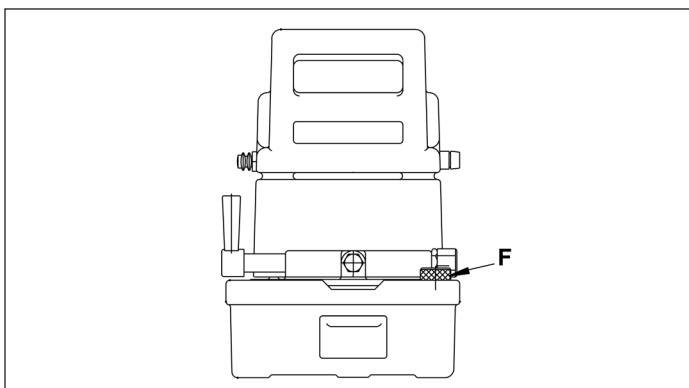
7.1 Kontrola hladiny oleje

Po každých 40 hodinách provozu zkontrolujte hladinu oleje. Podle potřeby doplňte olej, aby hladina dosahovala 1 cm pod plnicí otvor. Používejte pouze hydraulický olej Enerpac. Použití jiných olejů může poškodit systém a povede k zneplatnění záruky společnosti Enerpac.

7.2 Výměna oleje (obrázek 10)

Po každých 100 hodinách provozu zcela vypustte nádrž. Naplňte nádrž novým hydraulickým olejem. Je-li čerpadlo provozováno ve velmi prašném prostředí nebo při vysokých teplotách, provádějte výměnu oleje častěji.

1. Pro vypuštění nádrže odstraňte odvodušňovací/plnicí zátku (**F**), umístěnou v pravém horním rohu nádrže.
2. Nakloňte nádrž, dokud nevyteče veškerý starý olej.
3. Stejným otvorem naplňte nový olej. Objem nádrže je v závislosti na modelu 2,8 l nebo 5,7 l.
4. Osadte plnicí zátku (**F**).



Obrázek 10

7.3 Čištění nádrže

Nádrž čerpadla je možno před čištěním demontovat. Je-li čerpadlo neustále používáno v extrémně prašném prostředí, je třeba nádrž čistit jednou ročně.

1. Nádrž vypustte podle postupu popsaného v krocích 1 a 2 v části „Výměna oleje“.
2. Odstraňte šest šroubů, upevňujících kryt k nádrži. Zvedněte kryt nádrže. Motor je obalen pěnovou výstelkou, která udržuje elektrické vodiče mimo motor. Dbejte na to, abyste nepoškodili nebo nevytáhli konektory vodičů ze svorek.
3. Odstraňte osm šroubů, upevňujících motor k nádrži. Zvedněte čerpadlo z nádrže a odstraňte těsnění.
4. Nádrž pečlivě vyčistěte s použitím vhodného rozpouštědla.
5. S použitím nového těsnění znovu sestavte čerpadlo a nádrž. Nasuňte kryt na motor tak, aby madlo krytu směřovalo na tu stranu čerpadla, kde se nachází ventil. Namontujte šest upevňovacích šroubů a vnitřní/vnější pojistné podložky.

Vyžaduje-li čerpadlo opravy, obraťte se na autorizované servisní středisko společnosti Enerpac.

7.4 Kartáčky motoru

Alespoň jednou za dva roky zkontrolujte kartáčky elektromotoru. U velmi často používaných čerpadel kontrolujte kartáčky nejméně každých šest měsíců.



NEBEZPEČÍ: V rámci prevence úrazu elektrickým proudem musí být čerpadlo před zahájením údržby kartáčků odpojeno od elektrického zdroje.

8.0 ŘEŠENÍ PROBLÉMŮ (viz tabulku)

Tabulka řešení problémů slouží jako pomůcka při diagnostice a odstraňování případných problémů čerpadla.

Řešení problémů a opravy čerpadla smí provádět pouze technický personál, kvalifikovaný v oblasti hydraulických systémů. Pokud potřebujete zařídit opravu, obraťte se na autorizované servisní středisko společnosti Enerpac ve svém okolí.

8.1 Jistič (čerpadla s datovou značkou „F“ a novější)

V případě elektrického přetížení čerpadla dojde k jeho odpojení jističem. Po provedení kontroly a nápravy příčiny přetížení stisknutím tlačítka jističe znovu obvod propojte.

8.2 Pojistky (čerpadla s datovou značkou „F“ a novější)

Vnitřní pojistky chrání primární a sekundární obvod řídicího transformátoru. Dojde-li ke spálení pojistky, zjistěte a odstraňte příčinu. Potom spálenou pojistku vyměňte za novou s odpovídajícími parametry. Parametry pojistek naleznete v seznamu náhradních dílů příslušného modelu čerpadla.



VAROVÁNÍ: Před zahájením výměny pojistek vždy odpojte elektrický zdroj.

Poznámka: U následujících čerpadel se pojistky **nepoužívají**:

- Čerpadla, vyrobená před datovou značkou „F“.
- Modely, které nejsou vybaveny dálkovým ovladačem (všechny datové značky).

9.0 ZKUŠEBNÍ NORMY

9.1 Canadian Standards Association – CSA (Kanadská normalizační asociace)

V uvedených případech splňují sestavy čerpadla konstrukční a zkušební požadavky asociace CSA, Canadian Standards Association (viz CAN/CSA – C22.2 č. 68-92, Motorem poháněné spotřebiče).

9.2 Conformité Européene – CE (Evropská shoda)

V uvedených případech je poskytnuto prohlášení o shodě ES (EC Declaration of Conformity) a označení CE výrobku. Tyto výrobky splňují požadavky evropských norem EN982:1996, EN1050:1998 a EN-ISO-12100-1,2:2003, a směrnic ES 2006/42/EC, 97/23/EC, 2004/108/EC, 2006/95/EC a 97/23/EC.

TABULKA ŘEŠENÍ PROBLÉMŮ

Problém	Možná příčina	Řešení
Čerpadlo se nespustí.	Chybí napájení. Špatné napětí.	Zkontrolujte zdroj napájení. Zkontrolujte parametry napětí na straně 81.
Válec se nevysouvá ani nezasouvá.	Nízká hladina kapaliny. Ucpané vstupní sítko. Ventil v nesprávné poloze. Selhání ventilu.	Doplňte nádrž na správnou hladinu. Vyčistěte nebo vyměňte vstupní sítko. Přepněte ventil do tlakové polohy. Nechte čerpadlo opravit technikem, kvalifikovaným v oblasti hydraulických systémů.
Válec se vysouvá a zasouvá trhaně.	Zavzdušněný systém. Vnější netěsnost systému. Vnitřní hydraulická netěsnost.	Systém odvzdušněte několikaerým otevřením nástroje, a zavřením dokud není pohyb plynulý. Utáhněte netěsné spoje. Vyměňte případné poškozené hadice a přípojky. Nechte čerpadlo opravit technikem, kvalifikovaným v oblasti hydraulických systémů.
Čerpadlo nadržuje tlak.	Vnější hydraulická netěsnost. Vnitřní hydraulická netěsnost.	Utáhněte netěsné spoje. Vyměňte veškeré poškozené hadice a přípojky. Nechte čerpadlo opravit technikem, kvalifikovaným v oblasti hydraulických systémů.
Nízký výstup kapaliny.	Nízká hladina kapaliny. Netěsnost součástí čerpadla. Nesprávná činnost přepouštěcího ventilu. Vstupní sítko na pístových blocích mohou být ucpana nečistotami.	Doplňte nádrž na správnou hladinu. Netěsnosti vyhledejte zkoušením. Nechte čerpadlo opravit technikem, kvalifikovaným v oblasti hydraulických systémů. Zkontrolujte vstupní sítko. Očistěte všechny součásti od nečistot. Případné poškozené součásti vyměňte.

L2062 Rev. I 02/21



KO

1.0 인수 시 중요 확인 사항

모든 구성품을 육안 검사하여 운송 중 손상 유무를 확인하십시오. 운송 중 발생한 손상에 대해서는 보증이 적용되지 **않습니다**. 운송 중 손상이 발견되면, 즉시 운송업체에 알려십시오. 운송 중 발생한 손상에 대해서는 운송업체가 수리 및 교체 비용을 부담합니다.

안전 제일

2.0 안전 문제


  모든 지침, 경고 및 주의 사항을 주의 깊게 읽으십시오. 시스템 작동 중 부상이나 재산 피해를 방지하려면 모든 안전 수칙을 따르십시오. Enerpac은 안전하지 않은 제품 사용, 유지보수 부족 또는 잘못된 제품 및/또는 시스템 작동으로 인한 손상이나 부상에 대해 책임지지 않습니다. 안전 수칙 및 작동에 관한 질문이 있는 경우 Enerpac으로 문의하십시오. 고압 유압 공구 안전에 관한 교육을 받은 적이 없으면 해당 대리점 또는 서비스 센터에 연락하여 Enerpac 유압 공구 안전 강의를 대한 정보를 문의하십시오.


다음 주의사항 및 경고를 준수하지 않을 경우 장비 손상 및 부상을 입을 수 있습니다.


주의(CAUTION)는 장비 또는 기타 재산의 손상 또는 파손을 방지하기 위한 올바른 작동 또는 유지보수 절차 및 실행을 나타냅니다.

경고(WARNING)는 부상을 방지하기 위해 올바른 절차 또는 실행이 필요한 잠재적 위험을 나타냅니다.


위험(DANGER)은 조치 또는 조치 부족으로 인해 심각한 부상이나 사망이 발생할 수 있는 경우에만 사용됩니다.


 **경고:** 유압 장비를 작동할 때는 적절한 개인 보호 장비를 착용하십시오.


 **경고:** 유압기로 지지하는 부하 근처에 접근하지 마십시오. 실린더가 부하 리프팅 장치로 사용되는 경우, 동일 실린더를 부하 고정 장치로 절대 사용해서는 안 됩니다. 부하를 올리거나 내린 후에는 반드시 기계적으로 고정해야 합니다.


 **경고:** 부하를 지지해야 하는 경우 강성 부품만 사용하십시오. 부하를 지지할 수 있는 강철이나 나무 블록은 신중하게 선택하십시오. 유압 실린더를 리프팅이나 프레스링 작업의 끼움쇠나 스페이서로 사용하지 마십시오.





 **위험:** 부상을 예방하려면, 작동 중 실린더와 공작물 근처에 손발이 들어가지 않도록 하십시오.

 **경고:** 장비 정격을 초과하지 마십시오. 실린더의 용량보다 하중이 높은 부하를 들어올리지 마십시오. 과부하 때문에 장비 고장 및 부상이 발생할 수 있습니다. 실린더는 최대 압력 10,000psi[700bar]로 설계되었습니다. 정격 압력이 더 높은 펌프에 잭이나 실린더를 연결하지 마십시오.

 릴리프 밸브를 펌프의 최대 정격 압력보다 더 높은 압력으로 설정하지 **마십시오**. 높게 설정하는 경우 장비 손상 및/또는 부상이 발생할 수 있습니다.

 **경고:** 시스템 작동 압력은 시스템에서 정격이 가장 낮은 구성품의 정격 압력을 초과하지 않아야 합니다. 시스템에 압력 게이지를 설치하여 작동 압력을 모니터링하십시오. 게이지를 통해 시스템 상태를 파악할 수 있습니다.

 **주의:** 유압 호스가 손상되지 않도록 하십시오. 유압 호스의 경로를 지정할 때 심하게 구부리거나 꼬지 마십시오. 호스를 구부리거나 꼬인 채로 사용하면 심각한 역압력이 발생합니다. 갑자기 구부리거나 꼬이는 경우 호스 내부가 손상되어 호스가 빨리 고장납니다.

 **호스에 무거운 물체를 떨어뜨리지 마십시오.** 날카로운 물체로 인해 호스 와이어 가닥 내부가 손상될 수 있습니다. 손상된 호스에 압력을 가하면 호스가 파열될 수 있습니다.

중요: 호스나 스위블 커플러로 유압 장비를 들어 올려서는 안 됩니다. 운반용 핸들이나 다른 안전한 운반 방법을 사용하십시오.

주의: 유압 장비를 화염이나 열 가까이에서 가져가지 마십시오. 과도한 열로 패킹과 씰이 약화되어 유체 누출이 발생합니다. 열로 인해 호스 재질과 패킹이 약해질 수 있습니다. 성능을 최적화하려면, 150°F[65°C] 이상의 온도에 장비를 노출시키지 마십시오. 호스와 실린더를 용접 스파터로부터 보호하십시오.

위험: 압력이 가해진 상태의 호스는 만지지 마십시오. 가압 상태의 오일이 유출되면 피부를 관통하여 심각한 부상을 입힐 수 있습니다. 오일이 피부에 들어간 경우 즉시 의사의 진찰을 받으십시오.

경고: 연결된 시스템의 유압 실린더만 사용하십시오. 커플러가 연결되지 않은 채로 실린더를 사용하지 마십시오. 실린더의 부하가 과도한 경우, 부품의 치명적 고장으로 심각한 부상을 입 수 있습니다.

경고: 부하를 들어올리기 전에 안정적으로 설치되었는지 확인하십시오. 실린더는 부하를 지지할 수 있는 평편한 표면에 놓아야 합니다. 가능한 경우 실린더 베이스를 사용해 안정성을 높이십시오. 실린더를 용접하거나 개조하여 베이스 부분 또는 다른 지지대를 부착하지 마십시오.

! 부하가 실린더 플런저의 중심에서 벗어나지 않도록 하십시오. 부하가 중심을 벗어나면 실린더와 플런저에 상당한 압박을 가합니다. 또한, 부하가 미끄러지거나 떨어져 위험한 결과를 초래할 수 있습니다.



새들(saddle) 곡면 전체에 부하를 고르게 분산시키십시오. 반드시 새들을 사용하여 플런저를 보호하십시오.

중요: 유압 장비는 자격 있는 유압 기술자만이 정비해야 합니다. 수리 서비스를 받으려면, 가까운 Enerpac 공식 서비스 센터에 문의하십시오. ENERPAC 정품 유압유를 사용하지 않을 시 보증이 적용되지 않습니다.



경고: 마모 또는 손상된 부품은 즉시 ENERPAC 정품 부품으로 교체하십시오. 표준 등급 부품이 파손되면 인명의 부상 또는 재산상의 손해가 발생합니다. ENERPAC 부품은 정확하게 체결되며 높은 부하를 견딜 수 있도록 설계되었습니다.



주의: 사양서 및 모터 명판의 정보를 확인하십시오. 잘못된 전원을 사용하면 모터가 손상됩니다.

3.0 사양

	“B” 모델	“E” 모델
작동 압력	0-10,000psi [700bar] {70mPa}	
전력원	15 Amp 120 V. 접지 1Ph. 50/60Hz	10 Amp 220 V. 1Ph. 50/60Hz
모터 정격	모터 정격 1/2 HP 범용, 9 Amps @ 10,000psi [700bar] & 12,000 RPM 60-125 V 85-89 dBA에서 작동	.37kW 범용, 4 Amps @ 10,000psi [700bar] {70mPa} & 12,000 RPM 85-89 dBA
유량	200 in. ³ /min. [3.3 l/min] @ 0-200 psi [0-14 bar] {0-1.4mPa} 20 in. ³ /min. [0.33 l/min] @ 10,000 psi [700 bar] {70mPa}	
최대 작동 온도	150°F [65°C]	

모델 번호	실린더 방식	밸브 유형	사용 오일 용량	중량
PUD-1100B/E	단동식	덤프 밸브	122 in. ³	31 lbs.
PUD-1101B/E			231 in. ³	43 lbs.
PUD-1300B/E	단동식	덤프/홀드	122 in. ³	31 lbs.
PUD-1301B/E			122 in. ³	43 lbs.
PUJ-1200B/E	단동식	3방향, 2위치	122 in. ³	27 lbs.
PUJ-1201B/E			231 in. ³	39 lbs.
PUJ-1400B/E	복동식	4방향, 3위치	122 in. ³	32 lbs.
PUJ-1401B/E			231 in. ³	44 lbs.

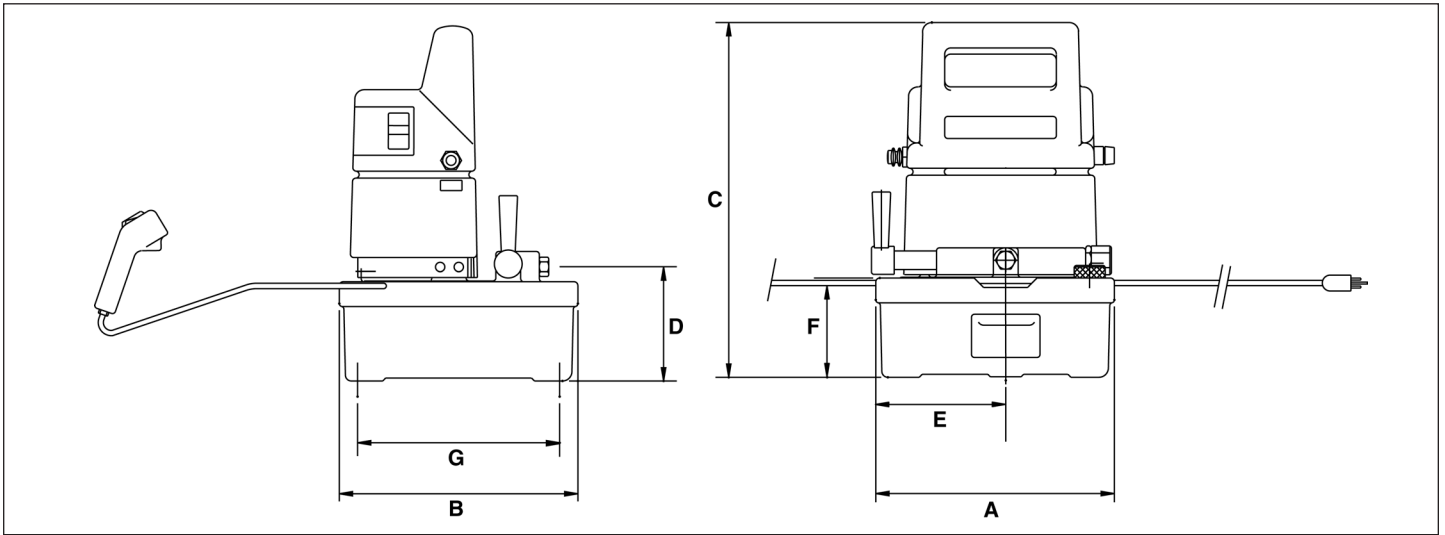


그림 1

Models	치수 in. [cm]							
	A	B	C	D	E	F	G	H
PUD-1100B/E, PUD-1300B/E, PUJ-1200B/E, PUJ-1400B/E	9.62 [24.43]	9.62 [24.43]	14.25 [36.20]	4.72 [11.99]	5.25 [13.34]	4.00 [10.16]	8.12 [20.62]	0.75 [1.90]
PUD-1101B/E, PUD-1301B/E, PUJ-1201B/E, PUJ-1401B/E	12.18 [30.94]	14.50 [36.83]	14.72 [10.54]	5.12 [13.00]	5.62 [14.27]	4.15 [10.54]	12.77 [32.43]	0.62 [1.57]

PUJ-1400B/E의 “D” 치수는 6.18 in. [15.7cm]이며, PUJ-1401B/E의 “D” 치수는 6.58 in. [16.7cm]입니다.

4.0 설치

4.1 유압 연결

전체 나사산에 테플론 테이프(또는 적절한 나사산 씰런트)를 한바퀴 반 감되, 테이프가 유압 시스템으로 들어가 손상을 초래하지 않도록 첫 번째 나사산에는 테이프를 붙이지 않습니다. 느슨한 끝부분은 잘라 냅니다.



경고: 올바른 작동을 위해서는 호스를 꼬거나 심하게 구부리지 마십시오. 호스가 구부러지거나 손상된 경우에는 교체해야 합니다. 손상된 호스는 고압 상태에서 파열되어 부상을 초래할 수 있습니다.

PUJ-1200B/E, PUJ-1201B/E 모델(그림 2)

1. 컨트롤 밸브 상단의 1/4 “-18 NPTF 게이지 포트(A)에서 운송용 플러그를 제거합니다.
2. 게이지 포트(A)에 0-15,000psi[1035bar] 압력 게이지를 설치합니다.
3. 필요한 경우 3/8“-18 NPTF 밸브 배출구 포트(B)에 유압 호스를 끼웁니다.
4. 탱크 반환 포트(C)에 호스를 끼워 반환 라인을 연결합니다.

PUJ-1400B/E, PUJ-1401B/E 모델(그림 3)

1. 밸브 전진 포트(D)에서 운송용 플러그를 제거합니다. 3/8“-18 NPTF 전진 포트(D)에 게이지 어댑터를 설치합니다.
2. 게이지 어댑터 상단 포트에 15,000psi[1035bar] 압력게이지를 설치합니다.
3. 게이지 출력 어댑터 끝 포트(3/8“-18 NPTF)에 유압 호스를 설치합니다. 호스 하프 커플러를 실린더 전진 하프 커플러에 연결합니다. 커플러 칼라를 손으로 단단히 조입니다. 하프 커플러를 조일 때 공구를 사용하지 마십시오.
4. 복동식(double-acting) 회로를 사용하는 경우, 컨트롤 밸브의 후진 포트(E)에 호스를 설치하십시오. 호스 하프 커플러를 실린더 후진 하프 커플러에 연결합니다.

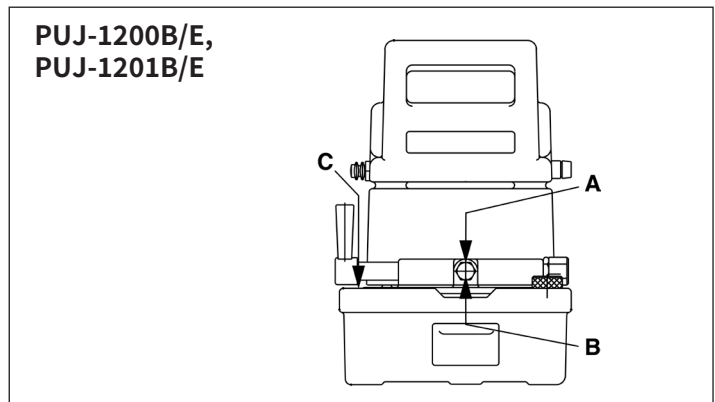


그림 2

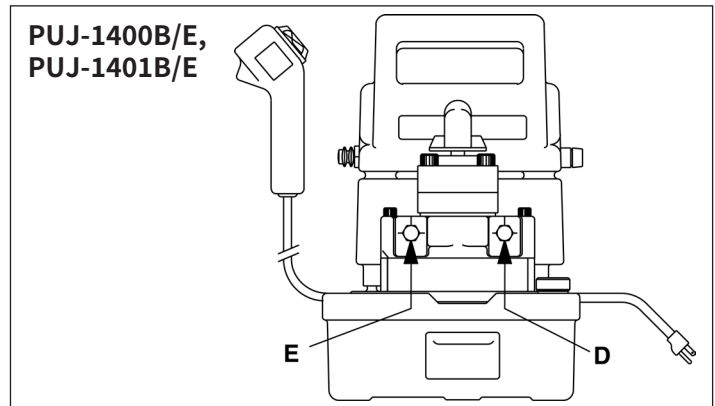


그림 3

PUD1100B/E, PUD-1101B/E, PUD1300B/E, PUD1301B/E 모델

1. 펌프-실린더 호스는 컨트롤 밸브의 출력 포트 (A)에 직접 연결합니다 (그림 4 참조).
2. 시스템 압력을 모니터링하기 위해 게이지가 필요한 경우, 밸브 배출구 포트(A)에 게이지 어댑터를 설치해야 합니다. 게이지 어댑터의 게이지 포트에 0-10,000psi[700bar] 압력 게이지를 설치합니다.

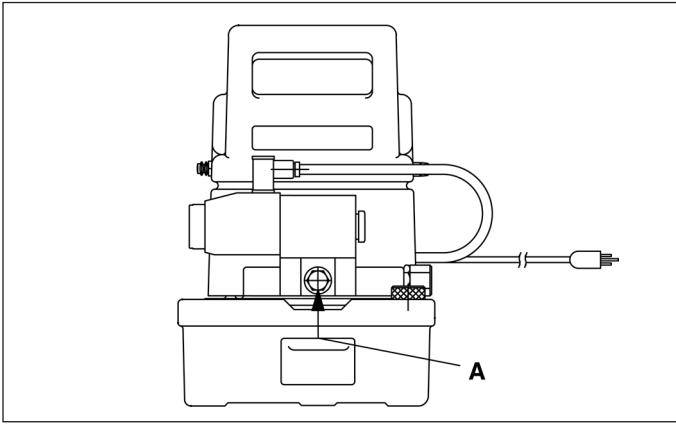


그림 4

4.2 밸브 설치(그림 5)

1. 플레이트(No. 1, D43918098)를 분리합니다.
2. 펌프에 커넥터(2)가 설치되어 있는지 확인합니다. 설치되지 않은 경우, 씰이 손상되지 않도록 주의하여 커넥터를 설치하십시오.

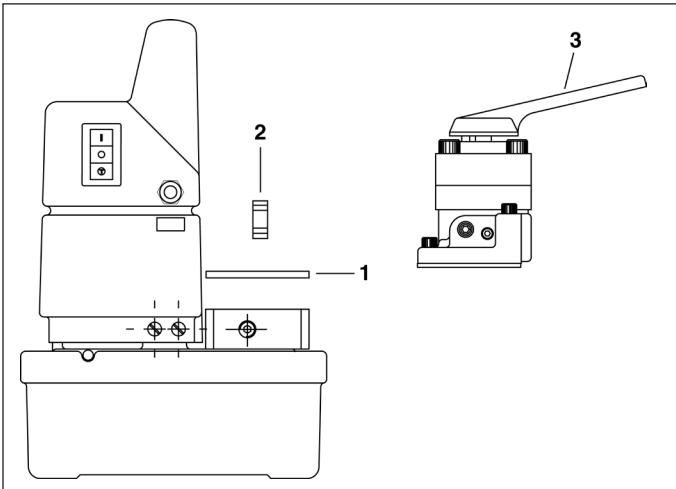


그림 5

3. 씰이 손상되지 않도록 주의하여 밸브(3)를 장착하십시오.

4.3 오일 보충(그림 6)

배기/주유 플러그(F)를 풀어서 분리하고 오일 레벨을 확인합니다. 오일 레벨이 배기/주유구 아래 1cm[1/2인치]가 될 때까지 Enerpac 유압 오일을 보충합니다.

중요: 모든 시스템 구성 요소가 완전히 제자리로 돌아간 상태에서만 오일을 보충하십시오. 그렇지 않으면 탱크 용량보다 많은 오일이 시스템에 주유됩니다.

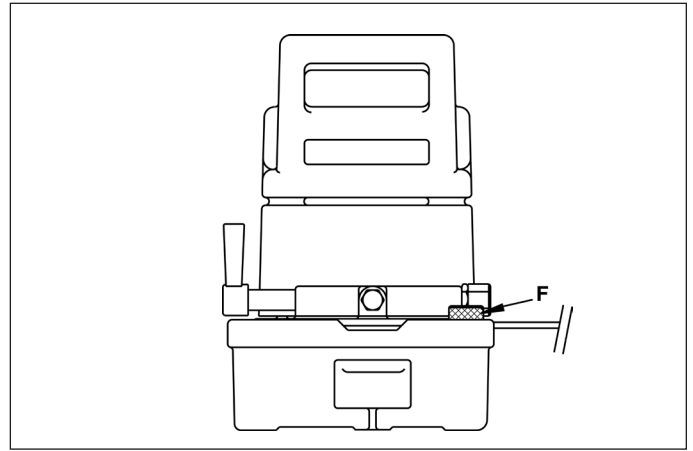


그림 6

5.0 작동

참고: 전기 콘센트와 펌프 모터 사이의 전력 손실을 방지하려면 가능한 가장 짧은 연장 코드를 사용하십시오. 저전압인 경우 펌프 모터가 작동은 하지만 모터 속도와 오일 유속이 감소합니다.

1. 모든 시스템 부속품과 연결이 단단히 고정되어 있고 누출되는 곳이 없는지 확인합니다.
2. 유체 레벨을 확인하고 부족한 경우 보충하십시오.
3. 탱크의 전면 오른쪽 모서리에 있는 펌프 배기 플러그(F)를 1~2 바퀴 돌려서 엽니다.



주의: 펌프가 작동할 때는 반드시 배기 플러그가 열려 있어야 합니다.

5.1 스위치 작동(그림 7)

“B” 버전에는 15amp, 120V 접지 1Ph. 회로가 필요합니다. “E” 버전에는 220V 1Ph.가 필요합니다. 펌프 전원 코드의 길이는 1 1/2 미터[5 ft.]입니다.

1. 펌프 스위치는 슈라우드 측면에 있습니다. 3단 스위치이며, 상단은 “ON”, 중간은 “OFF”, 하단은 일시적 “MOM”입니다. 상단 “ON”을 누르면 전기 회로가 활성화되지만 펌프 모터는 켜지지 않습니다. 펌프 모터는 펜던트 스위치(G)로 활성화시킵니다.
2. 스위치의 아래쪽 부분을 누르면, 누르고 있는 동안 펌프 모터가 작동합니다. 스위치를 놓으면 펌프가 중지합니다. 이 일시적 스위치 기능은 펜던트 컨트롤 대신 사용됩니다.

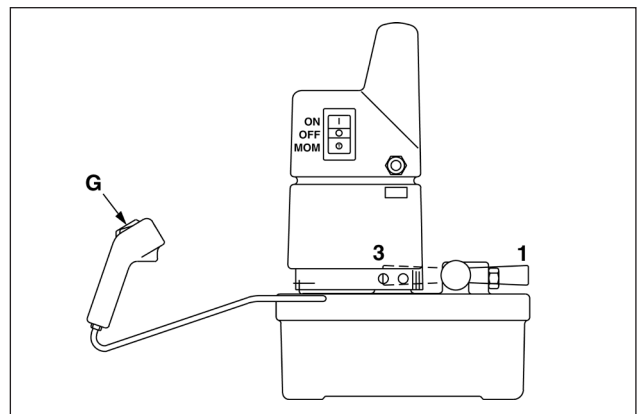


그림 7

5.2 펌프 컨트롤 밸브 PUJ-1200B/E 및 PUJ-1201B/E 모델

펌프 컨트롤 밸브는 유압 유체의 배출 또는 유압 시스템 구성 요소로부터의 회수를 제어합니다. 이 모델은 3방향 2위치 밸브가 있습니다. 밸브 위치는 그림 8에 나와 있습니다. (1)-전진; (3)-후진. 실린더를 전진시키려면 밸브를 전진 위치(1)로 옮기고 펜던트 스위치를 누릅니다.

펜던트 스위치를 놓을 때까지 실린더가 전진합니다.

실린더를 후진시키려면 밸브를 후진 위치(3)로 옮깁니다.

펌프 작동 여부에 관계없이 실린더가 후진합니다.

PUJ 1400B/E 및 PUJ-1401B/E 모델(그림 8)

PUJ-1400B/E 및 PUJ-1401B/E 펌프의 컨트롤 밸브는 4방향 3 위치이며, 전진 및 후진을 유압으로 작동하는 복동식 실린더와 함께 사용됩니다. 밸브 위치는 그림 8에 나와 있습니다. 1-전진; 2- 후진; 3- 중립. 각 위치에서, 실린더 이동은 펜던트 스위치로 제어합니다.

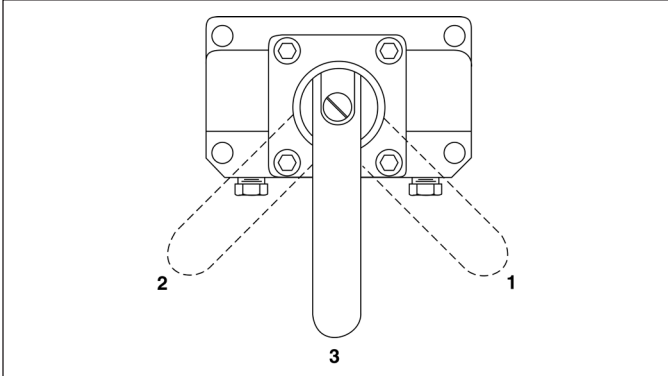


그림 8

PUD-1100B/E 및 PUD-1101B/E 모델

PUD-1100B/E 및 PUD-1101B/E는 홀드 기능이 필요하지 않은 단동식 실린더로 작동합니다. 펜던트 스위치를 누르면 모터가 시작되고 실린더가 전진합니다. 스위치를 놓으면 실린더가 후진합니다.

PUD1300B/E 및 PUD1301B/E 모델

PUD1300B/E 및 PUD1301B/E는 홀드 기능이 필요한 단동식 실린더로 작동합니다. 전진 버튼을 누르면 펌프가 작동하고 실린더가 전진합니다.

전진 버튼을 놓으면 펌프가 중지하고 실린더는 밸브로 부하를 유지합니다. 후진 버튼을 누르면 밸브가 이동하여 부하가 후진합니다.

참고: 부하 조건에 따라 모터가 정지하는 시간이 다를 수 있으므로, 전진 버튼을 해제한 시간에 정확하게 부하가 전진을 멈추지 않을 수 있습니다. 모터가 정지해 있는 동안 실린더가 조금씩 움직일 수 있습니다.

5.3 열 스위치(모든 모델)

펌프의 손상을 방지하기 위해 오일 온도가 65°C[150°F]에 도달하면 내부 열 스위치가 모터를 차단합니다. 온도가 54°C[130°F]로 떨어지면 스위치가 자동으로 초기화됩니다.

5.4 공기 제거

유압 시스템을 처음에 연결하면, 구성품에 공기가 갇히게 됩니다. 부드럽고 안전한 작동을 위해서는, 실린더에 부하를 가하지 않은 상태로 시스템의 전체 사이클을 여러 차례 수행하여 공기를 제거합니다. 실린더가 원활하게 전진하고 후진하면, 공기가 시스템에서 배출된 것입니다.



경고: 부상 및 장비 손상을 방지하기 위해, 실린더가 최대 이동 거리 또는 최대 작동 압력에 도달한 후에 더 이상 가압하지 마십시오.

6.0 릴리프 밸브 조절(그림 9)

주 펌프 릴리프 밸브는 내부 릴리프 밸브로, 비조절식이며 공장 출하시 최대 작동 압력 10,000psi[700bar]로 설정되어 있습니다. 추가 외부 릴리프 밸브는 펌프 오른쪽의 육각 캡 아래에 있습니다. 외부 릴리프 밸브는 10,000psi[700bar]에서 2000psi[140bar]까지 조절할 수 있습니다. 작동 압력 한계는 10,000psi[700bar] 미만으로 줄일 수 있으나, 10,000psi[700bar]를 초과해서는 안 됩니다. (PUJ-1400B/E 및 PUJ-1401B/E 모델은 외부 조절식 릴리프 밸브가 장착되어 있지 않습니다.)

1. 90페이지의 설치 설명에 따라 게이지를 설치합니다.
2. 밸브 배출구 포트에 플러그를 설치합니다.
3. 릴리프 밸브 조절 나사에 덮인 육각 캡(H)을 제거합니다.
4. 육각 렌치를 사용해 조절 나사를 시계 반대 방향으로 한 바퀴 완전히 돌립니다.
5. 펌프를 "ON"으로 켜고 게이지 수치가 최대 압력에 도달할 때까지 펌프 모터를 가동합니다. 펌프를 중지합니다.
6. 원하는 압력에 도달할 때까지 설정을 계속 조정합니다.
7. 펌프를 여러 차례 가동하면서 설정을 확인합니다. 가동할 때마다 게이지 값이 동일하면 밸브 설정이 안정적인 것입니다.
8. 육각 캡을 다시 조절 나사에 씌웁니다.

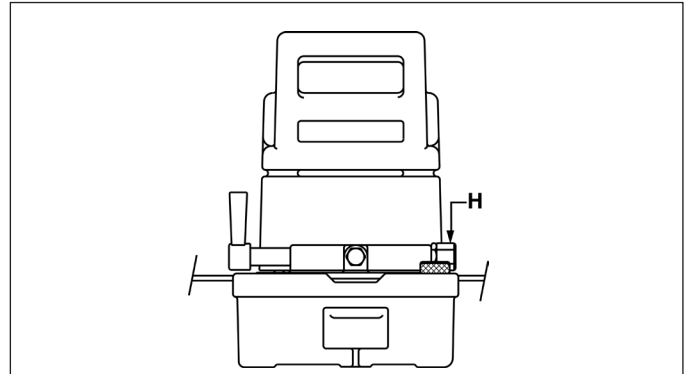


그림 9

참고: 릴리프 밸브를 가장 정확하게 설정하기 위해서는, 낮은 압력에서 시작해 원하는 릴리프 밸브 설정까지 올리면서 조절합니다.



경고 장비 손상 및 부상을 방지하려면 최대 작동 압력 10,000psi[700bar]를 초과하지 않도록 하십시오.

7.0 유지보수

7.1 오일 잔량 확인

가동 시간 40시간마다 탱크 유압 오일 레벨을 확인합니다. 필요한 경우 레벨이 주유구 아래 1/2"[1cm]까지 오도록 오일을 보충합니다. Enerpac 유압 오일만 사용합니다. 타사 오일이나 유체를 사용할 경우 시스템이 손상될 수 있으며 Enerpac 보증을 받을 수 없습니다.

7.2 오일 교환(그림 10)

100시간 가동 후에는 탱크를 완전히 비우십시오. 새 유압 오일을 보충하십시오. 먼지가 많은 지역이나 고온에서 펌프를 작동하는 경우 오일을 더 자주 교환해야 합니다.

1. 탱크를 비우려면 탱크 오른쪽 상단 모서리에서 배기/주유 플러그(F)를 뽑습니다.
2. 펌프를 기울여 폐오일을 모두 배출시킵니다.
3. 같은 주유구를 통해 새 오일을 보충합니다. 탱크 용량은 모델에 따라 2.8리터[0.75gal] 또는 5.7리터[1.5gal]입니다.
4. 주유 플러그(F)를 다시 끼웁니다.

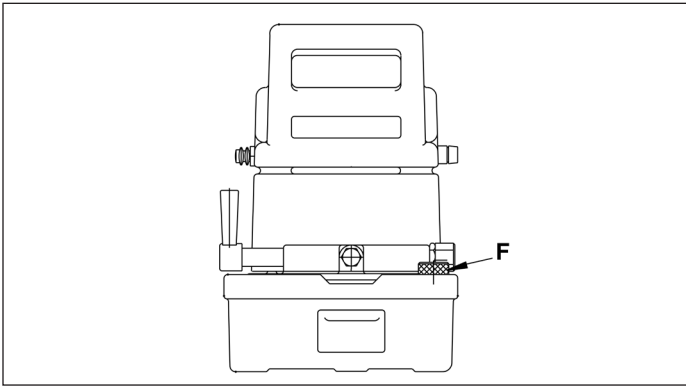


그림 10

7.3 탱크 청소

펌프 탱크는 분해해서 청소할 수 있습니다. 먼지가 많은 환경에서 펌프를 지속적으로 사용하는 경우 탱크를 연 1회 청소해야 합니다.

1. “오일 교환”의 1단계와 2단계 설명에 따라 탱크를 비웁니다.
2. 탱크에 슈라우드를 고정하는 나사 6개를 풉니다. 탱크에서 슈라우드를 분리합니다. 모터 돌레에 쿠션이 둘러싸고 있어 전선이 모터와 접촉하지 않도록 합니다. 단말기에 연결된 전선을 뽑거나 손상되지 않도록 주의하십시오.
3. 탱크에 펌프를 고정하는 나사 8개를 풉니다. 탱크에서 펌프를 들어올리고 개스킷을 분리합니다.
4. 적절한 솔벤트로 탱크를 깨끗하게 청소합니다.
5. 새 개스킷을 설치하여 펌프와 탱크를 다시 조립합니다. 슈라우드 핸들이 펌프의 밸브 쪽을 향하게 하여 슈라우드를 모터 위에 놓습니다. 설치 나사 6개와 내부/외부 잠금 와셔를 설치합니다.

펌프를 수리해야 하는 경우 현지 Enerpac 공식 서비스 센터에 문의하십시오.

7.4 모터 브러시

전기 모터 브러시는 2년에 한 번 이상 점검합니다. 사용량이 많은 펌프는 최소한 6개월에 한 번 브러시를 점검하십시오.



위험: 감전을 예방하기 위해, 브러시 서비스를 받기 전에 펌프에서 전원을 완전히 차단해야 합니다.

8.0 문제 해결(차트 참조)

문제 해결 차트는 가능한 다양한 펌프 문제를 진단하고 해결하는 데 도움이 되는 가이드를 제공합니다.

자격 있는 유압 기술자만이 펌프의 문제 해결과 수리를 수행해야 합니다. 수리 서비스를 받으려면, 가까운 Enerpac 공식 서비스 센터에 문의하십시오.

8.1 회로 차단기(날짜 코드 “F” 이후의 펌프)

전기 과부하가 발생하면 펌프 회로 차단기가 트립됩니다. 과부하의 원인을 조사하고 해결한 다음 회로 차단기 버튼을 눌러 초기화합니다.

8.2 퓨즈(날짜 코드 “F” 이후의 펌프)

내부 퓨즈는 제어 변압기의 기본 회로와 보조 회로를 보호합니다. 퓨즈가 끊어지면 고장의 원인을 조사하고 해결하십시오. 그런 다음 끊어진 퓨즈를 올바른 정격의 새 퓨즈로 교체합니다. 퓨즈 정격은 펌프 모델의 수리 부품표를 참조하십시오.



경고: 퓨즈를 교체하기 전 반드시 전원을 차단하십시오.

참고: 다음 펌프에는 퓨즈가 사용되지 않습니다.

- 날짜 코드 “F” 이전에 제작된 펌프
- 펜던트가 장착되지 않은 모델(모든 날짜 코드).

9.0 시험 표준

9.1 캐나다 표준 협회(CSA)

명시된 경우, 펌프 어셈블리는 CSA(Canada Standard Association)의 설계 어셈블리 및 시험 요구사항을 충족합니다(CAN/CSA - C22.2 No. 68-92, 모터 구동 기기 참조).

9.2 CE(Conformité Européene)

명시된 경우, 제품의 EC 적합성 선언서 및 CE 마킹을 제공합니다. 이러한 제품은 유럽 표준 EN982:1996, EN1050:1998 및 EN-ISO-12100-1&2:2003 및 EC 지침 2006/42/EC, 97/23/EC, 2004/108/EC, 2006/95/EC 및 97/23/EC를 준수합니다.

문제 해결 차트

문제	가능한 원인	해결방법
펌프가 작동하지 않습니다.	전원이 공급되지 않습니다. 전압이 잘못되었습니다.	전원을 확인하십시오. 88페이지의 전압 사양을 확인하십시오.
실린더가 전진 또는 후진하지 않습니다.	오일 레벨이 낮습니다. 흡입구 스크린이 막혔습니다. 밸브의 위치가 잘못되었습니다. 밸브가 고장났습니다.	적절한 레벨까지 탱크를 보충하십시오. 흡입구 스크린을 청소하거나 교체하십시오. 밸브를 압력 위치로 이동하십시오. 자격 있는 유압 기술자에게 펌프 수리를 받으십시오.
실린더가 비정상적으로 전진 및 후진합니다.	시스템 내부의 공기. 시스템의 외부 누출. 내부 유압 누출.	원활하게 작동할 때까지 공구를 열었다가 닫아 시스템에서 공기를 제거하십시오. 누출 연결부를 조십시오. 손상된 호스와 피팅이 있으면 교체하십시오. 자격 있는 유압 기술자에게 펌프 수리를 받으십시오.
펌프가 압력을 유지하지 못합니다.	외부 유압 누출. 내부 유압 누출.	누출 연결부를 조십시오. 손상된 호스나 피팅이 있으면 교체하십시오. 자격 있는 유압 기술자에게 펌프 수리를 받으십시오.
유량이 적습니다.	오일 레벨이 낮습니다. 펌프 구성 부품이 새고 있습니다. 바이패스 밸브 오작동. 피스톤 블록의 오일 흡입구 스크린이 이물질로 막혔을 수 있습니다.	적절한 레벨까지 탱크를 보충하십시오. 테스트를 실시하여 누출부를 막으십시오. 자격 있는 유압 기술자에게 펌프 수리를 받으십시오. 흡입구 스크린을 점검하십시오. 모든 오염 물질을 씻어 내십시오. 손상된 구성품을 교체하십시오.

ENERPAC 

www.enerpac.com