

| Document Number | Document Revision | Document Revision Date | Product Date Code Beginning With |
|-----------------|-------------------|------------------------|----------------------------------|
| L4181 | A | 07/2017 | A |

NOTICE:

To ensure optimum performance of the repaired product, Enerpac recommends the installation of ALL parts included in a service assembly or repair kit.

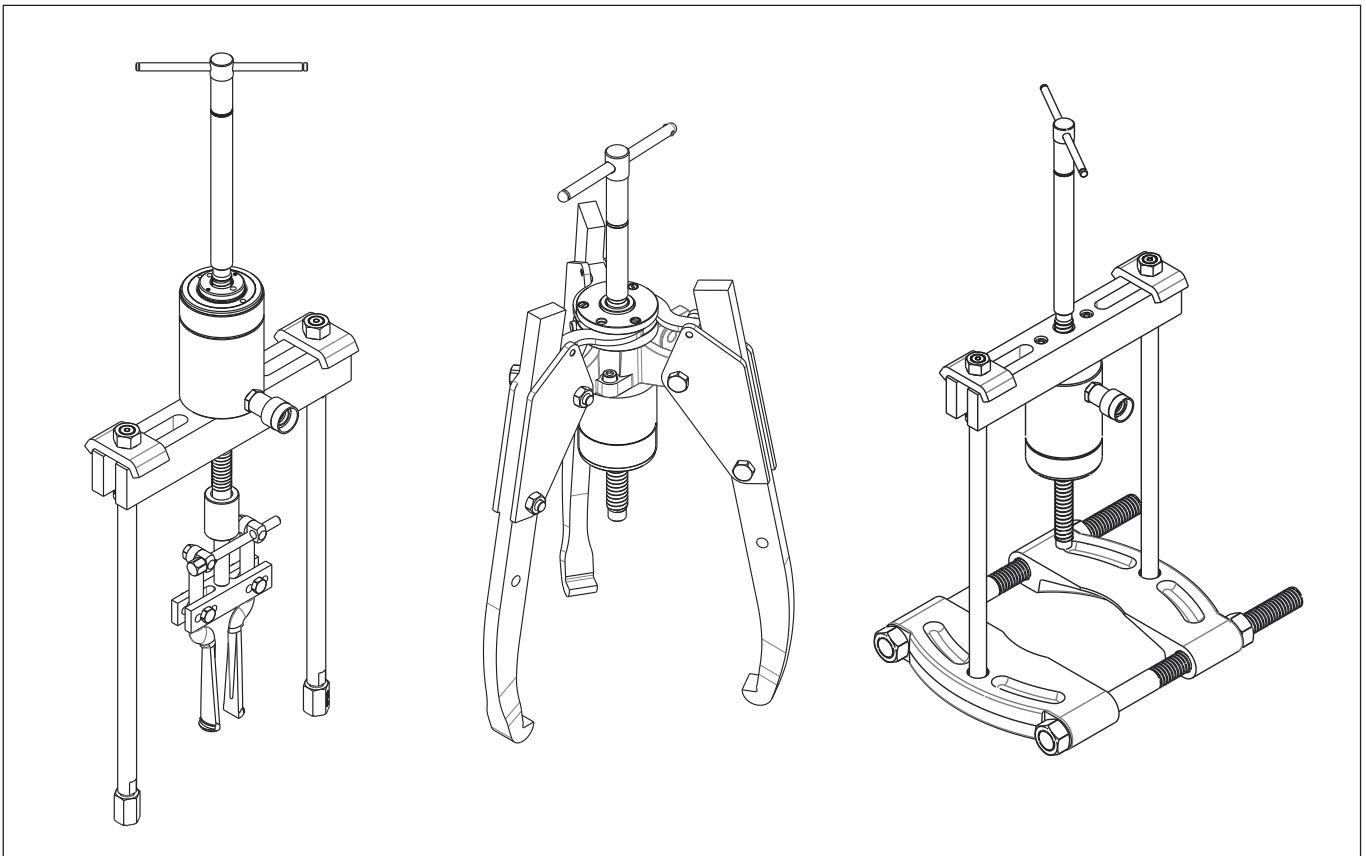


Table of Contents:

| | Page |
|--|-------------|
| Figure 1 - Sync-Grip Puller - SGH14. | 2 |
| Figure 2 - Sync-Grip Puller - SGH24, SGH36 and SGH64. | 2 |
| Figure 3 - MPS Maintenance Set (Bearing Race Puller) | 3 |
| Figure 4 - MPS Maintenance Set (Cross Bearing Puller & Bearing Separator Attachment) | 3 |
| Figure 5 - Legs | 4 |

⚠ WARNING Be certain that hydraulic pressure is completely relieved (0 psi/bar) and that load has been removed from tool before beginning any adjustment, maintenance or repair procedures. Appropriate shop safety procedures are to be followed during disassembly and reassembly to minimize any possibility of injury.

Figure 1 - Sync-Grip Puller SGH14

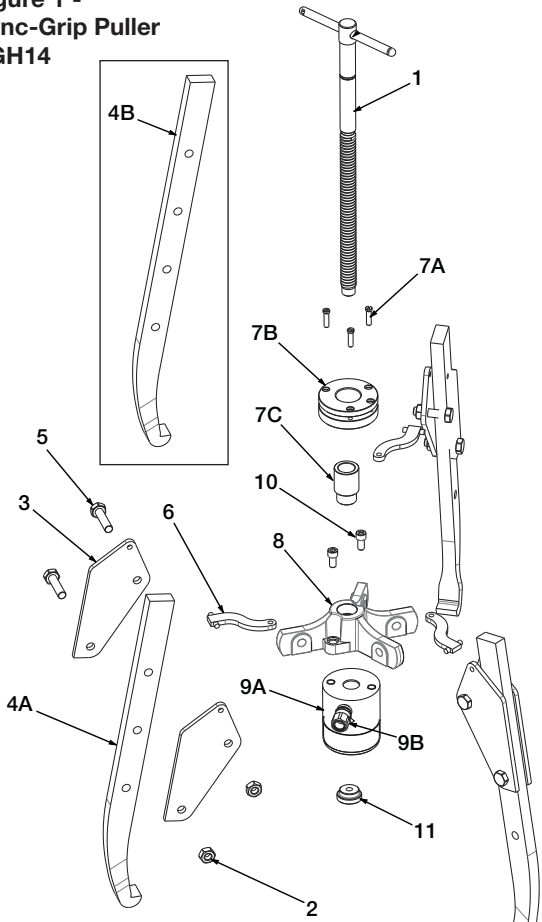
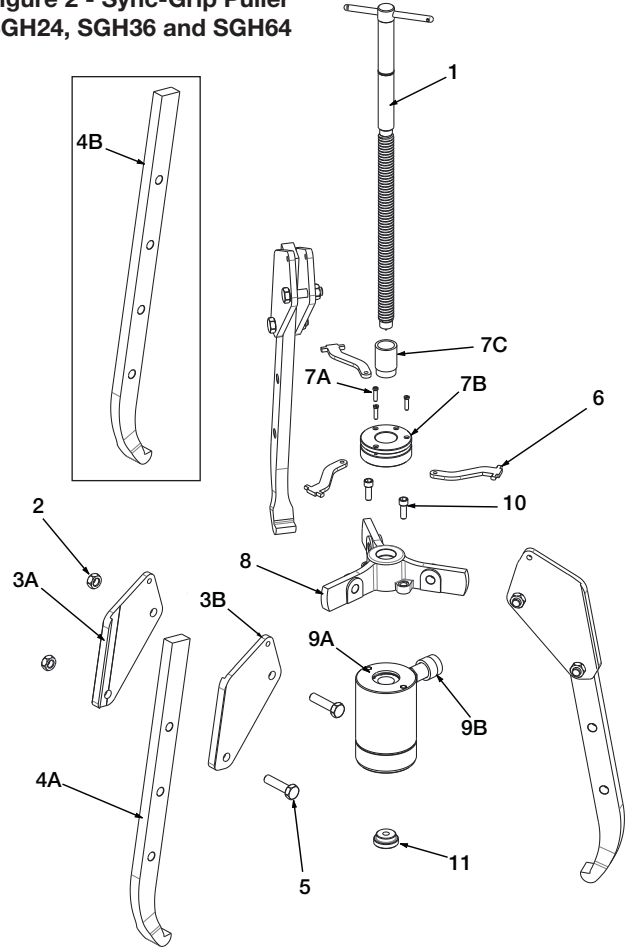


Figure 2 - Sync-Grip Puller SGH24, SGH36 and SGH64



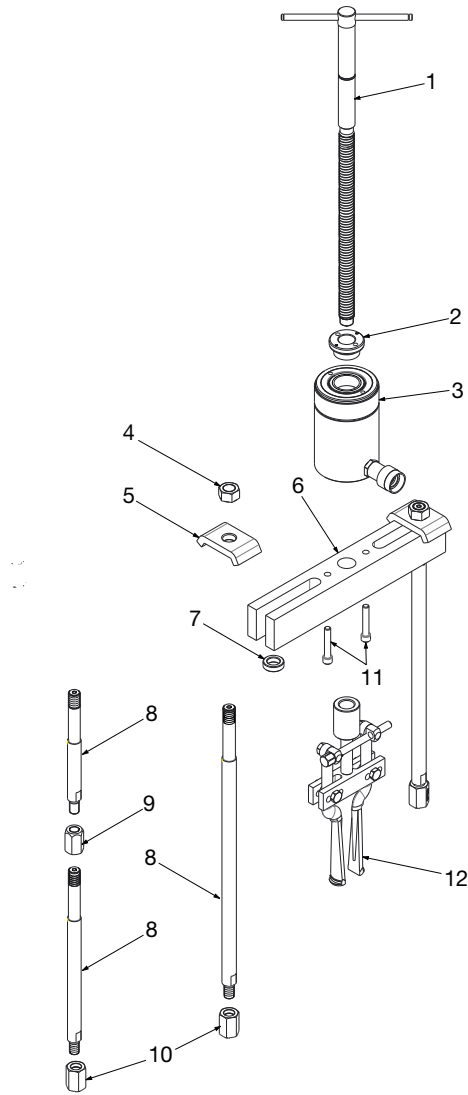
Repair Parts List for Figures 1 and 2

| Item | Puller Model/Part Number | | | | Qty. | Description |
|------|--------------------------|----------|----------|----------|------|---|
| | SGH14 | SGH24 | SGH36 | SGH64 | | |
| 1 | SGH1001 | SGH2001 | SGH3001 | SGH6001 | 1 | Adjusting Rod (spindle) |
| 2 | ★SGH1004 | ◆SGH2004 | +SGH3004 | *SGH6004 | 6 | Nut |
| 3 | ⊕ | * | * | * | 6 | Plate (interchangeable left or right-hand) |
| 3A | * | ⊗ | ⊖ | ⊗ | 3 | Plate (left-hand) |
| 3B | * | ⊗ | ⊖ | ⊗ | 3 | Plate (right-hand) |
| 4A | SG1008 | SG2008 | SG3008 | SG6008 | 1 | Jaw, Standard Length (1 jaw) |
| | SG1003K | SG2003K | SG3003K | SG6003K | 3 | Jaw, Standard Length (accessory kit - 3 jaws) |
| 4B | SG1009 | SG2009 | SG3009 | SG6009 | 1 | Jaw, Extended Reach (1 jaw) |
| | SG1002K | SG2002K | SG3002K | SG6002K | 3 | Jaw, Extended Reach (accessory kit - 3 jaws) |
| 5 | ★ | ◆ | + | * | 6 | Capscrew |
| 6 | ⊕ | ⊗ | ⊖ | ⊗ | 3 | Strap |
| 7A | ★ | ◆ | + | * | 3 | Screw, Self-Centering |
| 7B | ⊗ | ⊗ | ⊗ | ⊗ | 1 | Assembly, Self-Centering Ring |
| 7C | ⊗ | ⊗ | ⊗ | ⊗ | 1 | Bushing, Self-Centering |
| 8 | ⊗ | ⊗ | ⊗ | ⊗ | 1 | Body |
| 9A | RWH121 | RCH202 | RCH302 | RCH603 | 1 | Hydraulic Cylinder |
| 9B | ▼AR630 | ⚡CR400 | ⚡CR400 | ⚡CR400 | 1 | Hydraulic Coupler |
| 10 | HP1120 | HP2113 | HP2013 | HP5013 | 2 | Kit, Mounting Screw (short) |
| 11 | SGH1004 | SGH2004 | SGH3004 | SGH6004 | 1 | Point Protector |

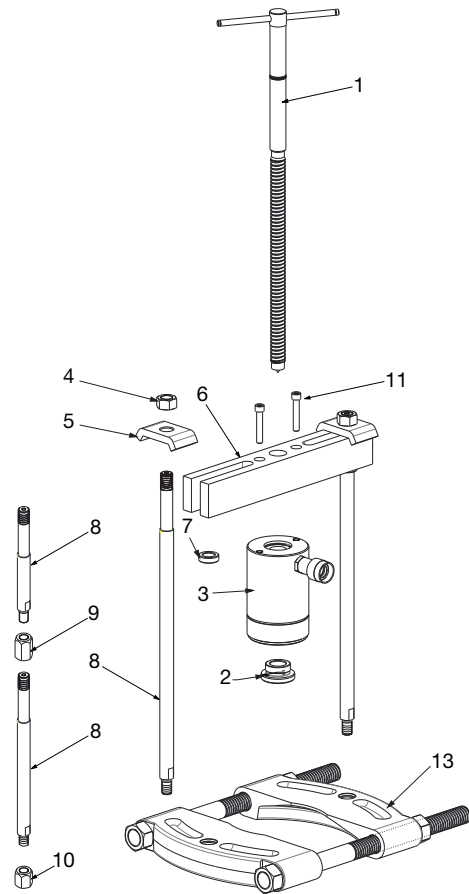
Notes:

- ★ Included in Hardware Kit SG1006K.
- ◆ Included in Hardware Kit SG2006K.
- + Included in Hardware Kit SG3006K.
- * Included in Hardware Kit SG6006K.
- ⊕ Included in Strap Kit SG1007K.
- ⊗ Included in Strap Kit SG2007K.
- ⊖ Included in Strap Kit SG3007K.
- ⊗ Included in Strap Kit SG6007K.
- ▼ Not Included with item 9A (order separately).
- ⚡ Included with item 9A.
- ⊗ Item not available as replacement part.
- * Item not used on this puller model.

**Figure 3 - MPS Maintenance Set
(Bearing Race Puller)**



**Figure 4 - MPS Maintenance Set
(Cross Bearing Puller and Bearing
Separator Attachment)**



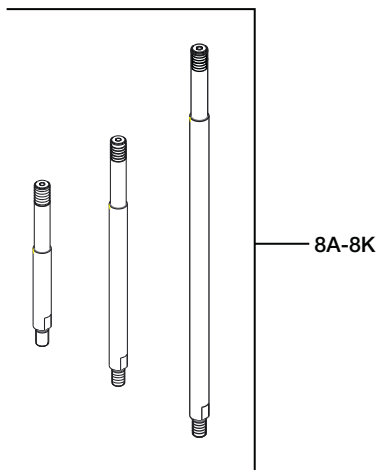
Repair Parts List for Figures 3 and 4

| Item | Master Puller Set Model/Part Number | | | | Qty. | | Description |
|------|-------------------------------------|--------------|--------------|--------------|--------|--------|------------------------------|
| | MPS14 | MPS24 | MPS36 | MPS64 | Fig. 3 | Fig. 4 | |
| 1 | SGH1001 | SGH2001 | SGH3001 | SGH6001 | 1 | 1 | Adjusting Rod (spindle) |
| 2 | * | HP2015 | HP3015 | HP5016 | 1 | 1 | Threaded Saddle |
| 3 | (See Fig. 1) | (See Fig. 2) | (See Fig. 2) | (See Fig. 2) | 1 | 1 | Hydraulic Cylinder |
| 4 | HP2001 | HP2001 | HP3031 | HP5001 | 2 | 2 | Kit, Leg Nut |
| 5 | HP1105 | HP2105 | HP3135 | HP5102 | 2 | 2 | Slide Plate |
| 6 | HP1103 | HP2103 | HP3104 | HP5103 | 1 | 1 | Slotted Crosshead |
| 7 | HP1102 | HP2002 | HP3032 | * | 2 | 2 | Leg Washer |
| 8 | (See Fig. 5) | (See Fig. 5) | (See Fig. 5) | (See Fig. 5) | 1 | 1 | Leg |
| 9 | HP2031 | HP2031 | HP3041 | * | 4 | 4 | Kit, Leg Reducer |
| 10 | HP2009 | HP2009 | HP3039 | * | 2 | 2 | Kit, Leg End |
| 11 | HP1120 | HP2113 | HP2013 | HP5013 | 2 | 2 | Kit, Mounting Screw (short) |
| | HP1213 | HP2213 | HP3113 | HP5113 | 2 | 2 | Kit, Mounting Screw (long) |
| 12 | BHP180 | BHP280 | BHP380 | BHP580 | 1 | - | Internal Bearing Race Puller |
| 13 | BHP181 | BHP282 | BHP382 | BHP582 | - | 1 | Bearing Separator Attachment |

Notes:

* Item not used on this master puller set model.

Figure 5 - Legs
(For use with components
shown in Fig. 3 and 4)



| Repair Parts List for Figure 5 | | | | |
|--------------------------------|-----------------|------------|-------|-----------------------------------|
| Item | Leg Part Number | Leg Length | | Used on Master Puller Set Models: |
| | | inch | mm | |
| 8A | HP1136 | 4.2 | 106 | MPS14, BHP162, BHP1752, BHP1772 |
| 8B | HP1137 | 14.1 | 357 | |
| 8C | HP2006 | 9.4 | 240 | MPS24, BHP261G, BHP2751G, BHP262 |
| 8D | HP2007 | 16.5 | 420 | |
| 8E | HP2008 | 22.4 | 570 | |
| 8F | HP2012 | 4.5 | 115 | MPS36, BHP361G, BHP3751G, BHP362 |
| 8G | HP3036 | 8.0 | 204 | |
| 8H | HP3037 | 18.1 | 460 | |
| 8I | HP3038 | 28.0 | 710 | MPS64, BHP561G, BHP5751G, BHP562 |
| 8J | HP5007 | 24.0 | 608.5 | |
| 8K | HP5008 | 34.0 | 863.5 | |

To Protect Your Warranty, Use Only ENERPAC Hydraulic Oil.

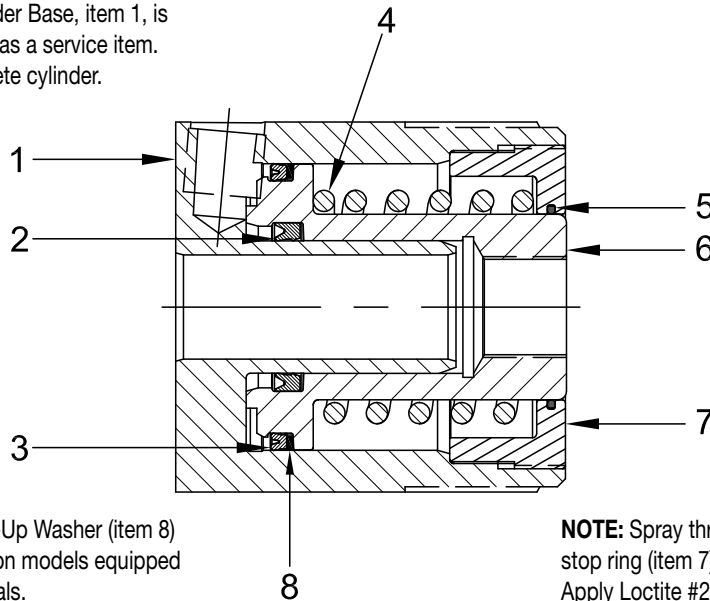
Enerpac recommends that all kit components be installed to insure optimum performance of the repaired product.



WARNING: STOP RINGS ON RWH CYLINDER MODELS ARE SPRING LOADED

IF NOT CONTAINED DURING DISASSEMBLY, SPRING AND STOP RING COULD CAUSE PERSONAL INJURY.

NOTE: Cylinder Base, item 1, is not available as a service item. Order complete cylinder.



NOTE: Back-Up Washer (item 8) is only used on models equipped with Viton seals.

NOTE: Spray threads on base (item 1) and stop ring (item 7) with Loctite Activator #7471. Apply Loctite #222 to threads after Activator has dried. Assemble and torque stop ring (item 7) to 50-100 In-Lbs (5-11 Nm).

Parts List - Models RWH-121 and RWH-121V

| Item | Model Number | | Qty. | Description |
|------|--------------|------------|------|--|
| | RWH-121 | RWH-121V | | |
| 1 | CH970030 | CH970030 | 1 | Base (not available as a service item) |
| 2 | DW1253041 | (not used) | 1 | ★ U-Cup, Standard |
| | (not used) | CF476041 | 1 | ❖ U-Cup, Viton |
| 3 | CJ422041 | (not used) | 1 | ★ U-Cup, Standard |
| | (not used) | CA520041 | 1 | ❖ U-Cup, Viton |
| 4 | Y397110 | Y397110 | 1 | Spring |
| 5 | B1028803 | (not used) | 1 | ★ O-Ring, Standard |
| | (not used) | B1028203 | 1 | ❖ O-Ring, Viton |
| 6 | CH971040 | CH971040 | 1 | Plunger |
| 7 | B47035 | B47035 | 1 | Stop Ring |
| 8 | (not used) | B1225564 | 1 | ❖ Back-Up Washer, Viton |

★ Items included in and available only as part of Standard Repair Kit RWH121K1.

❖ Items included in and available only as part of Viton Repair Kit QMH120VK.

Enerpac Worldwide Locations

◆ e-mail: info@enerpac.com

◆ internet: www.enerpac.com

Africa

ENERPAC Middle East FZE
Office 423, JAFZA 15
P.O. Box 18004
Jebel Ali, Dubai
United Arab Emirates
Tel: +971 (0)4 8872686
Fax: +971 (0)4 8872687

Australia, New Zealand Actuant Australia Ltd.

Block V Unit 3
Regents Park Estate
391 Park Road
Regents Park NSW 2143
(P.O. Box 261) Australia
Tel: +61 297 438 988
Fax: +61 297 438 648

Brazil

Power Packer do Brasil Ltda.
Rua dos Inocentes, 587
04764-050 - Sao Paulo (SP)
Tel: +55 11 5687 2211
Fax: +55 11 5686 5583
Toll Free in Brazil:
Tel: 0800 891 5770
vendasbrasil@enerpac.com

Canada

Actuant Canada Corporation
6615 Ordan Drive, Unit 14-15
Mississauga, Ontario L5T 1X2
Tel: +1 905 564 5749
Fax: +1 905 564 0305
Toll Free:
Tel: +1 800 268 4987
Fax: +1 800 461 2456
Technical Inquiries:
techservices@enerpac.com

China

Actuant Industries Co. Ltd.
No. 6 Nanjing Road
Taicang Economic Dep Zone
Jiangsu, China
Tel: +86 0512 5328 7529
+86 0512 5328 7500 7529
Fax: +86 0512 5335 9690

Actuant China Ltd. (Peking)

709B Diyang Building
Xin No. 2
Dong San Huan North Rd.
Beijing City
100028 China
Tel: +86 10 845 36166
Fax: +86 10 845 36220

France, Switzerland francophone

ACTUANT - ENERPAC
France S.A., ZA de Courtaboeuf
32, avenue de la Baltique
91140 Villebon / Yvette
France
Tel: +33 1 60 13 68 68
Fax: +33 1 69 20 37 50

Germany, Austria, Switzerland, Greece, Baltic States, Central and Eastern Europe

ENERPAC GmbH
P.O. Box 300113
D-40401 Düsseldorf
Willstätterstrasse 13
D-40549 Düsseldorf
Germany
Tel: +49 211 471 490
Fax: +49 211 471 49 28

India

ENERPAC Hydraulics
(India) Pvt. Ltd.
No. 1A,
Peenya Industrial Area,
IInd Phase
Bangalore, 560 058 India
Tel: +91 80 40 792 777
Fax: +91 80 40 792 792

Italy

ENERPAC S.p.A.
Via Canova 4
20094 Corsico (Milano)
Tel: +39 02 4861 111
Fax: +39 02 4860 1288

Japan

Applied Power Japan LTD KK
Besshochou 85-7
Kita-ku,
Saitama-shi 331-0821
Japan
Tel: +81 48 662 4911
Fax: +81 48 662 4955

Middle East, Turkey and Caspian Sea

ENERPAC Middle East FZE
Office 423, JAFZA 15
P.O. Box 18004
Jebel Ali, Dubai
United Arab Emirates
Tel: +971 (0)4 8872686
Fax: +971 (0)4 8872687

Russia and CIS (excl. Caspian Sea Countries)

Actuant LLC
Admiral Makarov Street 8
125212 Moscow, Russia
Tel: +7-495-9809091
Fax: +7-495-9809092

Sweden, Denmark, Norway, Finland and Iceland

ENERPAC Scandinavia AB
Fabriksgatan 7
412 50 Gothenburg
Sweden
Tel: +46 31 7990281
Fax: +46 31 7990010
scandinavianinquiries@enerpac.com

Singapore

Actuant Asia Pte. Ltd.
37C, Benoi Road Pioneer Lot,
Singapore 627796
Tel: +65 68 63 0611
Fax: +65 64 84 5669
Toll Free: +1800 363 7722
Technical Inquiries:
tech.service-sg@enerpac.com

South Korea

Actuant Korea Ltd.
3Ba 717,
Shihwa Industrial Complex
Jungwang-Dong, Shihung-Shi,
Kyunggi-Do
Republic of Korea 429-450
Tel: +82 31 434 4506
Fax: +82 31 434 4507

Spain and Portugal

ENERPAC SPAIN, S.L.
Avda. Los Frailes, 40 - Nave C
& D
Pol. Ind. Los Frailes
28814 DAGANZO DE ARRIBA
(Madrid)
Spain
Tel: +34 91 884 86 06
Fax: +34 91 884 86 11

Sweden, Denmark, Norway, Finland and Iceland

Enerpac Scandinavia AB
Fabriksgatan 7
412 50 Gothenburg
Sweden
Tel: +46 (0) 31 7990281
Fax: +46 (0) 31 7990010
Inquiries:
Scandinavianinquiries@enerpac.com

The Netherlands, Belgium, Luxembourg

ENERPAC B.V.
Galvanistraat 115, 6716 AE Ede
P.O. Box 8097, 6710 AB Ede
The Netherlands
Tel: +31 318 535 800
Fax: +31 318 525 613
+31 318 535 848
beneluxinquiries@enerpac.com
Technical Inquiries Europe:
techsupport.europe@enerpac.com

United Kingdom, Ireland

Enerpac Ltd
Bentley Road South
Darlaston, West Midlands
WS10 8LQ, United Kingdom
Tel: +44 (0)121 50 50 787
Fax: +44 (0)121 50 50 799

USA, Latin America and Caribbean

ENERPAC
P.O. Box 3241
6100 N. Baker Road
Milwaukee, WI 53209 USA
Tel: +1 262 781 6600
Fax: +1 262 783 9562

User inquiries:

+1 800 433 2766

Inquiries/orders:

+1 800 558 0530

Technical Inquiries:

techservices@enerpac.com

ENERPAC

704 W. Simonds
Dallas, TX 75159 USA
Tel: +1 972 287 2390
Fax: +1 972 287 4469

09/30/09

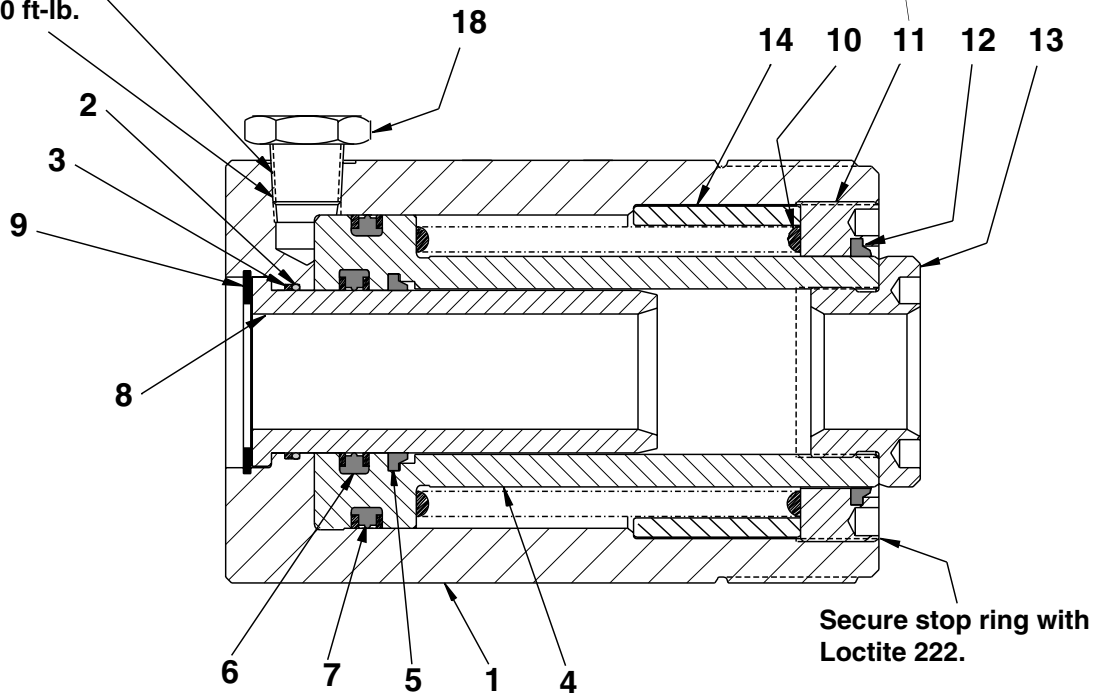
All Enerpac products are guaranteed against defects in workmanship and materials for as long as you own them. For your nearest authorized Enerpac Service Center, visit us at www.enerpac.com

⚠ WARNING
Stop rings on RCH and RWH models are spring loaded!
If not contained during disassembly, spring and stop ring could cause personal injury.

(S) Stop ring threads are staked. Stake mark must be removed prior to attempting to remove stop ring. Restake after testing repaired cylinder.

Use Loctite 545
or teflon tape.

Torque to 50-60 ft-lb.
[67,6-81,1 Nm]



NOTE: Cylinder Base, Item #1 is not available as a service item. Order Complete Cylinder.

INSTALL ALL KIT COMPONENTS TO INSURE OPTIMUM PERFORMANCE OF THE REPAIRED CYLINDER.

REPAIR PARTS LIST

| Item No. | RCH-202 | RWH-200 RWH-200V | RWH-202 RWH-202V | Quantity | Description |
|----------|-----------|---------------------|---------------------|----------|--------------------------|
| 1 | | | | 1 | Cylinder Assembly |
| 2 | ★ | ★ | ★ | 1 | O-Ring |
| 3 | ★ | ★ | ★ | 1 | Back-up Ring |
| 4 | DA5164040 | DA5163040 | DA5164040 | 1 | Plunger |
| 5 | ★ | ★ | ★ | 1 | Wiper Ring |
| 6 | ★ | ★ | ★ | 1 | G-T Ring |
| 7 | ★ | ★ | ★ | 1 | G-T Ring Viton |
| 8 | DA5160268 | DA5159268 | DA5160268 | 1 | Center Tube |
| 9 | ★ | ★ | ★ | 1 | Retaining Ring |
| 10 | CF707110 | CF707110 | CF707110 | 1 | Spring |
| 11 | CJ671044 | CJ671044 | CJ671044 | 1 | Stop Ring |
| 12 | ★ | ★ | ★ | 1 | Wiper Ring Viton |
| 13 | CB894045 | CB894045 | CB894045 | 1 | Saddle |
| 14 | CJ672044 | CJ672044 | CJ672044 | 1 | Stop Ring |
| 15 | CR-400 | — | — | 1 | Half Coupler (not shown) |
| 18 | — | FZ1630 | FZ1630 | 1 | Reducer Bushing |

★ Indicates item included in and available only as part of Repair Kit RCH-202K.
For viton cylinders, order Repair Kit RCH-202KV1.

Australia
ENERPAC, Applied Power Australia Ltd.
Block V Unit 3,
Regents Park Estate,
391 Park Road
Regents Park NSW 2143
(P.O. Box 261) Australia
Tel: +61 297 438 988
Fax: +61 297 438 648

Brazil
Power Packer do
Brasil LTDA
Avenida Ferraz
Alvim nº 1012
(09961-550) - Diadema
São Paulo, Brazil
Tel: +55 11 4051 1188
Fax: +55 11 4051 3699

China
Shanghai Blackhawk
Machinery Co Ltd
15H Jinxuan Building
238 Nandan Road (E)
Shanghai, 200030, China
Tel: +86 21 6469 8732
Fax: +86 21 6469 8721

France, Greece, Turkey, Middle East,
Africa
ENERPAC S.A.
B.P. 200, Parc d'Activités
du Moulin de Massy
F-91882 Massy CEDEX (Paris) France
Tel: +33 01 601 368 68
Fax: +33 01 692 037 50

Germany, Denmark, Scandinavia,
Austria, Switzerland, Eastern
Europe, CIS
ENERPAC
Applied Power GmbH
P.O. Box 300113
D-40401 Düsseldorf, Germany
Tel: +49 211 471 490
Fax: +49 211 471 49 28/40

Holland, Belgium, Luxembourg,
ENERPAC B.V.
Storkstraat 25
P.O. Box 269
3900 AG Veenendaal, Holland
Tel: +31 318 535 911
Fax: +31 318 535 848
+31 318 526 645

Hong Kong
ENERPAC
Room 907 Workingberg
Commercial Building
41-47 Marble Road,
North Point
Tel: +852-2561 6295
Fax: +852-2561 6772

India
ENERPAC
Hydraulic (India) Pvt Ltd
Plot No. A-571
MIDC, TTC Industrial Area
Mahape-400 701,
Navi Mumbai, India
Tel: +91 22 769 47 78
Fax: +91 22 769 84 73

Italy
ENERPAC Applied Power Italiana S.p.A.
Via Canova 4,
20094 Corsico (Milano)
Tel: +39 2 486 111 00
Fax: +39 2 486 012 88

Japan
Applied Power Japan Ltd.
10-17 Sasame Kita-Machi
Toda-Shi, Saitama #335, Japan
Tel: +81 048 421 2311
Fax: +81 048 421 8949

Malaysia
Applied Power Hytec (M) Sdn Bhd 22-1,
Jalan SS 15/8B
Subang Jaya, 47500
P.J. Selangor
West Malaysia
Tel: (0203) 73729 23/39/19
Fax: (0203) 737 29 18

Mexico
ENERPAC Applied Power Mexico S.A. de
C.V.
Avenida Principal,
La Paz #100
Fracc. Industrial La Paz
42084 Pachuca, Hidalgo
Tel: +52 771 337 00
Fax: +52 771 838 00

Singapore
Applied Power Asia Pte Ltd
47 Jalan Pemimpin,
#01-02 & 01-03
Sin Cheong Bldg
Singapore 577200
Thomson Road,
P.O. Box 114
Singapore 915704
Tel: +65 258 16 77
Fax: +65 258 28 47

South Korea
ENERPAC
Applied Power Korea Ltd.
163-12 Dodang-Dong, Choong-Ku,
Buchun-shi, Kyunggi-Do
Republic of Korea
Tel: +82 32 675 08 36
Fax: +82 32 675 30 02

Spain, Portugal
ENERPAC Applied Power International S.A.
A. Valgrande 14
Nave 12
28108 Alcobendas (Madrid), Spain
Tel: +34 91 661 11 25
Fax: +34 91 661 47 89

United Kingdom, Ireland
ENERPAC Limited
Unit 3 Colemeadow Road
North Moons Moat, Redditch
Worcester B98 9PB
United Kingdom
Tel: +44 01527 598 900
Fax: +44 01527 585 500

USA, Canada, Latin America and
Caribbean
ENERPAC
6101 N. Baker Road
Milwaukee, WI 53209 USA
Tel: +1 414 781 66 00
Fax: +1 414 781 10 49

USA
User inquiries:
+1 800 433 2766
Distributor inquiries/orders:
+1 800 558 0530

Canada
User inquiries:
+1 800 426 4129
Distributor inquiries/orders:
+1 800 426 2284

Internet
www.enerpac.com

e-mail
info@enerpac.com

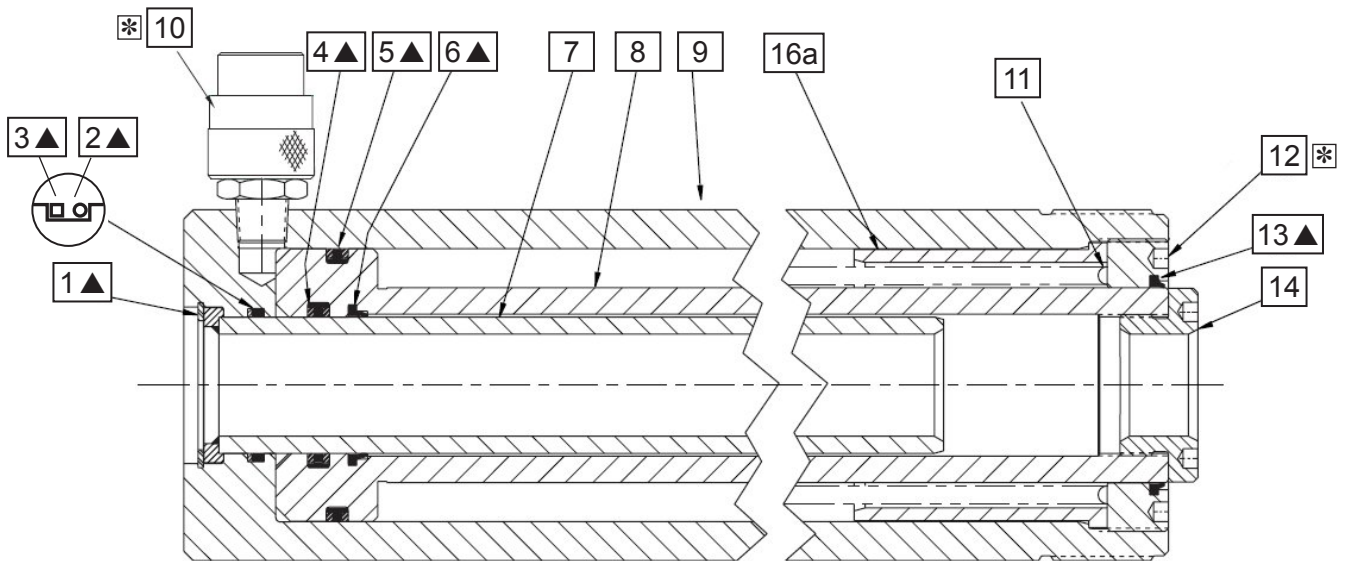
All Enerpac products are guaranteed against defects in workmanship and materials for as long as you own them.
Under this guarantee, free repair or replacement will be made to your satisfaction.

For your nearest authorized Enerpac Service Center, visit us at www.enerpac.com

| Repair Parts Sheet | Revision | Revision Date | Product Code Beginning |
|--------------------|----------|---------------|------------------------|
| L1627 | Rev. J | 11/2017 | C |



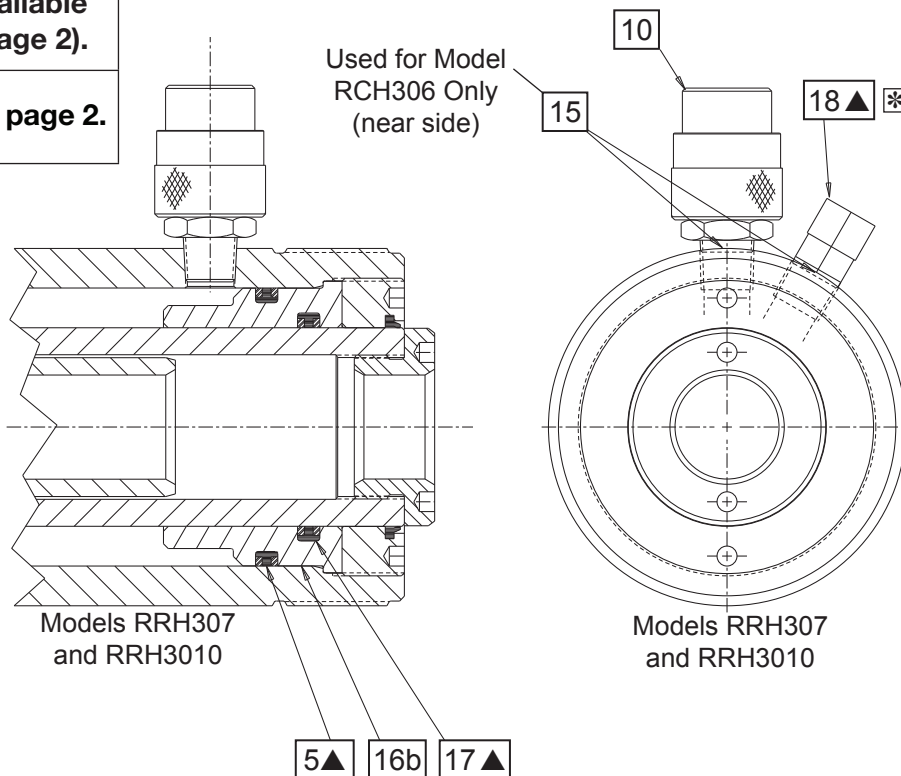
WARNING: STOP RINGS ON RCH MODELS ARE SPRING LOADED! IF NOT CONTAINED DURING DISASSEMBLY, SPRING AND STOP RING COULD CAUSE PERSONAL INJURY.



Models RCH302 and RCH306

▲ = Parts available in kits (see page 2).

* See  on page 2.



Models RRH307 and RRH3010

Models RRH307 and RRH3010

| Repair Parts List | | | | | | L1627 |
|-------------------|--------------------------------|------|--|-----------|------------------|------------------|
| Item | Description | Qty. | RCH302 | RCH306 | RRH307 | RRH3010 |
| 1 | Retaining Ring ▲ | 1 | A1006049 | A1006049 | A1006049 | A1006049 |
| 2 | O Ring ▲ | 1 | B1090503 | B1090503 | B1090503 | B1090503 |
| 3 | Back Up Ring ▲ | 1 | DA4984566 | DA4984566 | DA4984566 | DA4984566 |
| 4 | G T Ring ▲ | 1 | B13271514 | B13271514 | B13271514 | B13271514 |
| | G T Ring ■ | 1 | B13271516 | B13271516 | B13271516 | B13271516 |
| 5 | G T Ring ▲ | 1 | B1338513 | B1338513 | B1338513 (Qty 2) | B1338513 (Qty 2) |
| | G T Ring ■ | 1 | B1338515 | B1338515 | B1338515 (Qty 2) | B1338515 (Qty 2) |
| 6 | Wiper ▲ | 1 | CJ142044 | CJ142044 | CJ142044 | CJ142044 |
| 7 | Center Tube | 1 | B1338515 | B1338515 | DA3468900 | DA4101900 |
| 8 | Plunger | 1 | DA4066040 | DA3472040 | DA3472040 | DA4100040 |
| 9 | Cylinder | 1 | Not available as service part. Order new cylinder. | | | |
| 10 | Coupler | 1 | CR400 | CR400 | --- | --- |
| | Coupler | 2 | --- | --- | CR400 | CR400 |
| 11 | Spring | 1 | CH259110 | CR514110 | --- | --- |
| 12 | Stopring | 1 | DA3464044 | DA3464044 | DA3464044 | DA3464044 |
| 13 | Wiper ▲ | 1 | CJ50044 | CJ50044 | CJ50044 | CJ50044 |
| 14 | Saddle | 1 | CF698045 | CF698045 | CF698045 | CF698045 |
| 15 | Plug | 1 | --- | A1009245 | --- | --- |
| 16a | Stop Tube | 1 | DA4069268 | DA3466268 | --- | --- |
| 16b | Int. Stop Ring | 1 | --- | --- | DA3463044 | DA3463044 |
| 17 | G T Ring ▲ | 1 | --- | --- | B1333514 | B1333514 |
| | G T Ring ■ | 1 | --- | --- | B1333516 | B1333516 |
| 18 | Relief Valve ▲ | 1 | --- | --- | CJ160900W | CJ160900W |
| 19 | Dust Cap (not shown) ▲ | 1 | DD1782020 | DD1782020 | --- | --- |
| | Dust Cap (not shown) ▲ | 2 | --- | --- | DD1782020 | DD1782020 |
| 20 | Thread Protector (not shown) ▲ | 1 | CL402271 | CL402271 | CL402271 | CL402271 |
| 21 | Decal Warning (not shown) ▲ | 1 | DA5625026 | DA5625026 | DA5625026 | DA5625026 |
| 22 | Decal Hollow (not shown) ▲ | 1 | G668026 | G668026 | G668026 | G668026 |
| 23 | Decal, Warning (not shown) ▲ | 1 | DA6027026 | DA6027026 | DC6154026 | DC6154026 |
| 24 | Coupler, O-Ring (not shown) | 1 | B1116803 | B1116803 | --- | --- |
| | Coupler, O-Ring (not shown) | 2 | --- | --- | B1116803 | B1116803 |
| | Repair Kit (standard seals) | | RCH302K2 | RCH302K2 | RRH3010K2 | RRH3010K2 |
| | Repair Kit (Viton seals) | | RWH302KV | RWH302KV | RWH302KV | RWH302KV |

▲ = Indicates Items Included in Repair Kits RCH302K2 and RRH3010K2.

■ = Indicates Items Included in Repair Kits RWH302KV. Parts included in kits will vary, depending on kit ordered.

IMPORTANT: Shaded items are available only in kits (not sold separately).



| Service Notes | | | L1627 |
|---------------|-----------|---|-------|
| Item | Model | Torque / Remark | |
| 10 | RCH / RRH | 40 - 60 ft-lbs [54 - 81 Nm] | |
| 10 | RCH / RRH | Use Loctite 545 or Teflon tape | |
| 12 | RCH / RRH | Use Loctite 222 | |
| 18 | RRH | 40 - 60 ft-lbs [54 - 81 Nm] | |
| 18 | RRH | Set safety valve to 11,000 - 11,500 psi [760 - 795 bar] | |
| 18 | RRH | Use Loctite 545 or Teflon tape | |



To maintain your warranty:

- Use only Enerpac Oil
- Have your products inspected and repaired by an Enerpac Authorized Service Center

ENERPAC

Visit www.enerpac.com for the location of the Enerpac Authorized Service Center nearest you.

To Protect Your Warranty, Use Only ENERPAC Hydraulic Oil.

Enerpac recommends that all kit components be installed to insure optimum performance of the repaired product.

WARNING! Stop rings on RCH models are spring loaded! If not contained during disassembly, spring and stop ring could cause personal injury.

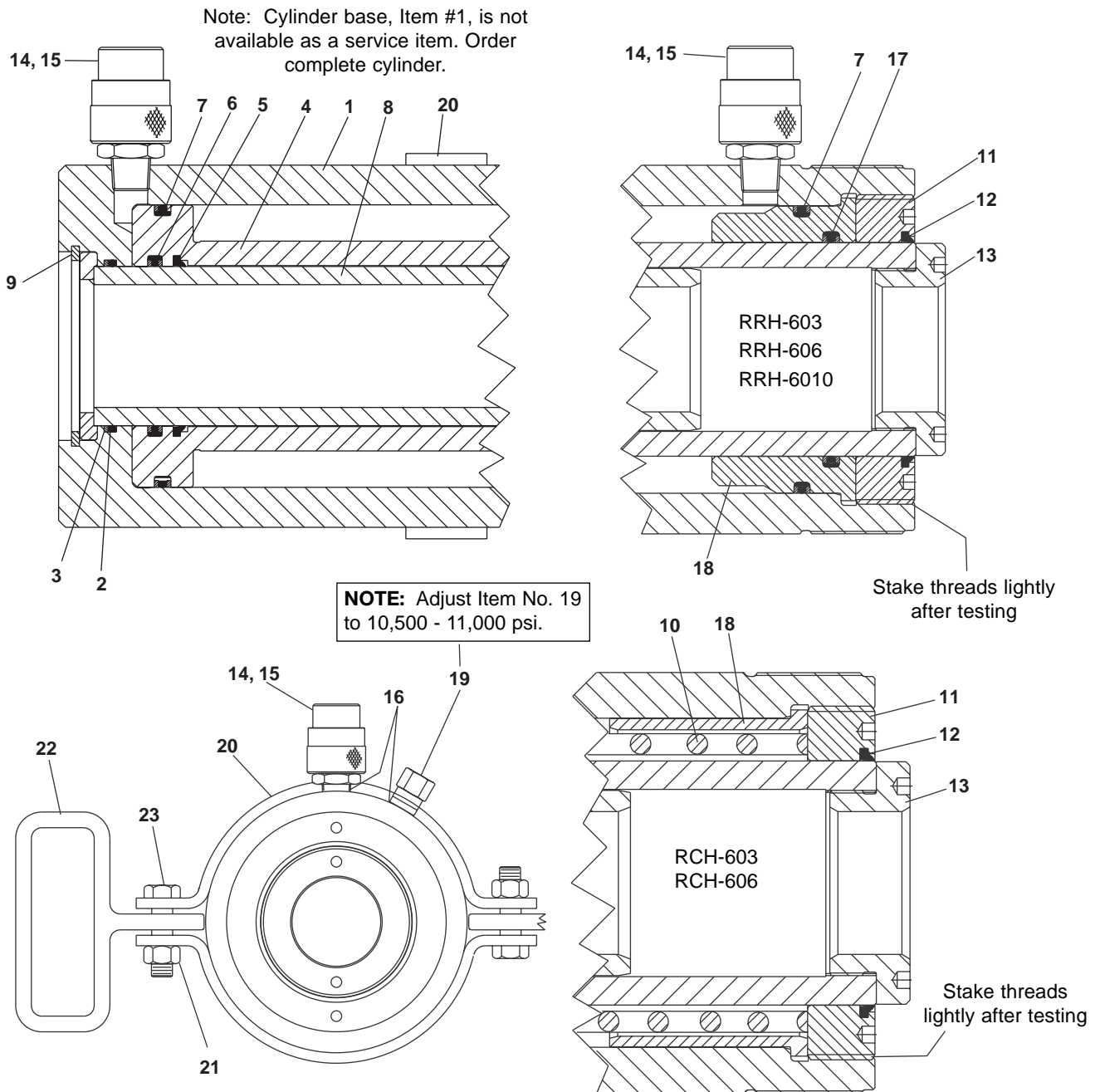


Figure 1

| Item | RCH-603 | RCH-606 | RRH-603 | RRH-606 | RRH-6010 | Qty. | Description |
|------|-------------|----------------|-------------|-------------|-------------|------|--|
| 1 | | Order Complete | Cylinder | | | 1 | Cylinder |
| 2 | ★ | ★ | ★ | ★ | ★ | 1 | O-Ring |
| 3 | ★ | ★ | ★ | ★ | ★ | 1 | Back-Up Ring |
| 4 | DA4806040 | DA4807040 | DA4806040 | DA4807040 | DA4808040 | 1 | Plunger |
| 5 | ★ | ★ | ★ | ★ | ★ | 1 | Wiper Ring |
| 6 | ★ | ★ | ★ | ★ | ★ | 1 | G-T Ring Assembly |
| 7 | ★ | ★ | ★ | ★ | ★ | 2 | G-T Ring Assembly (RCH Models use 1) |
| 8 | DA4809900 | DA4810900 | DA4809900 | DA4810900 | DA4811900 | 1 | Center Tube |
| 9 | ★ | ★ | ★ | ★ | ★ | 1 | Retaining Ring |
| 10 | DA4816110 | DA4816110 | ----- | ----- | ----- | 1 | Spring |
| 11 | CR106044 | CR106044 | CR106044 | CR106044 | CR106044 | 1 | Stop Ring |
| 12 | ★ | ★ | ★ | ★ | ★ | 1 | Wiper Ring |
| 13 | CB891045 | CB891045 | CB891045 | CB891045 | CB891045 | 1 | Saddle |
| 14 | CR400 | CR400 | CR400 | CR400 | CR400 | 2 | Coupler (RCH Models use 1) |
| 15 | CD411 | CD411 | CD411 | CD411 | CD411 | 2 | Dust Cap (Not Shown) (RCH Models use 1) |
| 16 | A1009245 | A1009245 | ----- | ----- | ----- | 2 | Flush Plug (RCH Models Only) |
| 17 | ----- | ----- | ★ | ★ | ★ | 1 | G-T Ring Assembly |
| 18 | DA4814268 | DA4814268 | DA4813044 | DA4813044 | DA4813044 | 1 | Inner Stop Ring |
| 19 | ----- | ----- | CJ160900W | CJ160900W | CJ160900W | 1 | Relief Valve Assembly |
| 20 | DA5238900SR | DA5238900SR | DA5238900SR | DA5238900SR | DA5238900SR | 2 | Collar (Incl.It.#21,22,23) |
| 21 | ----- | ----- | ----- | ----- | ----- | 2 | Nut |
| 22 | ----- | ----- | ----- | ----- | ----- | 2 | Handle |
| 23 | ----- | ----- | ----- | ----- | ----- | 2 | Bolt |
| | RRH603K4 | RRH603K4 | RRH603K4 | RRH603K4 | RRH603K4 | 1 | Repair Kit |

★ Indicates Items Included in and Available Only in Repair Kits.

Enerpac Worldwide Locations

Africa

ENERPAC Middle East FZE
P.O. Box 18004
Jebel Ali, Dubai
United Arab Emirates
Tel: +971 (0)4 8872686
Fax: +971 (0)4 8872687

Australia

Actuant Australia Ltd.
Block V Unit 3
Regents Park Estate
391 Park Road
Regents Park NSW 2143
(P.O. Box 261) Australia
Tel: +61 297 438 988
Fax: +61 297 438 648

Brazil

Power Packer do Brasil Ltda.
Rua dos Inocentes, 587
04764-050 - Sao Paulo (SP)
Tel: +55 11 5687 2211
Fax: +55 11 5686 5583
Toll Free in Brazil:
Tel: 0800 891 5770
vendasbrasil@enerpac.com

Canada

Actuant Canada Corporation
6615 Ordan Drive, Unit 14-15
Mississauga, Ontario L5T 1X2
Tel: +1 905 564 5749
Fax: +1 905 564 0305
Toll Free:
Tel: +1 800 268 4987
Tel: +1 800 461 2456
Technical Inquiries:
techservices@enerpac.com

China

Actuant China Ltd.
1F, 269 Fute N. Road
Waigaoqiao Free Trade Zone
Pudong New District
Shanghai, 200 131 China
Tel: +86 21 5866 9099
Fax: +86 21 5866 7156

Actuant China Ltd. (Beijing)

709B Diyang Building
Xin No. 2
Dong San Huan North Rd.
Beijing City
100028 China
Tel: +86 10 845 36166
Fax: +86 10 845 36220

Central and Eastern Europe, Greece

ENERPAC B.V.
Galvanistraat 115
P.O. Box 8097
6710 AB Ede
The Netherlands
Tel: +31 318 535 936
Fax: +31 318 535 951

France, Switzerland francophone

ENERPAC
Une division de ACTUANT
France S.A.
B.P. 200, Parc d'Activités
du Moulin de Massy
F-91882 Massy CEDEX France
Tel: +33 1 60 13 68 68
Fax: +33 1 69 20 37 50

◆ e-mail: info@enerpac.com

Germany, Austria, Greece and Switzerland

ENERPAC GmbH
P.O. Box 300113
D-40401 Düsseldorf
Germany
Tel: +49 211 471 490
Fax: +49 211 471 49 28

India

ENERPAC Hydraulics
(India) Pvt. Ltd.
Office No. 9, 10 & 11,
Plot No. 56, Monarch Plaza,
Sector 11, C.B.D. Belapur
Navi Mumbai 400614, India
Tel: +91 22 2756 6090
Tel: +91 22 2756 6091
Fax: +91 22 2756 6095

Italy

ENERPAC S.p.A.
Via Canova 4
20094 Corsico (Milano)
Tel: +39 02 4861 111
Fax: +39 02 4860 1288

Japan

Applied Power Japan Ltd.
Besshochou 85-7
Saitama-shi, Kita-ku,
Saitama 331-0821
Japan
Tel: +81 48 662 4911
Fax: +81 48 662 4955

Middle East, Turkey and Caspian Sea

ENERPAC Middle East FZE
P.O. Box 18004
Jebel Ali, Dubai
United Arab Emirates
Tel: +971 (0)4 8872686
Fax: +971 (0)4 8872687

Russia and CIS

(excl. Caspian Sea Countries)

Actuant LLC
Admiral Makarov Street 8
125212 Moscow, Russia
Sector 11, C.B.D. Belapur
Tel: +7-495-9809091
Fax: +7-495-9809092

Singapore

Actuant Asia Pte. Ltd.
25 Serangoon North Ave. 5
#03-01 Keppel Digihub
Singapore 554914
Thomson Road
P.O. Box 114
Singapore 915704
Tel: +65 64 84 5108
+65 64 84 3737
Fax: +65 64 84 5669

Toll Free: +1800 363 7722

Technical Inquiries:
techsupport@enerpac.com.sg

South Korea

Actuant Korea Ltd.
3Ba 717,
Shihwa Industrial Complex
Jungwang-Dong, Shihung-Shi,
Kyunggi-Do
Republic of Korea 429-450
Tel: +82 31 434 4506
Fax: +82 31 434 4507

◆ internet: www.enerpac.com

Spain and Portugal

ENERPAC
C/San José Artesano 8
Pol. Ind.
28108 Alcobendas
(Madrid) Spain
Tel: +34 91 661 11 25
Fax: +34 91 661 47 89

The Netherlands, Belgium, Luxembourg, Sweden, Denmark, Norway, Finland and Baltic States

ENERPAC B.V.
Galvanistraat 115
P.O. Box 8097, 6710 AB Ede
The Netherlands
Tel: +31 318 535 911
+31 318 525 613
Fax: +31 318 535 848

Technical Inquiries Europe:
techsupport.europe@enerpac.com

United Kingdom, Ireland

Enerpac Ltd
Bentley Road South
Darlaston, West Midlands
WS10 8LQ, United Kingdom
Tel: +44 (0)121 50 50 787
Fax: +44 (0)121 50 50 799

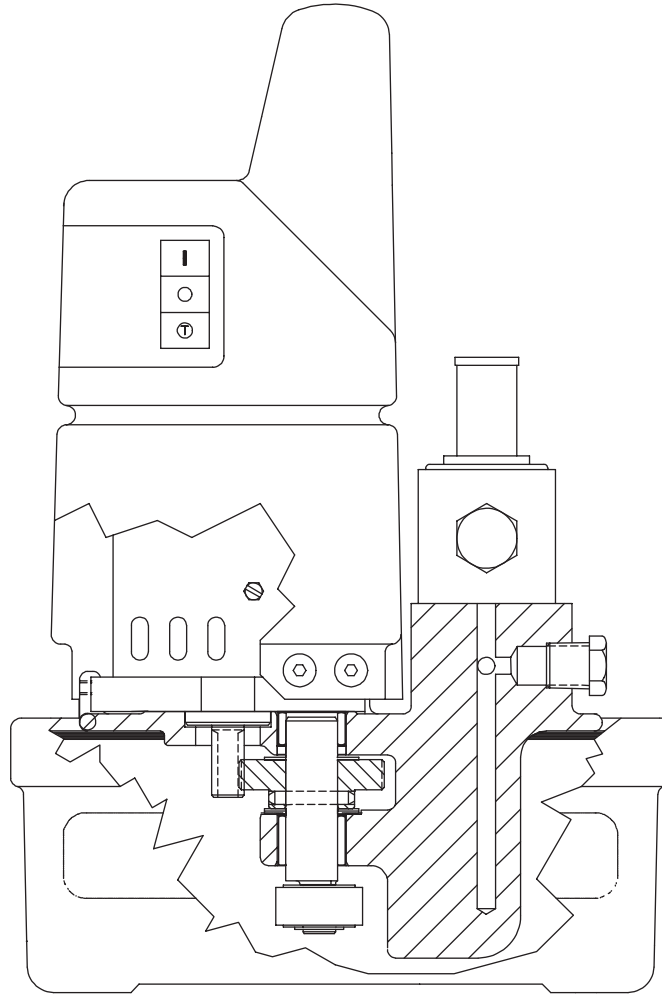
USA, Latin America and Caribbean

ENERPAC
P.O. Box 3241
6100 N. Baker Road
Milwaukee, WI 53209 USA
Tel: +1 262 781 6600
Fax: +1 262 783 9562

Inquiries/orders:
+1 800 558 0530

Technical Inquiries:
techservices@enerpac.com

All Enerpac products are guaranteed against defects in workmanship and materials for as long as you own them. For your nearest authorized Enerpac Service Center, visit us at www.enerpac.com



Contents:

| | | | |
|--|---|---|---|
| Figure 1 - Pump Side View | 2 | Figure 7 - Wiring Diagram | 5 |
| Figure 2 - Pump Front View (shroud removed)..... | 2 | Figure 8 - Top View-Cord and Cables | 6 |
| Figure 3 - Relief Valve..... | 2 | Figure 9 - Remote Pendant Assembly | 7 |
| Figure 4 - Pump Bottom View | 2 | Figure 10 - Poppet Valve Assembly | 8 |
| Figure 5 - Pump Front View (assembled) | 3 | Figure 11 - Electrical Schematic | 8 |
| Figure 6 - Pump Top View | 4 | | |

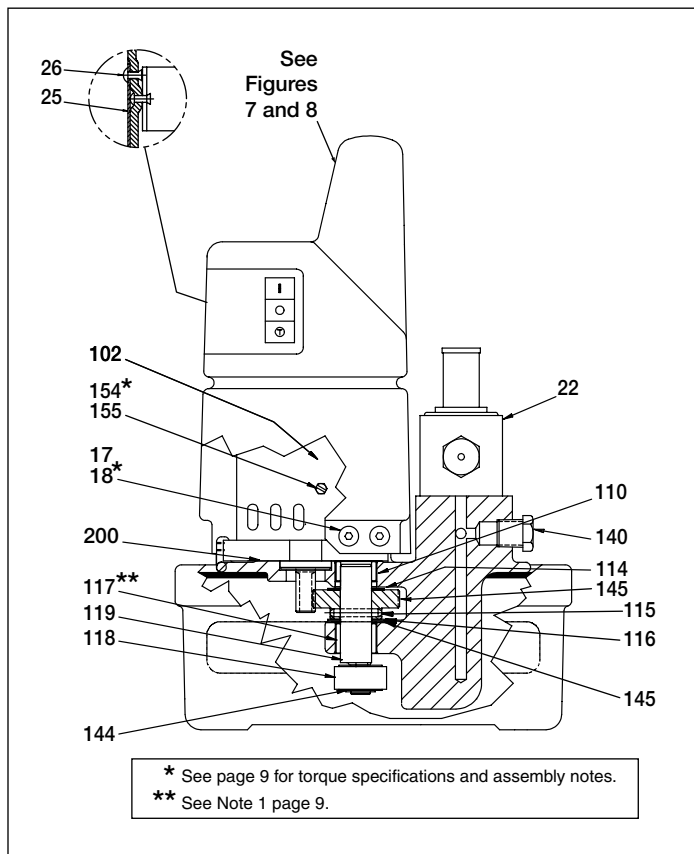


Figure 1, Pump Side View

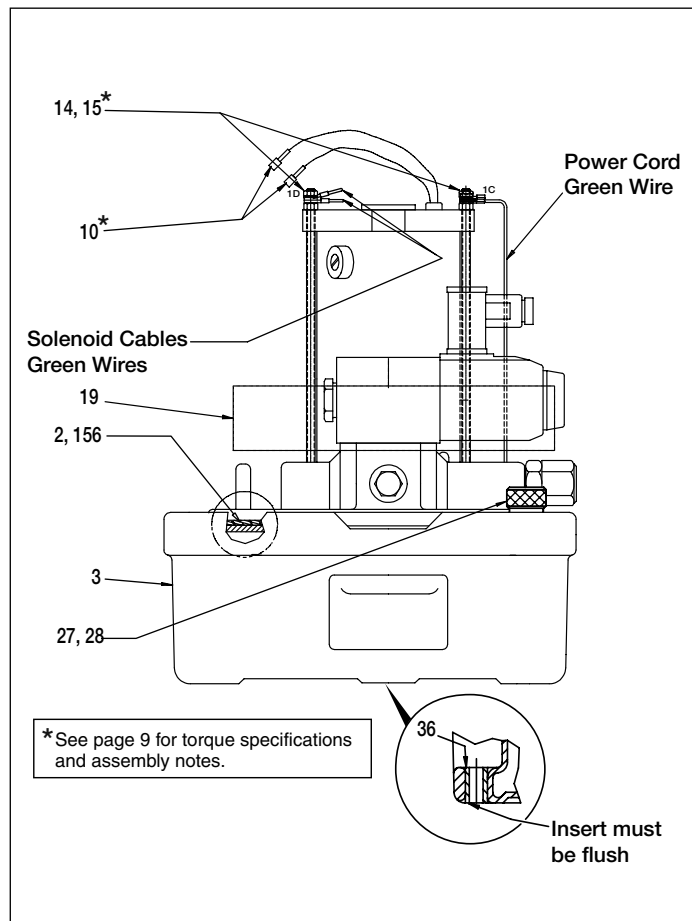


Figure 2, Pump Front View (shroud removed)

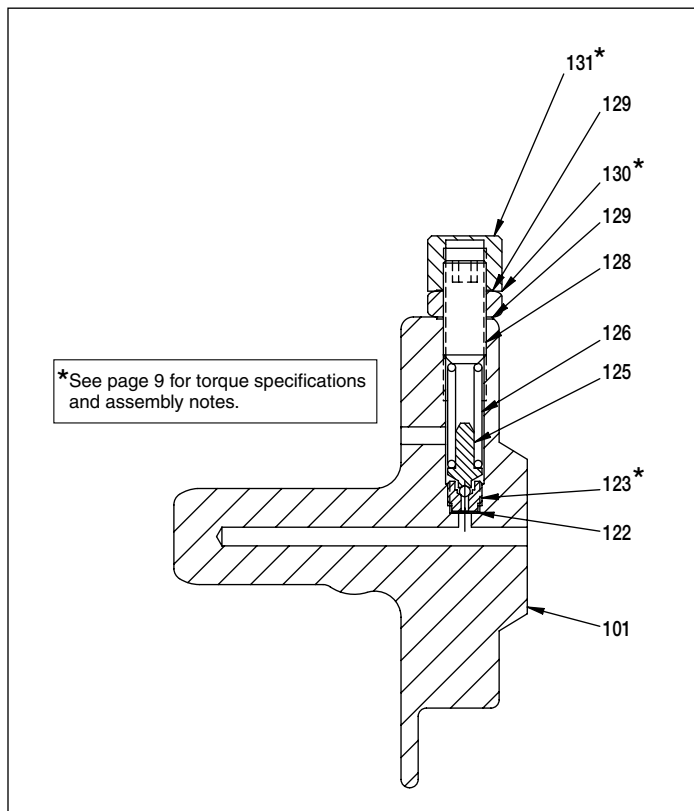


Figure 3, Relief Valve

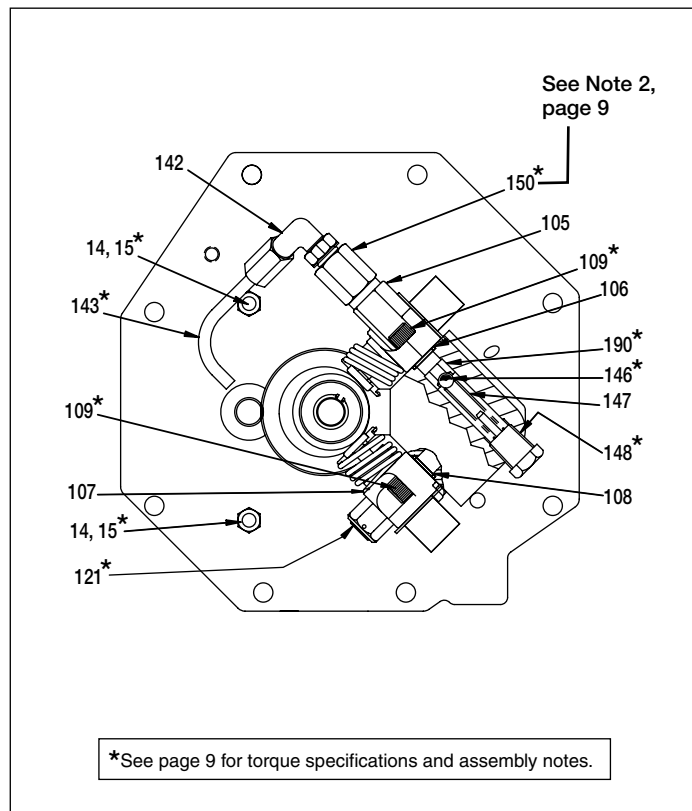


Figure 4, Pump Bottom View

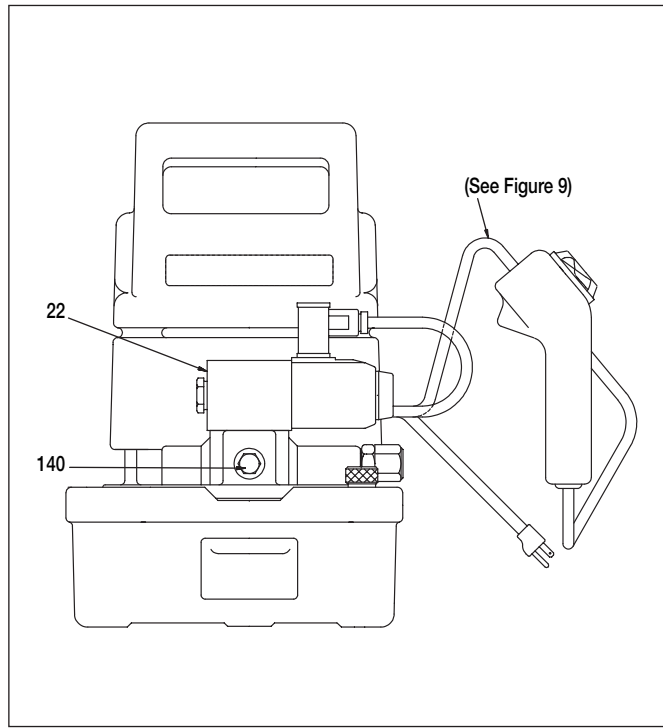


Figure 5, Pump Front View (assembled)

Repair Parts List for Figures 1 through 5

| Item | Part Number | Qty. | Description |
|------|-----------------|------|--------------------------------|
| 2 | ★ DA12088167SR | 1 | Gasket (Includes item 156) |
| 3 | DA1910900SR | 1 | Reservoir Assembly, 0.5 Gal. |
| | DA4780900SR | | Reservoir Assembly, 1.0 Gal. |
| 10 | DA3776006 | 2 | Pin |
| 14 | DA15066 | 4 | Lock Washer |
| 15 | B1018121 | 4 | Hex Nut |
| 17 | CW261225 | 6 | Eyelet |
| 18 | F866028 | 6 | Machine Screw |
| 19 | CW259298 | 1 | Baffle |
| 22 | VSG2310P | 1 | 115V Poppet Valve Ass'y |
| | VSG3510P | 1 | 220V Poppet Valve Ass'y |
| 25 | Contact Enerpac | 1 | Nameplate |
| 26 | DC818003 | 4 | Pop Rivet |
| 27 | DA608024 | 1 | Vent Plug |
| 28 | ★ B1906503 | 1 | O-Ring |
| 36 | DA931225 | 2 | Insert |
| 101 | DA12490840SR | 1 | Pump Manifold (includes # 121) |
| 102 | CW179259 | 1 | 115 VAC Motor |
| | DC1415259 | 1 | 220 VAC Motor (50 Hz) |
| 105 | CW298950SR | 1 | .53 Piston Block Assembly |
| 106 | ★ B1007503 | 1 | O-Ring |
| 107 | CW299950SR | 1 | .24 Piston Block Assembly |
| 108 | ★ B1012803 | 1 | O-Ring |
| 109 | B1010028X | 4 | Screw |
| 110 | CW252107 | 1 | Bearing |
| 114 | CW301228 | 1 | Driven Gear |
| 115 | ★ B1097057 | 1 | Spring Pin |
| 116 | ★ CW199107 | 1 | Bearing |
| 117 | CW251107 | 1 | Bearing |

★ Included in Repair Kit PUD1100BK

| Item | Part Number | Qty. | Description |
|------|-------------|------|-----------------------------|
| 118 | CW302107 | 1 | Bearing |
| 119 | CW303104 | 1 | Shaft |
| 121 | DA5999900SR | 1 | Relief Valve (see Figure 4) |
| 122 | ★ C846037 | 1 | Gasket |
| 123 | ★ DA5771290 | 1 | Seat |
| 125 | DC1316900SR | 1 | Ball Guide Assembly |
| 126 | ★ A109164 | 1 | Compression Spring |
| 128 | DA252028 | 1 | Adjusting Screw |
| 129 | ★ S1167 | 1 | Gasket |
| 130 | CW306055 | 1 | Lock Nut |
| 131 | CW307055 | 1 | Cap Nut |
| 140 | R515245-2 | 1 | Plug |
| 142 | DA1011096 | 1 | Elbow |
| 143 | DA261268 | 1 | Tube |
| 144 | ★ CW467044 | 1 | Retaining Ring |
| 145 | ★ DA445107 | 2 | Bearing |
| 146 | ★ B1007016 | 1 | Ball |
| 147 | ★ DA1564110 | 1 | Spring |
| 148 | DC433950 | 1 | Plug Assembly |
| 149 | B1020028 | 4 | Cap Screw |
| 150 | DA610900SR | 1 | Relief Valve Assembly |
| 154 | ★ CU876028 | 3 | Screw (10-24) |
| 155 | DA3585186 | 3 | Spacer |
| 156 | See item 2 | 1 | Gasket |
| 190 | DA12352290 | 1 | Ball Seat |
| 200 | ★ DC1947167 | 1 | Gasket |

| Replacement Brushes for Electric Motor | | | |
|--|-----------|---|---------------------------|
| --- | DA9655380 | 1 | Brush Set for 115V Models |
| --- | DA9656380 | 1 | Brush Set for 220V Models |

* See page 9 for torque specifications and assembly notes.

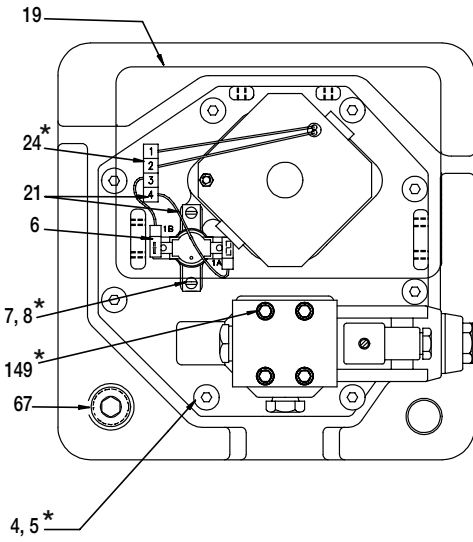


Figure 6, Pump Top View

Repair Parts List for Figure 6

| Item | Part Number | Qty. | Description |
|------|-------------|------|---------------|
| 4 | DA6954167 | 8 | Gasket |
| 5 | DC2038028 | 8 | Screw |
| 6 | E1100004 | 1 | Thermostat |
| 7 | C701222 | 2 | Washer |
| 8 | M642028 | 2 | Screw |
| 19 | CW259298 | 1 | Baffle |
| 21 | DC7969960 | 2 | Wire Assembly |
| 24 | DA11540380 | 1 | Pin Housing |
| 67 | A1009245 | 2 | Plug |
| 149 | DD1074028 | 4 | Cap Screw |

PENDANT OR FOOT SWITCH

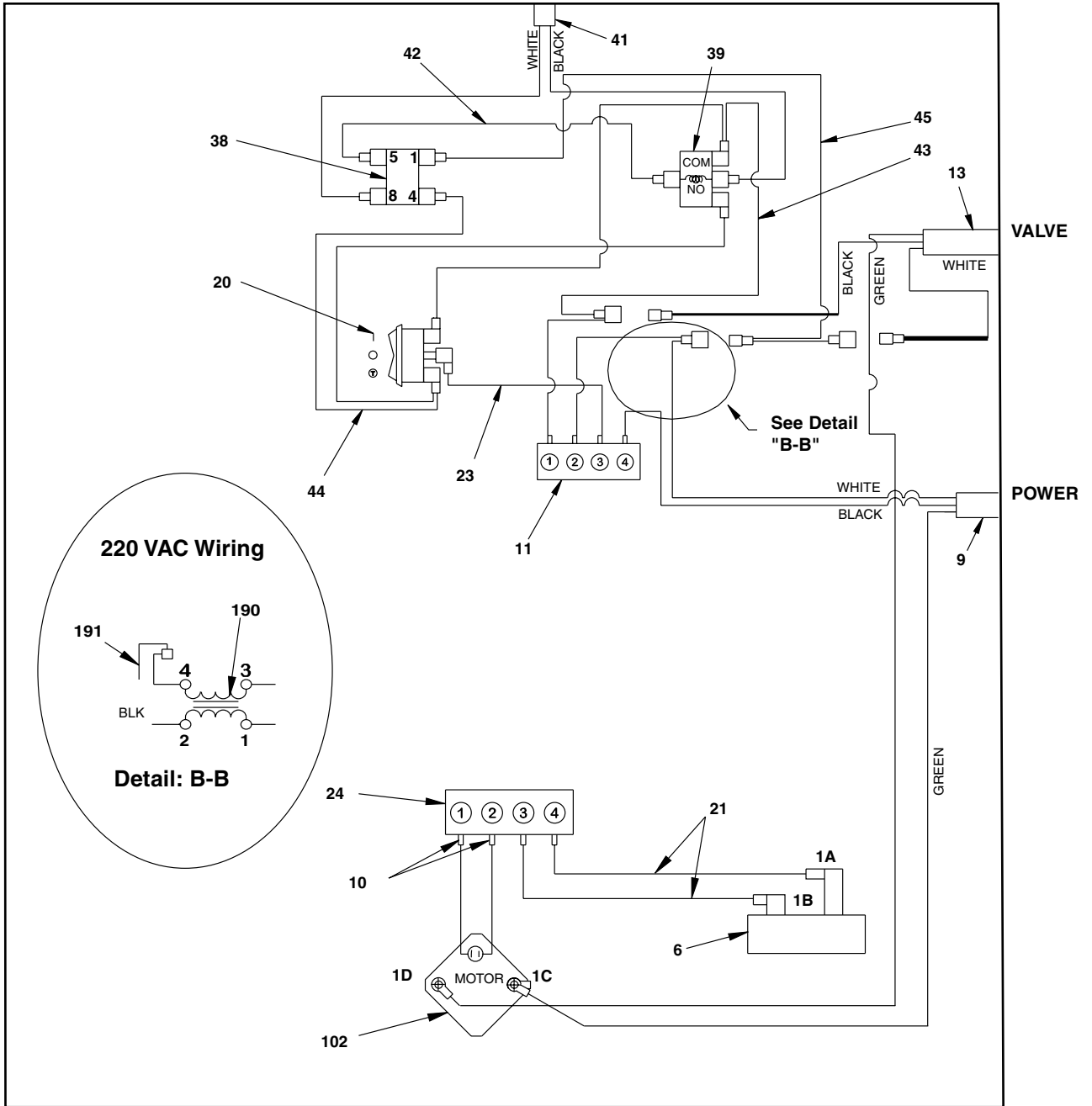


Figure 7, Wiring Diagram

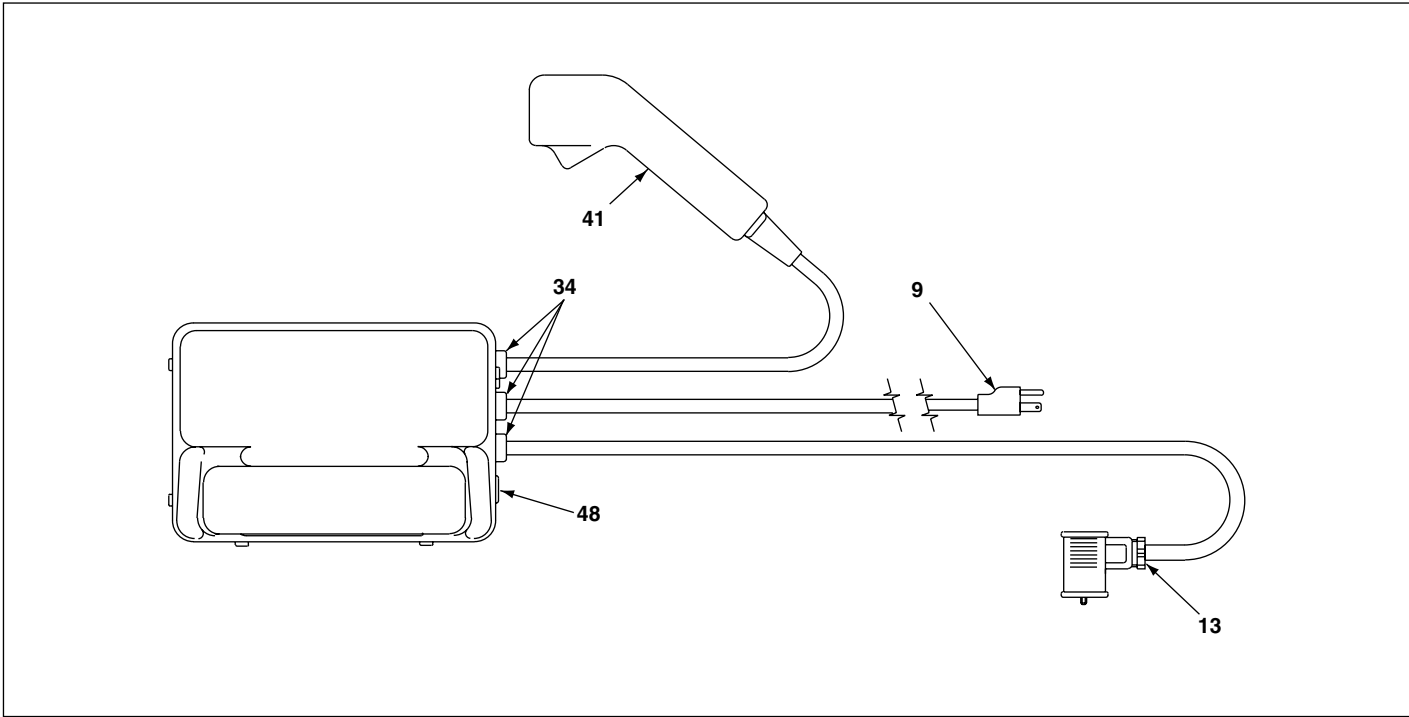


Figure 8, Top View, Cord and Cables

| Repair Parts List for Figures 7 and 8 | | | | | | | |
|---------------------------------------|-------------|------|---------------------|------|-------------|------|----------------------|
| Item | Part Number | Qty. | Description | Item | Part Number | Qty. | Description |
| 9 | DA370900SR | 1 | Power Cord, 115V | 39 | E1300008 | 1 | Relay |
| | DA3728900SR | 1 | Power Cord, 220V | 41 | CR881900SR | 1 | Remote Pendant Assy. |
| 11 | DA11539380 | 1 | Receptacle | 42 | DA1973900SR | 1 | Wire Assembly |
| 13 | DA12343900 | 1 | Solenoid Cable | 43 | DA2082900 | 1 | Wire Assembly |
| 20 | E1500002 | 1 | Switch | 44 | DA1975900SR | 1 | Wire Assembly |
| 21 | DA3712900SR | 2 | Wire Assembly | 45 | DC2083900 | 1 | Wire Assembly |
| 23 | DA3711900SR | 1 | Wire Assembly | 48 | DA3731009 | 1 | Hole Plug |
| 24 | DA11540380 | 1 | Plug | 102 | CW179259 | 1 | Motor, 115V |
| 34 | CR759291 | 3 | Cord Bushing | | DC370259 | 1 | Motor, 220V |
| 38 | E300006 | 1 | 115/24V Transformer | 190 | DC374900 | 1 | Choke Assembly, 220V |
| | E300007 | 1 | 220V/24 Transformer | 191 | DC388900 | 1 | Wire Assembly, 220V |

Note: For replacement shroud assembly, order Repair Kit DC7944900SR (115V) or DC7945900SR (220V).

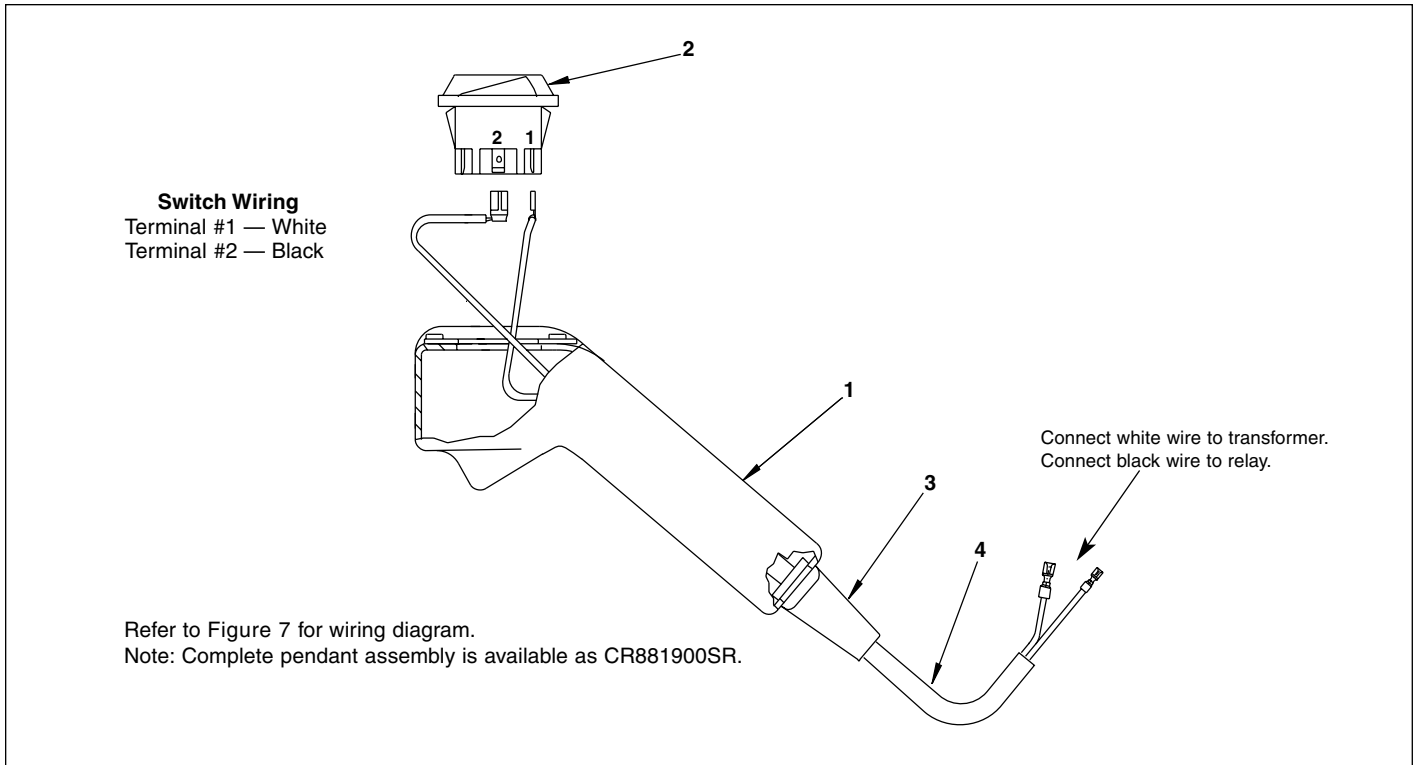


Figure 9, Remote Pendant Assembly

| Repair Parts List for Figure 9 | | | | | | | |
|--------------------------------|-------------|------|--------------|------|-------------|------|------------------------------|
| Item | Part Number | Qty. | Description | Item | Part Number | Qty. | Description |
| 1 | CU598190 | 1 | Pendant Body | 3 | DA1568007 | 1 | Strain Relief |
| 2 | CU911372 | 1 | Switch | 4 | CR880950SR | 1 | Wire Assembly (incl item #3) |

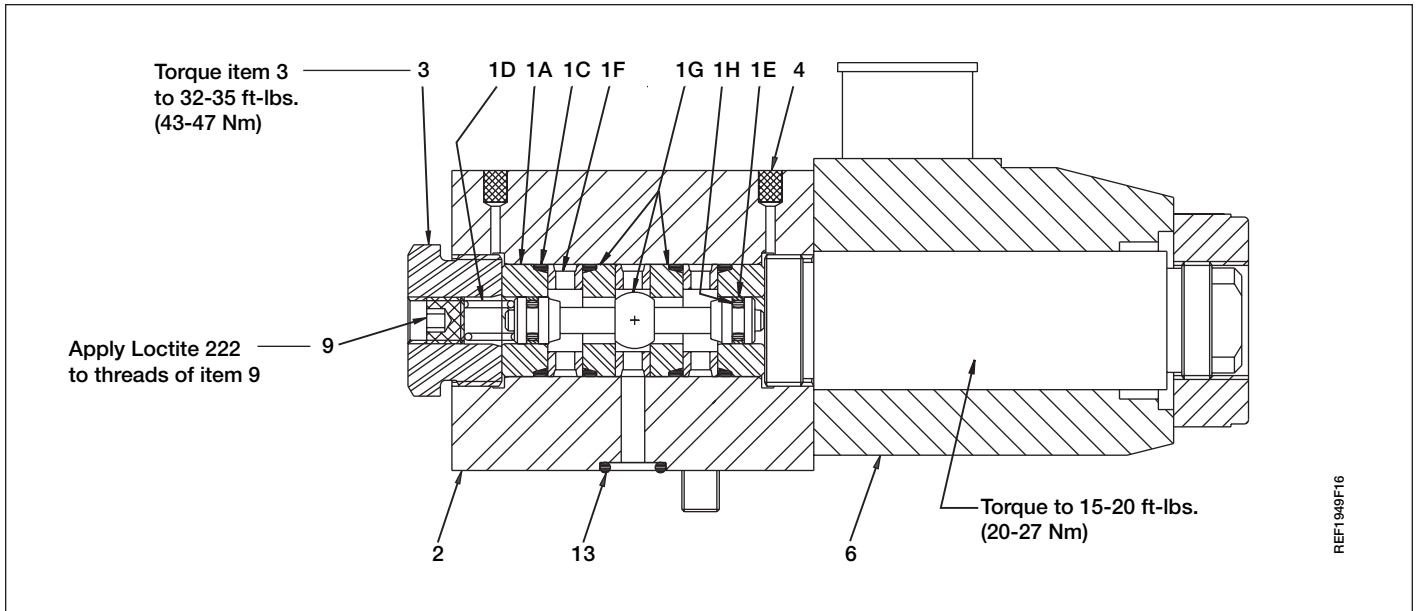


Figure 10, Poppet Valve Assembly

| Repair Parts List for Figure 10 | | | | | | | |
|---------------------------------|-------------|------|--------------------------------|------|-------------|------|--------------------------|
| Item | Part Number | Qty. | Description | Item | Part Number | Qty. | Description |
| 1 | DA5792949SR | 1 | Valve Stack (inc. items 1A-1H) | 2 | DA4393190 | 1 | Valve Block Body |
| 1A | DA3697039 | 2 | Bushing | 3 | DA5421009 | 1 | Valve Plug |
| 1C | B1016803 | 4 | O-ring | 4 | DA4390118 | 2 | Filter |
| 1D | DA5422110 | 1 | Comp. Spring | 6 | DA4405900 | 1 | Solenoid Assembly (115V) |
| 1E | CH279044 | 2 | Glyd Ring | | DA5714900 | 1 | Solenoid Assembly (220V) |
| 1F | DA3698290 | 3 | Seat Spacer | 9 | PA1417027 | 1 | Set Screw |
| 1G | DC862949 | 1 | Poppet Set | 13 | B1011803 | 3 | O-Ring |
| 1H | B1002503 | 2 | O-Ring | | | | |

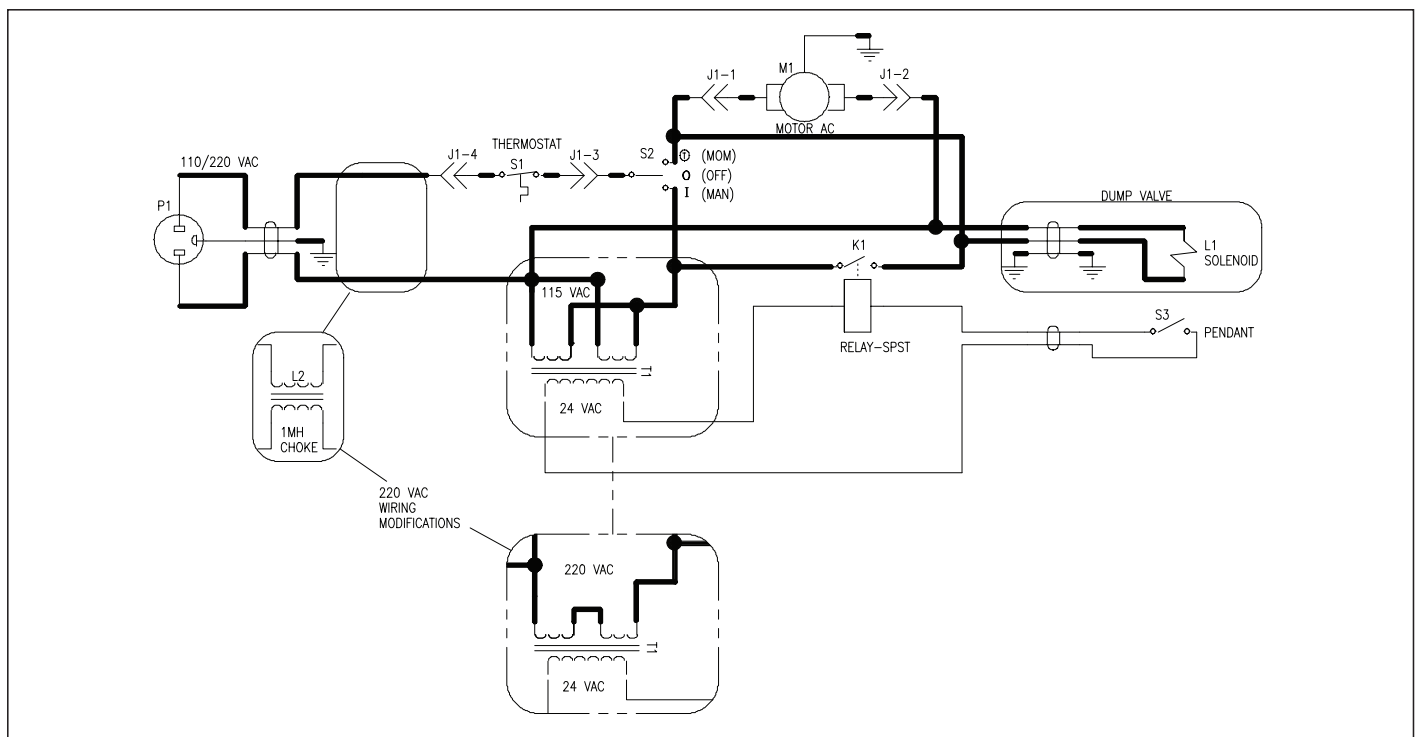


Figure 11, Electrical Schematic

| Figure | Item No. | Torque Specification and/or Assembly Notes |
|--------|----------|--|
| 1 | 18 | Apply 1 drop Loctite #242 to threads. Torque to 12 to 18 in-lbs (1,4 to 2,0 Nm). |
| 1 | 154 | Torque to 27-31 in-lbs (3,1 to 3,5 Nm). |
| 1 | Note 1 | Install bearing, Item 117, flush to 0.010" (2,54 mm) recessed from surface. |
| 2 | 10 | Trim wire length to 9 to 10 inches (228 - 254 mm) before attaching pins (item 10). Then insert into item 24. |
| 2 | 15 | Torque to 27 to 31 in-lbs, (3,1 to 3,5 Nm). |
| 3 | 123 | Torque to 15 to 16 ft-lbs (20,0 to 21,7 Nm) lubricated. |
| 3 | 130,131 | Torque to 15 to 20 ft-lbs (20 to 27 Nm). |
| 4 | 15 | Torque to 27-31 in-lbs (3,1 to 3,5 Nm). |
| 4 | 109 | Torque to 14 to 16 ft-lbs, dry (19,0 to 21,7 Nm). |
| 4 | 121 | Torque to 16-19 ft-lbs, dry (21,7 to 25,8 Nm). |
| 4 | 143 | Align tube to face mesh and splash lubricate upper needle bearing. |
| 4 | 146 | Seat must be coined prior to assembly. |
| 4 | 148 | Assemble with Loctite #545. |
| 4 | 150 | Relief valve setting should be from 250 to 400 psi (17,3 to 27,9 bar). |
| 4 | 190 | Assemble with Loctite #609. |
| 4 | Note 2 | Stake threads after setting pressure. |
| 6 | 149 | Torque to 8 to 10 ft-lbs (10,8 to 13,5 Nm). |
| 6 | 5 | Torque to 47-53 in-lbs (5,3 to 6,0 Nm). Use Loctite #242 on item #5. |
| 6 | 8 | Torque to 9-12 in-lbs (1,0-1,3 Nm). |
| 6 | 24 | Attach to receptacle on shroud. |

Enerpac Worldwide Locations

◆ e-mail: info@enerpac.com

◆ internet: www.enerpac.com

Africa

ENERPAC Middle East FZE
Office 423, JAFZA 15
P.O. Box 18004
Jebel Ali, Dubai
United Arab Emirates
Tel: +971 (0)4 8872686
Fax: +971 (0)4 8872687

Australia, New Zealand Actuant Australia Ltd.

Block V Unit 3
Regents Park Estate
391 Park Road
Regents Park NSW 2143
(P.O. Box 261) Australia
Tel: +61 297 438 988
Fax: +61 297 438 648

Brazil

Power Packer do Brasil Ltda.
Rua dos Inocentes, 587
04764-050 - Sao Paulo (SP)
Tel: +55 11 5687 2211
Fax: +55 11 5686 5583
Toll Free in Brazil:
Tel: 0800 891 5770
vendasbrasil@enerpac.com

Canada

Actuant Canada Corporation
6615 Ordan Drive, Unit 14-15
Mississauga, Ontario L5T 1X2
Tel: +1 905 564 5749
Fax: +1 905 564 0305
Toll Free:
Tel: +1 800 268 4987
Fax: +1 800 461 2456
Technical Inquiries:
techservices@enerpac.com

China

Actuant Industries Co. Ltd.
No. 6 Nanjing Road
Taicang Economic Dep Zone
Jiangsu, China
Tel: +86 0512 5328 7529
+86 0512 5328 7500 7529
Fax: +86 0512 5335 9690

Actuant China Ltd. (Peking)

709B Diyang Building
Xin No. 2
Dong San Huan North Rd.
Beijing City
100028 China
Tel: +86 10 845 36166
Fax: +86 10 845 36220

France, Switzerland francophone

ACTUANT - ENERPAC
France S.A., ZA de Courtaboeuf
32, avenue de la Baltique
91140 Villebon / Yvette
France
Tel: +33 1 60 13 68 68
Fax: +33 1 69 20 37 50

Germany, Austria, Switzerland, Greece, Baltic States, Central and Eastern Europe

ENERPAC GmbH
P.O. Box 300113
D-40401 Düsseldorf
Willstätterstrasse13
D-40549 Düsseldorf
Germany
Tel: +49 211 471 490
Fax: +49 211 471 49 28

India

ENERPAC Hydraulics
(India) Pvt. Ltd.
No. 1A,
Peenya Industrial Area,
IInd Phase
Bangalore, 560 058 India
Tel: +91 80 40 792 777
Fax: +91 80 40 792 792

Italy

ENERPAC S.p.A.
Via Canova 4
20094 Corsico (Milano)
Tel: +39 02 4861 111
Fax: +39 02 4860 1288

Japan

Applied Power Japan LTD KK
Besshochou 85-7
Kita-ku,
Saitama-shi 331-0821
Japan
Tel: +81 48 662 4911
Fax: +81 48 662 4955

Middle East, Turkey and Caspian Sea

ENERPAC Middle East FZE
Office 423, JAFZA 15
P.O. Box 18004
Jebel Ali, Dubai
United Arab Emirates
Tel: +971 (0)4 8872686
Fax: +971 (0)4 8872687

Russia and CIS (excl. Caspian Sea Countries)

Actuant LLC
Admiral Makarov Street 8
125212 Moscow, Russia
Tel: +7-495-9809091
Fax: +7-495-9809092

Sweden, Denmark, Norway, Finland and Iceland

ENERPAC Scandinavia AB
Fabriksgatan 7
412 50 Gothenburg
Sweden
Tel: +46 31 7990281
Fax: +46 31 7990010
scandinavianinquiries@enerpac.com

Singapore

Actuant Asia Pte. Ltd.
37C, Benoi Road Pioneer Lot,
Singapore 627796
Tel: +65 68 63 0611
Fax: +65 64 84 5669
Toll Free: +1800 363 7722
Technical Inquiries:
tech.service-sg@enerpac.com

South Korea

Actuant Korea Ltd.
3Ba 717,
Shihwa Industrial Complex
Jungwang-Dong, Shihung-Shi,
Kyunggi-Do
Republic of Korea 429-450
Tel: +82 31 434 4506
Fax: +82 31 434 4507

Spain and Portugal

ENERPAC SPAIN, S.L.
Avda. Los Frailes, 40 – Nave C
& D
Pol. Ind. Los Frailes
28814 DAGANZO DE ARRIBA
(Madrid)
Spain
Tel: +34 91 884 86 06
Fax: +34 91 884 86 11

Sweden, Denmark, Norway, Finland and Iceland

Enerpac Scandinavia AB
Fabriksgatan 7
412 50 Gothenburg
Sweden
Tel: +46 (0) 31 7990281
Fax: +46 (0) 31 7990010
Inquiries:
Scandinavianinquiries@enerpac.com

The Netherlands, Belgium, Luxembourg

ENERPAC B.V.
Galvanistraat 115, 6716 AE Ede
P.O. Box 8097, 6710 AB Ede
The Netherlands
Tel: +31 318 535 800
Fax: +31 318 525 613
+31 318 535 848
beneluxinquiries@enerpac.com
Technical Inquiries Europe:
techsupport.europe@enerpac.com

United Kingdom, Ireland Enerpac Ltd

Bentley Road South
Darlaston, West Midlands
WS10 8LQ, United Kingdom
Tel: +44 (0)121 50 50 787
Fax: +44 (0)121 50 50 799

USA, Latin America and Caribbean

ENERPAC
P.O. Box 3241
6100 N. Baker Road
Milwaukee, WI 53209 USA
Tel: +1 262 781 6600
Fax: +1 262 783 9562

User inquiries:
+1 800 433 2766
Inquiries/orders:
+1 800 558 0530

Technical Inquiries:
techservices@enerpac.com

ENERPAC

704 W. Simonds
Dallas, TX 75159 USA
Tel: +1 972 287 2390
Fax: +1 972 287 4469

09/30/09

All Enerpac products are guaranteed against defects in workmanship and materials for as long as you own them. For your nearest authorized Enerpac Service Center, visit us at www.enerpac.com