

L1762 Rev. F 10/08

RRH-1001: For Date Codes Beginning with the Letter "D"
RCH-1003, RRH-1003, RRH-1006, RRH10010: For Date Codes Beginning with the Letter "E"



WARNING: STOP-RING ON RCH-1003 IS SPRING LOADED! If not contained during disassembly, spring and stop-ring could cause personal injury.

To Protect Your Warranty, Use Only ENERPAC Hydraulic Oil.

Enerpac recommends that all kit components be installed to insure optimum performance of the repaired product.

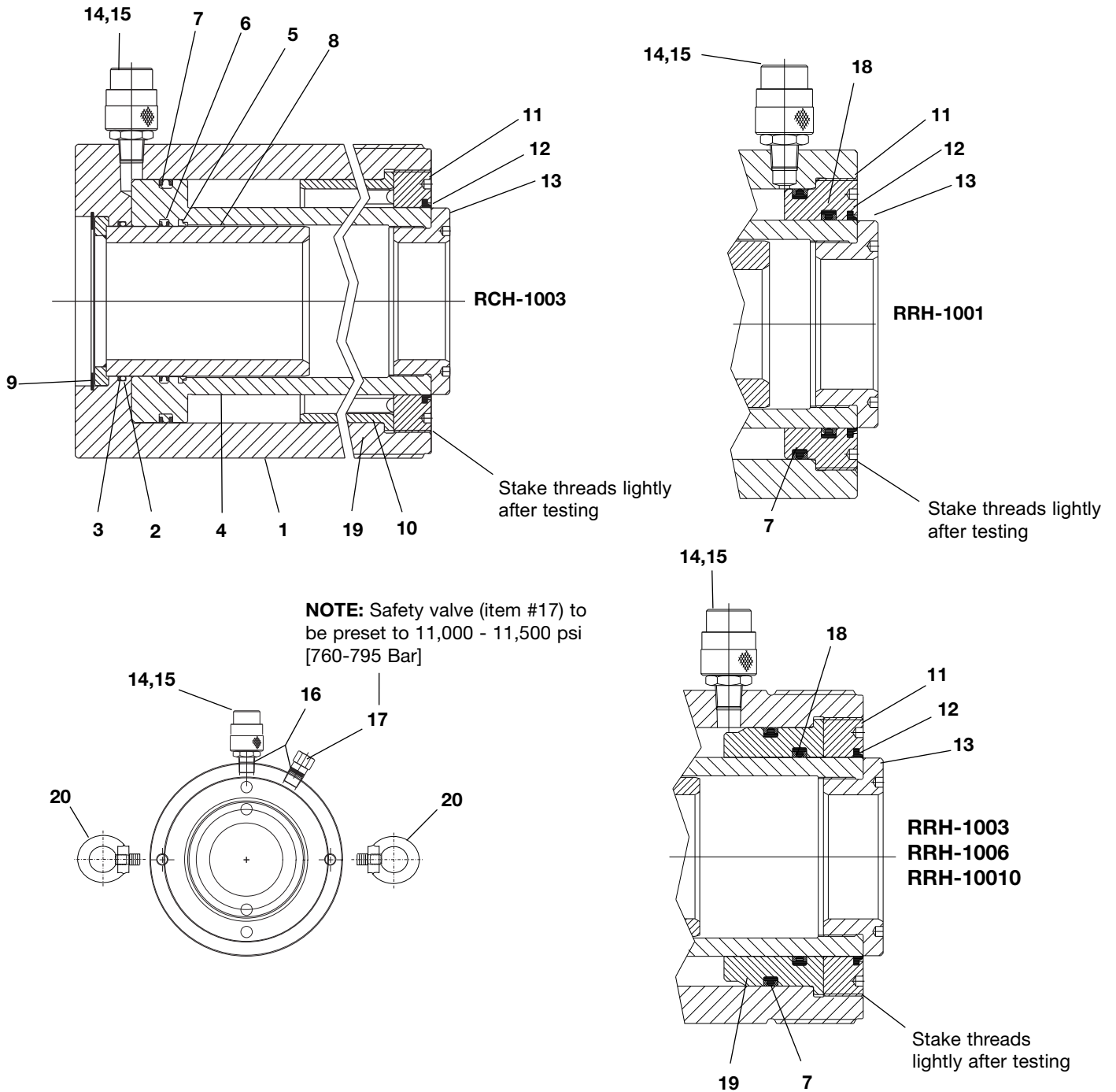


Figure 1, 100-Ton Hollow Cylinders

Item	Part Number					Qty.	Description
	RCH-1003	RRH-1001	RRH-1003	RRH-1006	RRH-10010		
1	DA4249030	DA4329030	DA4249030	DA4784030	DA4314030	1	Cylinder
2	★ B1108503	★ B1108503	★ B1108503	★ B1108503	★ B1108503	1	O-Ring
3	★ DA4989566	★ DA4989566	★ DA4989566	★ DA4989566	★ DA4989566	1	Back-Up Ring
4	DA4250040	DA4328040	DA4250040	DA4785040	DA4315040	1	Plunger
5	★ CF89044	★ CF89044	★ CF89044	★ CF89044	★ CF89044	1	Wiper Ring
6	★ B1345514	★ B1345514	★ B1345514	★ B1345514	★ B1345514	1	G-T Ring Assembly
7	★ B1437513	★ B1437513	★ B1437513	★ B1437513	★ B1437513	2	G-T Ring Assembly (RCH-1003 use 1)
8	DA4247900	DA4326900	DA4247900	DA4797900	DA4313900	1	Center Tube
9	★ DA4270249	★ DA4270249	★ DA4270249	★ DA4270249	★ DA4270249	1	Retaining Ring
10	DA4265110	-----	-----	-----	-----	1	Spring
11	DA4248044	DA4327044	DA4248044	DA4248044	DA4248044	1	Stop Ring
12	★ G316044	★ G316044	★ G316044	★ G316044	★ G316044	1	Wiper Ring
13	DA4244045	DA4244045	DA4244045	DA4244045	DA4244045	1	Saddle
14	CR400	CR400	CR400	CR400	CR400	2	Coupler (RCH-1003 use 1)
15	CD411	CD411	CD411	CD411	CD411	2	Dust Cap (RCH-1003 use 1) (Not Shown)
16	A1009245	-----	-----	-----	-----	2	Plug (RCH Models Only)
17	-----	CJ160900W	CJ160900W	CJ160900W	CJ160900W	1	Relief Valve Assembly
18	-----	★ B1429514	★ B1429514	★ B1429514	★ B1429514	1	G-T Ring Assembly
19	DA4591268	-----	DA4311044	DA4311044	DA4311044	1	Stop Tube, Inner Stop Ring
20	BSS6355D	-----	BSS6355D	BSS6355D	BSS6355D	2	Eyebolt
	RCH1003K4	RRH1001K4	RRH1001K4	RRH1001K4	RRH1001K4	1	Repair Kit

★ Indicates items included in, and available only in Repair Kit listed above.

Enerpac Worldwide Locations

Africa
ENERPAC Middle East FZE
Office 423, JAFZA 15
P.O. Box 18004
Jebel Ali, Dubai
United Arab Emirates
Tel: +971 (0)4 8872686
Fax: +971 (0)4 8872687

Australia, New Zealand
Actuant Australia Ltd.
Block V Unit 3
Regents Park Estate
391 Park Road
Regents Park NSW 2143
(P.O. Box 261) Australia
Tel: +61 297 438 988
Fax: +61 297 438 648

Brazil
Power Packer do Brasil Ltda.
Rua dos Inocentes, 587
04764-050 - Sao Paulo (SP)
Tel: +55 11 5687 2211
Fax: +55 11 5686 5583
Toll Free in Brazil:
Tel: 0800 891 5770
vendasbrasil@enerpac.com

Canada
Actuant Canada Corporation
6615 Ordan Drive, Unit 14-15
Mississauga, Ontario L5T 1X2
Tel: +1 905 564 5749
Fax: +1 905 564 0305
Toll Free:
Tel: +1 800 268 4987
Fax: +1 800 461 2456
Technical Inquiries:
techservices@enerpac.com

China
Actuant China Ltd.
1F, 269 Fute N. Road
Waigaoqiao Free Trade Zone
Pudong New District
Shanghai, 200 131 China
Tel: +86 21 5866 9099
Fax: +86 21 5866 7156

Actuant China Ltd. (Beijing)
709B Diyang Building
Xin No. 2
Dong San Huan North Rd.
Beijing City
100028 China
Tel: +86 10 845 36166
Fax: +86 10 845 36220

Central and Eastern Europe, Greece
ENERPAC GmbH
P.O. Box 300113
D-40401 Düsseldorf
Willstätterstrasse13
D-40549 Düsseldorf
Germany
Tel: +49 211 471 490
Fax: +49 211 471 49 28

France, Switzerland francophone
ACTUANT - ENERPAC
France S.A., ZA de Courtaboeuf
32, avenue de la Baltique
91140 Villebon / Yvette
France
Tel: +33 1 60 13 68 68
Fax: +33 1 69 20 37 50

Germany, Austria and Switzerland
ENERPAC GmbH
P.O. Box 300113
D-40401 Düsseldorf
Willstätterstrasse13
D-40549 Düsseldorf
Germany
Tel: +49 211 471 490
Fax: +49 211 471 49 28

India
ENERPAC Hydraulics
(India) Pvt. Ltd.
Office No. 9,10 & 11,
Plot No. 56, Monarch Plaza,
Sector 11, C.B.D. Belapur
Navi Mumbai 400614, India
Tel: +91 22 2756 6090
Tel: +91 22 2756 6091
Fax: +91 22 2756 6095

◆ e-mail: info@enerpac.com

Italy
ENERPAC S.p.A.
Via Canova 4
20094 Corsico (Milano)
Tel: +39 02 4861 111
Fax: +39 02 4860 1288

Japan
Applied Power Japan Ltd.
Besshochou 85-7
Saitama-shi, Kita-ku,
Saitama 331-0821
Japan
Tel: +81 48 662 4911
Fax: +81 48 662 4955

Middle East, Turkey and Caspian Sea
ENERPAC Middle East FZE
Office 423, JAFZA 15
P.O. Box 18004
Jebel Ali, Dubai
United Arab Emirates
Tel: +971 (0)4 8872686
Fax: +971 (0)4 8872687

Russia and CIS (excl. Caspian Sea Countries)
Actuant LLC
Admiral Makarov Street 8
125212 Moscow, Russia
Tel: +7-495-9809091
Fax: +7-495-9809092

Singapore
Actuant Asia Pte. Ltd.
37C, Benoi Road Pioneer Lot,
Singapore 627796
Tel: +65 68 63 0611
Fax: +65 64 84 5669
Toll Free: +1800 363 7722
Technical Inquiries:
techsupport@enerpac.com.sg

◆ internet: www.enerpac.com

South Korea
Actuant Korea Ltd.
3Ba 717,
Shihwa Industrial Complex
Jungwang-Dong, Shihung-Shi, Kyunggi-Do
Republic of Korea 429-450
Tel: +82 31 434 4506
Fax: +82 31 434 4507

Spain and Portugal
ENERPAC
Avda. Los Frailes, 40 – Nave C & D
Pol. Ind. Los Frailesancho De Arriba
(Madrid) Spain
Tel: +34 91 661 11 25
Fax: +34 91 661 47 89

The Netherlands, Belgium, Luxembourg, Sweden, Denmark, Norway, Finland and Baltic States
ENERPAC B.V.
Galvanistraat 115, 6716 AE Ede
P.O. Box 8097, 6710 AB Ede
The Netherlands
Tel: +31 318 535 911
Fax: +31 318 525 613
+31 318 535 848

Technical Inquiries Europe:
techsupport.europe@enerpac.com

United Kingdom, Ireland
Enerpac Ltd
Bentley Road South
Darlaston, West Midlands
WS10 8LQ, United Kingdom
Tel: +44 (0)121 50 50 787
Fax: +44 (0)121 50 50 799

USA, Latin America and Caribbean
ENERPAC
P.O. Box 3241
6100 N. Baker Road
Milwaukee, WI 53209 USA
Tel: +1 262 781 6600
Fax: +1 262 783 9562

User inquiries:
+1 800 433 2766

Inquiries/orders:
+1 800 558 0530

Technical Inquiries:
techservices@enerpac.com

All Enerpac products are guaranteed against defects in workmanship and materials for as long as you own them.
For your nearest authorized Enerpac Service Center, visit us at www.enerpac.com