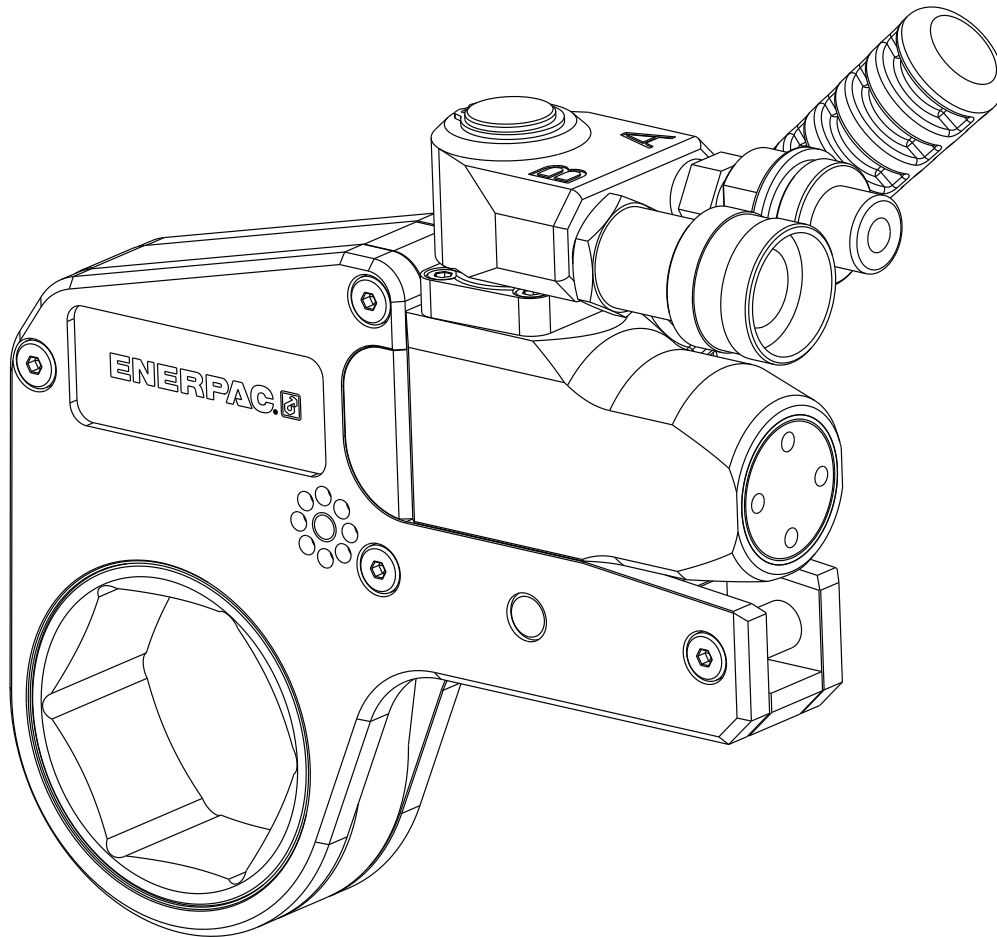


L4112 Rev. D 03/20

- For drive unit model numbers ending in "X" or "PX".
- For cassette model numbers ending in "X".

To Protect Your Warranty, Use Only ENERPAC Hydraulic Oil.

Enerpac recommends that all kit components be installed to insure optimum performance of the repaired product.

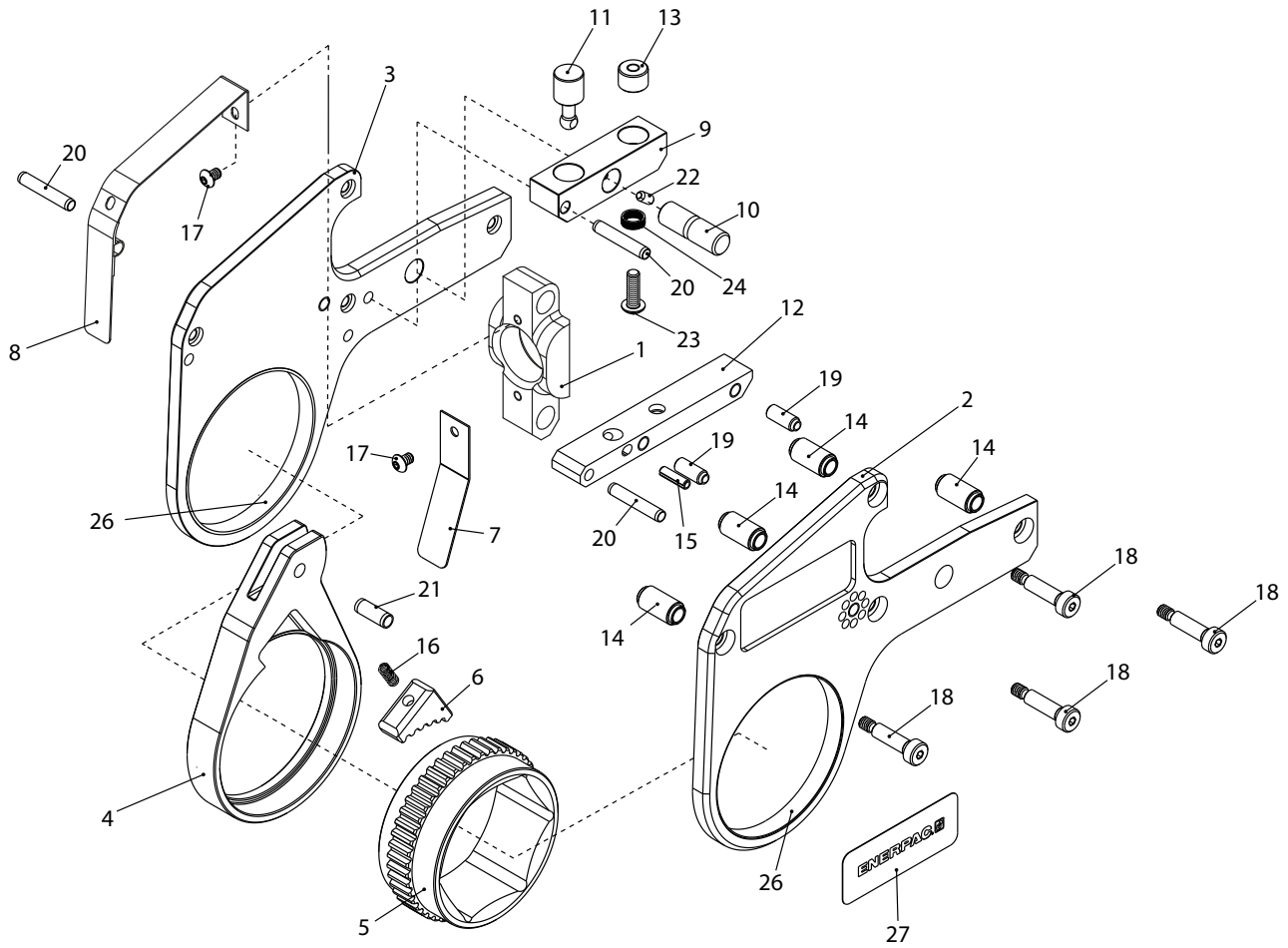


Contents:

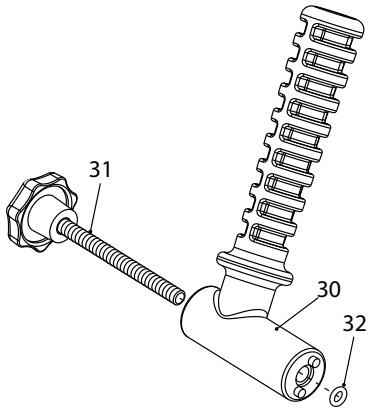
	Pages
Figure 1, Cassette Assembly	2-3
Figure 2, Ratchet Assembly and Sideplates	4-5
Figure 3, Drive Unit and Swivel Assemblies	6-7
Table 4, Carrying Cases	8

Note: Refer to the wrench instruction sheet for:

- Inspection, lubrication and maintenance instructions.
- Torque specifications for selected fasteners.



SWH6A Angled Positioning Handle Kit
(optional accessory, order separately)



SWH6S Straight Positioning Handle
(optional accessory, order separately)

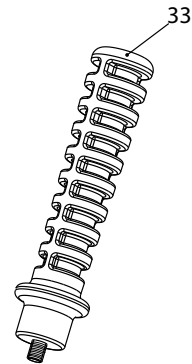


Figure 1, Cassette Assembly, W2000X Series

Repair Parts List for Figure 1

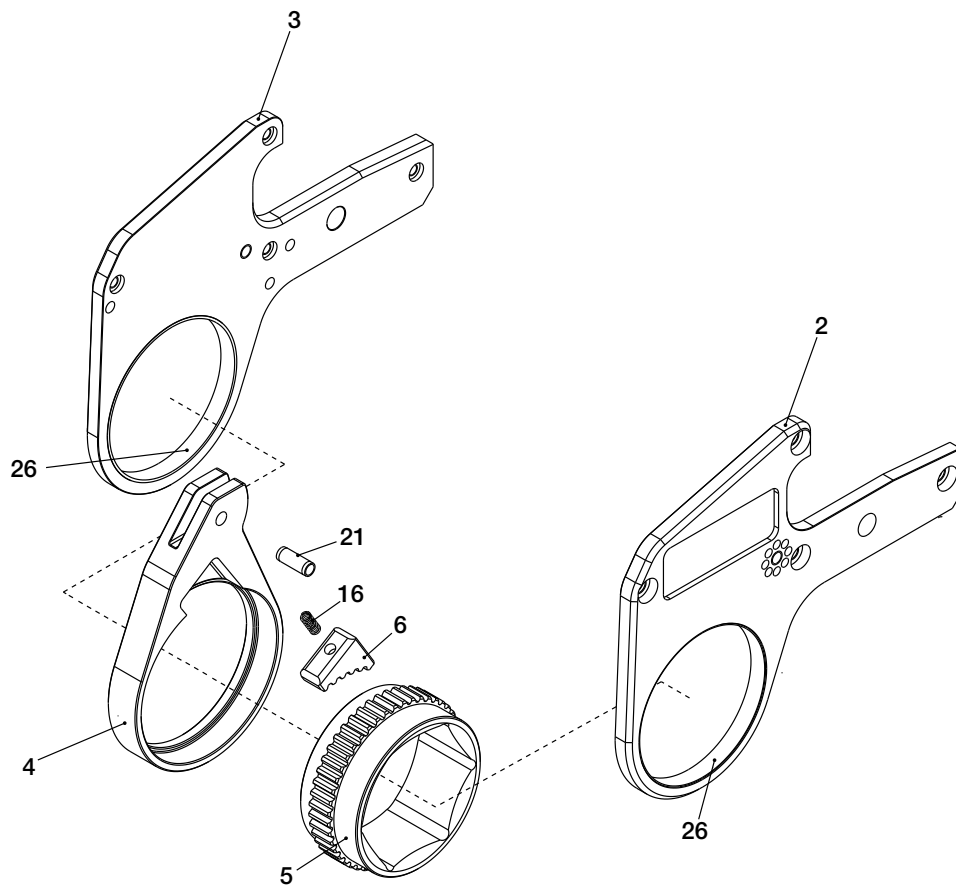
Item	Part Number	Quantity (used on wrench)	Quantity (included in each kit)								(*) Item available separately OR in kit.	Description	
			Sideplate and Bushing Kit (see Figure 2 for kit details)	Ratchet Lever and Pin Kit (see Figure 2 for kit details)	Ratchet Kit (see Figure 2 for kit details)	Drive Shoe Kit (see Figure 2 for kit details)	Head Guard Kit W2000XH GK	Safe Link Kit W2000SLKB	Cassette Hardware Kit W2000CHKB	Head Spacer Kit W2000HSK			Angled Positioning Handle Kit SWH6A
1	(Not Available)	1											Cylinder Locating Plate
2	(See Figure 2)	1	1										Sideplate, Right-Hand
3	(See Figure 2)	1	1										Sideplate, Left-Hand
4	(See Figure 2)	1		1									Ratchet Lever
5	(See Figure 2)	1			1							*	Ratchet
6	(See Figure 2)	1			1	1							Drive Shoe
7	2000117	1					1						Guard, Rear
8	2000116A	1					1						Guard, Front
9	(Not Available)	1											Pin Retainer
10	2000110A	1						1				*	Spacer Retaining Pin
11	2000109A	1						1					Cylinder Retaining Pin
12	2000114A	1											Reaction Foot
13	2000115	1						1					Fail Safe Pin
14	2000113A	4							4				Sideplate Spacer
15	CCA417057-2A	1						1					Pin, Spirol
16	E3074K	1			1	1			1			*	Spring, Compression (packet of 5)
17	CBA411028-1E	2					2		2				Screw, Button Head
18	2000129	4							4	4			Screw, Shoulder, Modified
19	E4574	2						2	2				Spring, Plunger
20	CCA527057-2A	3							3				Pin, Spirol Spring (packet of 10)
21	E4844	1		1					1			*	Pin, Spirol Spring
22	E4728	1							1				Ball Detent
23	CBA519028-1E	1						1	1				Screw, Button Head
24	E3083	1						1					Spring, Compression
26	(See Figure 2)	2	2									*	Sideplate Bushing
27	SL100154	1							2				Nameplate, Enerpac
30	DM0341070	1									1		Handle, Angled
31	DM0309147	1									1		Thumbscrew
32	E2304	1									1		O-Ring
33	SWH6S	1											Handle, Straight (optional)

Notes:

- Enerpac recommends that all kit components be installed to assure optimum performance of the repaired product.
- Item 16: Packet quantity is provided only when item is ordered separately and not included in a kit.

Note: This view contains only ratchet and sideplate parts.

- Refer to page 5 for parts kit information.
- See Figure 1 on pages 2 and 3 for the main parts list and a complete exploded view of all cassette parts.



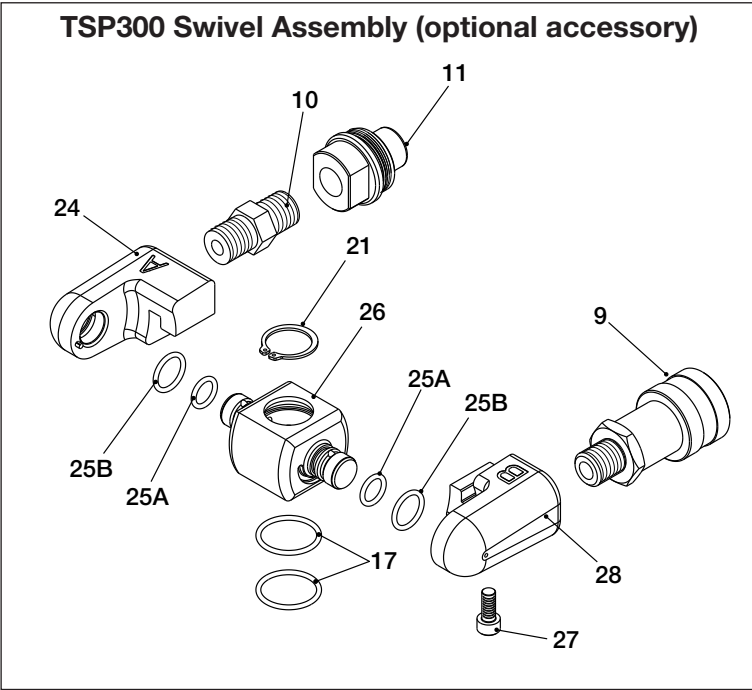
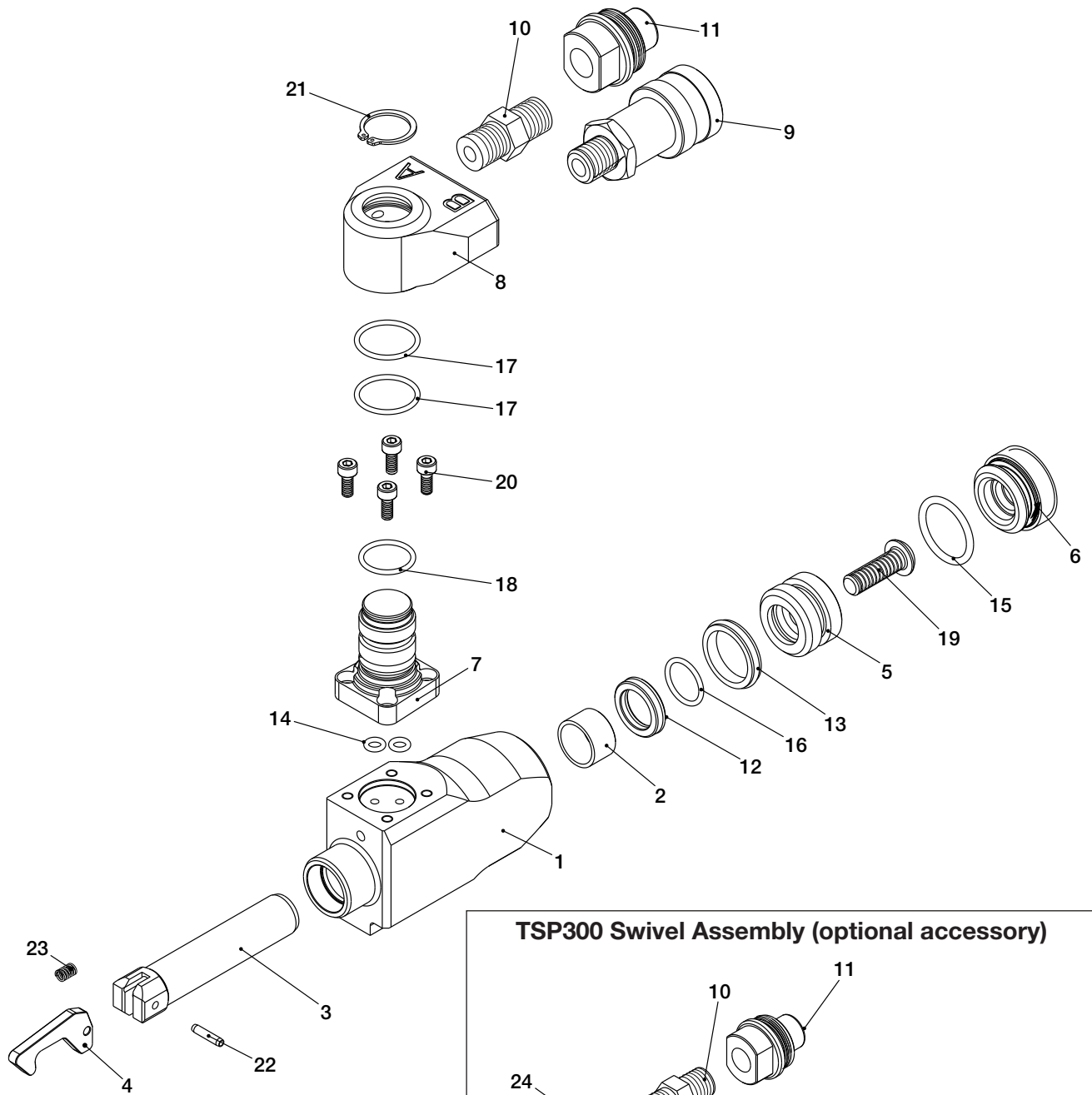
Note: Refer to the wrench instruction sheet for:

- Inspection, lubrication and maintenance instructions.
- Torque specifications for selected fasteners.

Figure 2, Ratchet Assembly and Sideplates, W2000X Series

Ratchet and Sideplate Kits for W2000X Series Cassettes - Refer to Figure 2						
Cassette Model	Part Numbers					
	Ratchet Only (Figure 2, item 5)	Drive Shoe Kit (Figure 2, items 6 and 16)	Ratchet Kit (Figure 2, items 5, 6 & 16)	Ratchet Lever and Pin Kit (Figure 2, items 4 & 21)	LH and RH Sideplates With Bushings (Figure 2, items 2, 3 & 26)	Sideplate Bushings (Figure 2, item 26)
W2101X	2000121101	W2107DSK	W2101RK	W2000220107A	W2000175107A	2000125107
W2102X	2000121102	W2107DSK	W2102RK	W2000220107A	W2000175107A	2000125107
W2103X	2000121103	W2107DSK	W2103RK	W2000220107A	W2000175107A	2000125107
W2104X	2000121104	W2107DSK	W2104RK	W2000220107A	W2000175107A	2000125107
W2105X	2000121105	W2107DSK	W2105RK	W2000220107A	W2000175107A	2000125107
W2106X	2000121106	W2107DSK	W2106RK	W2000220107A	W2000175107A	2000125107
W2107X	2000121107	W2107DSK	W2107RK	W2000220107A	W2000175107A	2000125107
W2108X	2000121108	W2110DSK	W2108RK	W2000220110A	W2000175110A	2000125110
W2109X	2000121109	W2110DSK	W2109RK	W2000220110A	W2000175110A	2000125110
W2110X	2000121110	W2110DSK	W2110RK	W2000220110A	W2000175110A	2000125110
W2042MX	2000121042M	W2113DSK	W2042MRK	W2000220113A	W2000175113A	2000125113
W2111X	2000121111	W2113DSK	W2111RK	W2000220113A	W2000175113A	2000125113
W2112X	2000121112	W2113DSK	W2112RK	W2000220113A	W2000175113A	2000125113
W2113X	2000121113	W2113DSK	W2113RK	W2000220113A	W2000175113A	2000125113
W2114X	2000121114	W2200DSK	W2114RK	W2000220200A	W2000175200A	2000125200
W2115X	2000121115	W2200DSK	W2115RK	W2000220200A	W2000175200A	2000125200
W2200X	2000121200	W2200DSK	W2200RK	W2000220200A	W2000175200A	2000125200
W2201X	2000121201	W2203DSK	W2201RK	W2000220203A	W2000175203A	2000125203
W2202X	2000121202	W2203DSK	W2202RK	W2000220203A	W2000175203A	2000125203
W2203X	2000121203	W2203DSK	W2203RK	W2000220203A	W2000175203A	2000125203
W2204X	2000121204	W2206DSK	W2204RK	W2000220206A	W2000175206A	2000125206
W2205X	2000121205	W2206DSK	W2205RK	W2000220206A	W2000175206A	2000125206
W2206X	2000121206	W2206DSK	W2206RK	W2000220206A	W2000175206A	2000125206

Note: Enerpac recommends that all kit and subassembly components be installed to assure optimum performance of the repaired product.



Notes:

- Refer to page 7 for parts kit information.
- Drive units with model numbers ending in "PX" are factory equipped with the TSP300 Swivel Assembly.

Refer to the wrench instruction sheet for:

- Inspection, lubrication and maintenance instructions.
- Torque specifications for selected fasteners.

Figure 3, Drive Unit and Swivel Assemblies, W2000X Series

Repair Parts List for Figure 3

Item	Part Number	Quantity (used on drive unit)		Quantity (included in each kit)						(*) Item available seperately OR in kit.	Description	
		Model W2000X	Model W2000PX	Seal Kit, W2000X Series W2000XSK	Retract Link Kit W2000RLK	Drive Unit Rebuild Kit W2000DRK	Swivel Manifold Seal Kit TSP300MSK	Swivel Post and Manifold Kit SP300MKA (For Standard Swivel)	Swivel Manifold Kit TSP300 (For TSP300 Swivel)			Swivel Post and Manifold Kit TSP300MKA (For TSP300 Swivel)
1	(Not Available)	1	1									Cylinder Body (housing)
2	2000106A	1	1			1						Cylinder Bushing
3	2000104	1	1			1						Piston Rod
4	2000105	1	1		1							Retract Link
5	2000103	1	1			1						Piston
6	2000102	1	1			1						Cylinder Gland
7	W4000126	1	1					1		1	*	Swivel Manifold Post (small)
8	SP300101	1	---					1			*	Swivel Manifold Block (non-tilt)
9	TR630	1	1					1	1	1		Coupling, 10,000 PSI Screw-On
10	FZ1608	1	1					1	1	1		Adaptor, Hex 10,000 PSI
11	TH630	1	1					1	1	1		Nipple, 10,000 PSI Screw-On
12	E2334	1	1	1								Seal, Rod
13	E2314	1	1	1								Seal, T-Piston w/Back Up Rings
14	E2304K	2	2	2			2	2		2	*	O-Ring
15	E2316	1	1	1								O-Ring
16	E2237	1	1	1								O-Ring
17	E2240	2	2	2			2	2	2	2		O-Ring
18	E2238	1	1	1			1	1	1	1		O-Ring
19	CBA823028-1E	1	1			1						Screw, Button Head
20	CCA415028-1A	4	4					4		4		Swivel Manifold Retaining Bolt
21	E4856	1	1	1			1	1	1	1		Retainer Ring, Circlip
22	CCA317057-2A	1	1		1							Pin, Spirol Spring
23	E3074K	1	1		1						*	Spring, Compression (packet of 5)
24	TSP300101	---	1						1	1		Swivel Arm, Pressure A
25A	E2235	---	2				2		2	2		O-Ring, Double Swivel (small)
25B	E2173	---	2				2		2	2		O-Ring, Double Swivel (large)
26	TSP300103	---	1						1	1		Manifold Block, Double Swivel
27	E4650	---	1				1		1	1		Capscrew, Swivel Arm
28	TSP300102	---	1						1	1		Swivel Arm, Return B

- Notes:**
- Enerpac recommends that all kit components be installed to assure optimum performance of the repaired product.
 - Item 16: Packet quantity is provided only when item is ordered separately and not included in a kit.

Repair Parts Table 4 for Hydraulic Torque Wrench Case			
Item	Part Number	Qty.	Description
1	M2050	1	Carrying Case, Drive Unit, W2000X
2	M2050	1	Carrying Case, Cassette, W2000X

NOTES:

NOTES:

A large rectangular box with a thin black border, containing 20 horizontal lines for writing notes. The lines are evenly spaced and span the width of the box.

