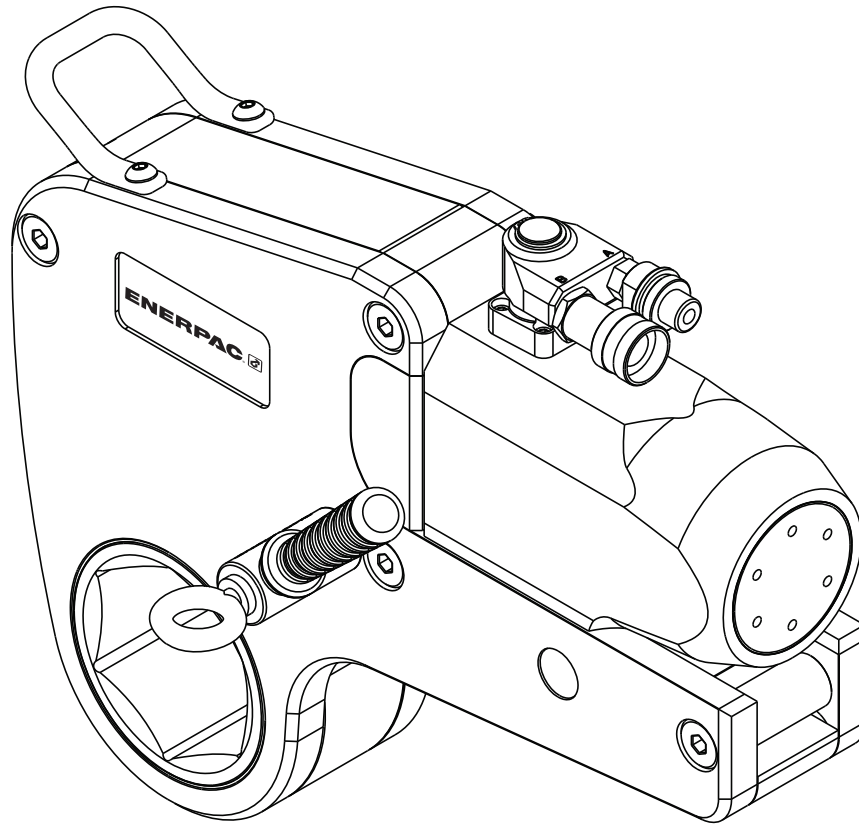


L4133 Rev. D 03/20

- For drive unit model numbers ending in "X" or "PX".
- For cassette model numbers ending in "X".

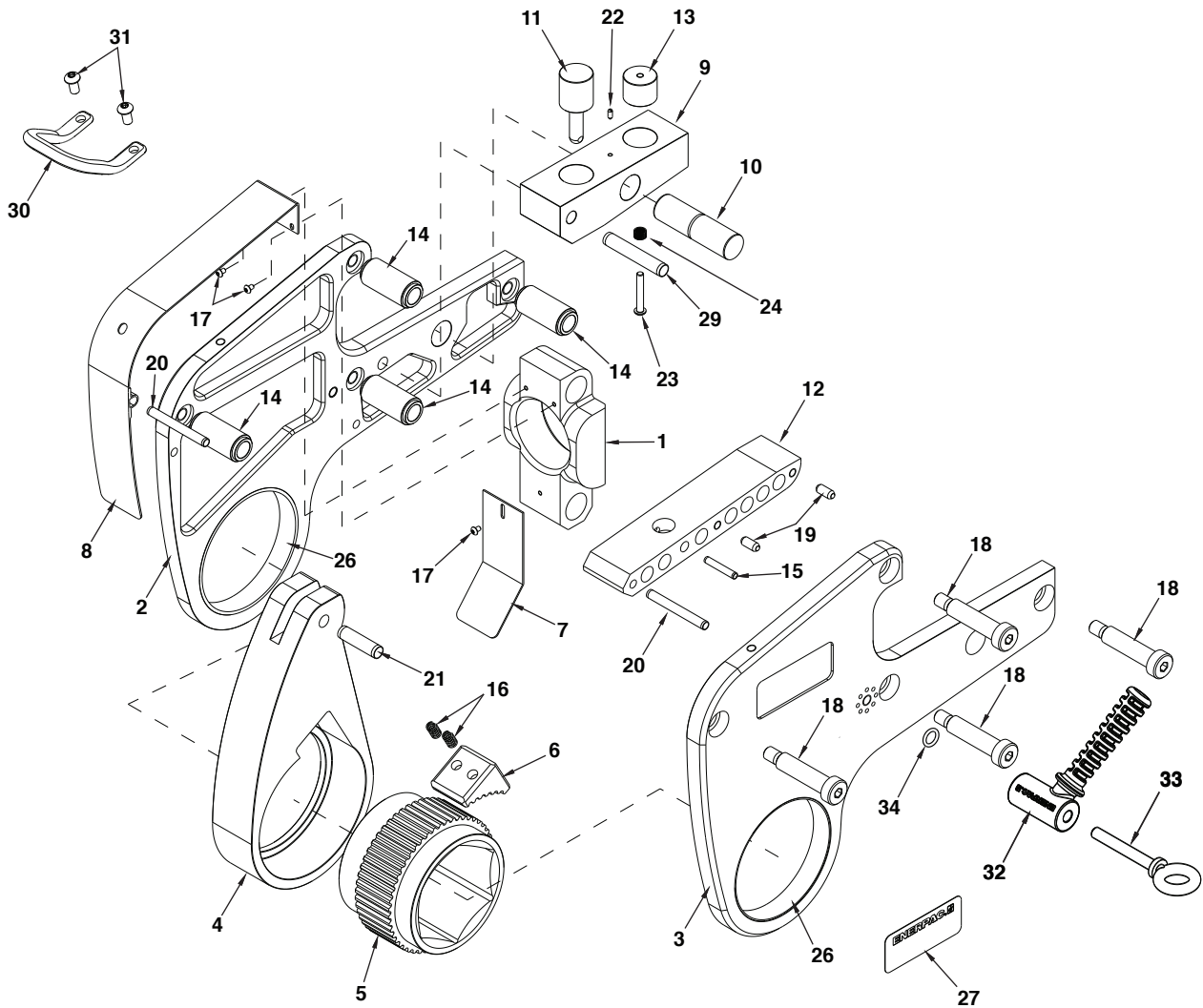
**To Protect Your Warranty, Use Only ENERPAC Hydraulic Oil.**

Enerpac recommends that all kit components be installed to insure optimum performance of the repaired product.



#### Contents:

|   | <b>Pages</b> |
|---|--------------|
| Figure 1, Cassette Assembly . . . . .               | .2-3         |
| Figure 2, Ratchet Assembly and Sideplates . . . . . | .4-5         |
| Figure 3, Drive Unit and Swivel Assembly . . . . .  | .6-7         |
| Table 4, Carrying Cases . . . . .                   | 8            |



**Note:** See page 3 for parts kits.

Figure 1, Cassette Assembly, W22000X Series

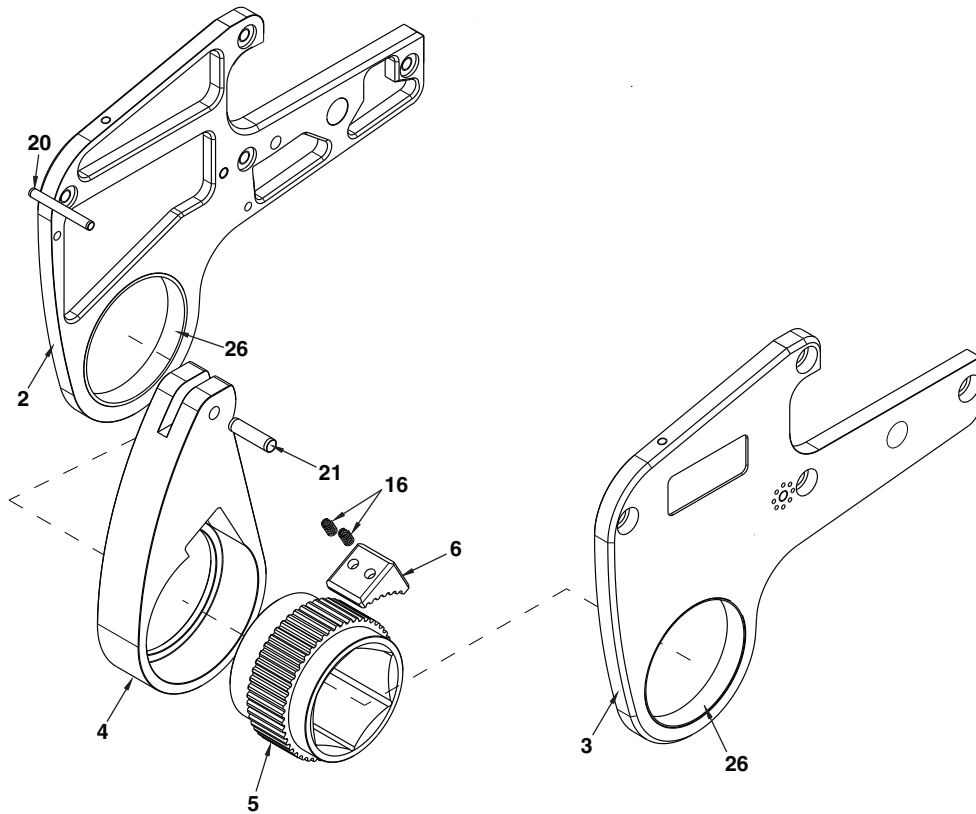
### Repair Parts List for Figure 1

| Item | Part Number     | Qty. | Parts Kits                               |  |                            |                                    |                         |                                 |                          |                               | Available as individual item. | Description |                                    |
|------|-----------------|------|--|--|----------------------------|------------------------------------|-------------------------|---------------------------------|--------------------------|-------------------------------|-------------------------------|-------------|------------------------------------|
|      |                 |      | Sideplate and Bushing Kit (see Figure 2) | Ratchet Lever and Pin Kit (see Figure 2) | Ratchet Kit (see Figure 2) | Head Guard / Spacer Kit W22000HGSK | Safe Link Kit W22000SLK | Cassette Hardware Kit W22000CHK | Top Handle Kit W22000THK | Large Side Handle Kit SWH10EA |                               |             |                                    |
| 1    | (Not Available) | 1    |  |  |                            |                                    |                         |                                 |                          |                               |                               |             | Cylinder Locating Plate            |
| 2    | (See Figure 2)  | 1    | •  |  |                            |                                    |                         |                                 |                          |                               |                               |             | RH Sideplate                       |
| 3    | (See Figure 2)  | 1    | •  |  |                            |                                    |                         |                                 |                          |                               |                               |             | LH Sideplate                       |
| 4    | (See Figure 2)  | 1    |  | •  |                            |                                    |                         |                                 |                          |                               |                               |             | Ratchet Lever                      |
| 5    | (See Figure 2)  | 1    |  |  | •                          |                                    |                         |                                 |                          |                               |                               | *           | Ratchet                            |
| 6    | (See Figure 2)  | 1    |  |  | •                          |                                    |                         |                                 |                          |                               |                               |             | Drive Shoe                         |
| 7    | 22000117        | 1    |  |  |                            | •                                  |                         |                                 |                          |                               |                               |             | Guard, Rear                        |
| 8    | 22000116        | 1    |  |  |                            | •                                  |                         |                                 |                          |                               |                               |             | Guard, Front                       |
| 9    | (Not Available) | 1    |  |  |                            |                                    |                         |                                 |                          |                               |                               |             | Pin Retainer                       |
| 10   | 22000110        | 1    |  |  |                            |                                    |                         | •                               |                          |                               |                               |             | Spacer Retaining Pin               |
| 11   | 22000109        | 1    |  |  |                            |                                    |                         | •                               |                          |                               |                               |             | Cylinder Retaining Pin             |
| 12   | 22000114        | 1    |  |  |                            |                                    |                         |                                 |                          |                               |                               | *           | Reaction Foot                      |
| 13   | 22000115        | 1    |  |  |                            |                                    |                         | •                               |                          |                               |                               |             | Fail Safe Pin                      |
| 14   | 22000113        | 4    |  |  |                            | •                                  |                         |                                 |                          |                               |                               |             | Sideplate Spacer                   |
| 15   | E4838K          | 1    |  |  |                            |                                    |                         | •                               | •                        |                               |                               | *           | Pin, Spirol (packet of 5)          |
| 16   | E3106K          | 2    |  |  | •                          |                                    |                         |                                 | •                        |                               |                               | *           | Spring, Compression (packet of 10) |
| 17   | CBA411028-1E    | 3    |  |  |                            | •                                  |                         |                                 | •                        |                               |                               |             | Screw, Button Head                 |
| 18   | E4436           | 4    |  |  |                            | •                                  |                         |                                 | •                        |                               |                               |             | Screw, Shoulder, Modified          |
| 19   | E4584           | 2    |  |  |                            |                                    |                         | •                               | •                        |                               |                               |             | Spring, Plunger                    |
| 20   | E4611K          | 2    |  |  |                            | •                                  |                         |                                 | •                        |                               |                               | *           | Pin, Spirol Spring (packet of 10)  |
| 21   | E4841K          | 1    |  | •  |                            |                                    |                         |                                 | •                        |                               |                               | *           | Pin, Spirol Spring (packet of 5)   |
| 22   | E4728           | 1    |  |  |                            |                                    |                         |                                 | •                        |                               |                               |             | Ball Detent                        |
| 23   | E4612           | 1    |  |  |                            |                                    |                         | •                               | •                        |                               |                               |             | Screw, Button Head                 |
| 24   | E3087           | 1    |  |  |                            |                                    |                         | •                               |                          |                               |                               |             | Spring, Compression                |
| 26   | (See Figure 2)  | 2    | •  |  |                            |                                    |                         |                                 |                          |                               |                               | *           | Sideplate Bushing                  |
| 27   | 22000129        | 1    |  |  |                            |                                    |                         |                                 | •                        |                               |                               |             | Nameplate, Enerpac                 |
| 29   | E4840           | 1    |  |  |                            |                                    |                         |                                 | •                        |                               |                               |             | Pin, Spirol Spring                 |
| 30   | 22000128        | 1    |  |  |                            |                                    |                         |                                 |                          | •                             |                               |             | Handle, Top                        |
| 31   | CBA617028E      | 2    |  |  |                            |                                    |                         |                                 |                          | •                             |                               |             | Screw, Button Head                 |
| 32   | DM0340070       | 1    |  |  |                            |                                    |                         |                                 |                          |                               | •                             |             | Handle, Side (large)               |
| 33   | DM0219070       | 1    |  |  |                            |                                    |                         |                                 |                          |                               | •                             |             | Eyebolt, M10 Long Shank            |
| 34   | E2393           | 1    |  |  |                            |                                    |                         |                                 |                          |                               | •                             |             | O-Ring                             |

**Notes:**

- Enerpac recommends that all kit components be installed to assure optimum performance of the repaired product.
- Items 15, 16, 20 and 21: Packet quantity is provided only when item is ordered separately (not as part of a kit).

**Note:** This view contains ratchet and sideplate parts only. See Figure 1 for complete exploded view of all cassette parts.



**Note:** See page 5 for parts kits.

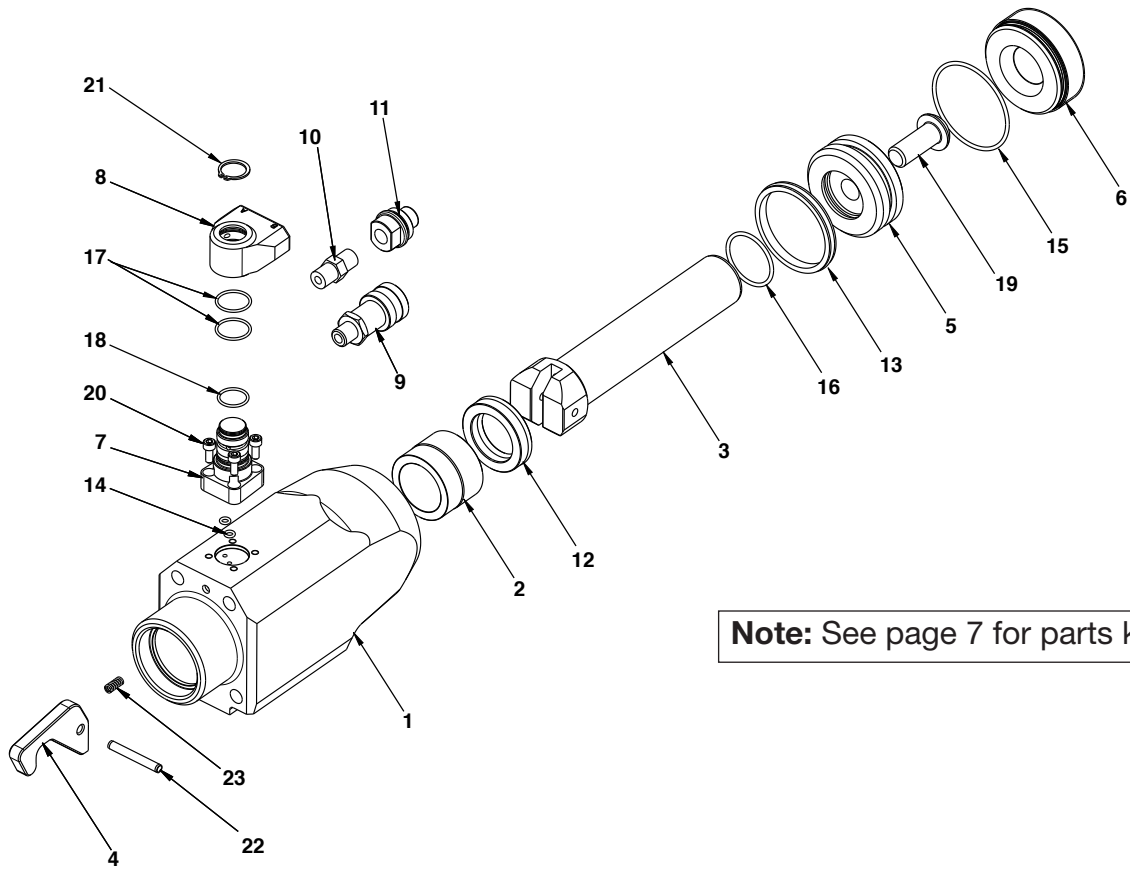
**Figure 2, Ratchet Assembly and Sideplates, W22000X Series**

## Ratchet and Sideplate Kits for W2200X Series Cassettes - Refer to Figure 2

| Cassette Model | Size     |        | Part Numbers                       |  |  |   |   |   |
|----------------|----------|--------|------------------------------------|--|--|---|---|---|
|                | Inch     | Metric | Ratchet Only<br>(Figure 2, item 5) | Drive Shoe Kit<br>(Figure 2, items 6 and 16) | Ratchet Kit<br>(Figure 2, items 5, 6 & 16) | Ratchet Lever and Pin Kit<br>(Figure 2, items 4 & 21) | LH and RH Sideplates with Bushings<br>(Figure 2, items 2, 3 & 26) | Sideplate Bushings<br>(Figure 2, item 26) |
| W22215X        | 2-15/16" | 75     | 22000121215                        | W22302DSK                                    | W22215RK                                   | 22000120302A  | W22000175302A   | 22000125302                               |
| W22300X        | 3"       | 77     | 22000121300                        | W22302DSK                                    | W22300RK                                   | 22000120302A  | W22000175302A   | 22000125302                               |
| W22301X        | 3-1/16"  | 78     | 22000121301                        | W22302DSK                                    | W22301RK                                   | 22000120302A  | W22000175302A   | 22000125302                               |
| W22302X        | 3-1/8"   | 80     | 22000121302                        | W22302DSK                                    | W22302RK                                   | 22000120302A  | W22000175302A   | 22000125302                               |
| W22303X        | 3-3/16"  | 81     | 22000121303                        | W22308DSK                                    | W22303RK                                   | 22000120308A  | W22000175308A   | 22000125308                               |
| W22304X        | 3-1/4"   | 83     | 22000121304                        | W22308DSK                                    | W22304RK                                   | 22000120308A  | W22000175308A   | 22000125308                               |
| W22305X        | 3-5/16"  | 84     | 22000121305                        | W22308DSK                                    | W22305RK                                   | 22000120308A  | W22000175308A   | 22000125308                               |
| W22085MX       | - - -    | 85     | 22000121085M                       | W22308DSK                                    | W22085MRK                                  | 22000120308A  | W22000175308A   | 22000125308                               |
| W22306X        | 3-3/8"   | 86     | 22000121306                        | W22308DSK                                    | W22306RK                                   | 22000120308A  | W22000175308A   | 22000125308                               |
| W22307IX       | 3-7/16"  | - - -  | 22000121307                        | W22308DSK                                    | W22307IRK                                  | 22000120308A  | W22000175308A   | 22000125308                               |
| W22308X        | 3-1/2"   | 89     | 22000121308                        | W22308DSK                                    | W22308RK                                   | 22000120308A  | W22000175308A   | 22000125308                               |
| W22090MX       | - - -    | 90     | 22000121090M                       | W22314DSK                                    | W22090MRK                                  | 22000120314A  | W22000175314A   | 22000125314                               |
| W22309X        | 3-9/16"  | 91     | 22000121309                        | W22314DSK                                    | W22309RK                                   | 22000120314A  | W22000175314A   | 22000125314                               |
| W22310X        | 3-5/8"   | 92     | 22000121310                        | W22314DSK                                    | W22310RK                                   | 22000120314A  | W22000175314A   | 22000125314                               |
| W22311X        | 3-11/16" | 94     | 22000121311                        | W22314DSK                                    | W22311RK                                   | 22000120314A  | W22000175314A   | 22000125314                               |
| W22312X        | 3-3/4"   | 95     | 22000121312                        | W22314DSK                                    | W22312RK                                   | 22000120314A  | W22000175314A   | 22000125314                               |
| W22313X        | 3-13/16" | 97     | 22000121313                        | W22314DSK                                    | W22313RK                                   | 22000120314A  | W22000175314A   | 22000125314                               |
| W22314X        | 3-7/8"   | 99     | 22000121314                        | W22314DSK                                    | W22314RK                                   | 22000120314A  | W22000175314A   | 22000125314                               |
| W22315X        | 3-15/16" | 100    | 22000121315                        | W22404DSK                                    | W22315RK                                   | 22000120404A  | W22000175404A   | 22000125404                               |
| W22400X        | 4"       | 102    | 22000121400                        | W22404DSK                                    | W22400RK                                   | 22000120404A  | W22000175404A   | 22000125404                               |
| W22401IX       | 4-1/16"  | - - -  | 22000121401                        | W22404DSK                                    | W22401IRK                                  | 22000120404A  | W22000175404A   | 22000125404                               |
| W22402X        | 4-1/8"   | 105    | 22000121402                        | W22404DSK                                    | W22402RK                                   | 22000120404A  | W22000175404A   | 22000125404                               |
| W22403IX       | 4-3/16"  | - - -  | 22000121403                        | W22404DSK                                    | W22403IRK                                  | 22000120404A  | W22000175404A   | 22000125404                               |
| W22404X        | 4-1/4"   | 108    | 22000121404                        | W22404DSK                                    | W22404RK                                   | 22000120404A  | W22000175404A   | 22000125404                               |
| W22405X        | 4-5/16"  | 110    | 22000121405                        | W22410DSK                                    | W22405RK                                   | 22000120410A  | W22000175410A   | 22000125410                               |
| W22406X        | 4-3/8"   | 111    | 22000121406                        | W22410DSK                                    | W22406RK                                   | 22000120410A  | W22000175410A   | 22000125410                               |
| W22407X        | 4-7/16"  | 113    | 22000121407                        | W22410DSK                                    | W2207RK                                    | 22000120410A  | W22000175410A   | 22000125410                               |
| W22408IX       | 4-1/2"   | - - -  | 22000121408                        | W22410DSK                                    | W22408IRK                                  | 22000120410A  | W22000175410A   | 22000125410                               |
| W22115MX       | - - -    | 115    | 22000121115M                       | W22410DSK                                    | W22115MRK                                  | 22000120410A  | W22000175410A   | 22000125410                               |
| W22409IX       | 4-9/16"  | - - -  | 22000121409                        | W22410DSK                                    | W22409IRK                                  | 22000120410A  | W22000175410A   | 22000125410                               |
| W22410IX       | 4-5/8"   | - - -  | 22000121410                        | W22410DSK                                    | W22410IRK                                  | 22000120410A  | W22000175410A   | 22000125410                               |
| W22412X        | 4-3/4"   | 120    | 22000121412                        | W22500DSK                                    | W22412RK                                   | 22000120500A  | W22000175500A   | 22000125500                               |
| W22123MX       | - - -    | 123    | 22000121123M                       | W22500DSK                                    | W22123MRK                                  | 22000120500A  | W22000175500A   | 22000125500                               |
| W22414X        | 4-7/8"   | 124    | 22000121414                        | W22500DSK                                    | W22414RK                                   | 22000120500A  | W22000175500A   | 22000125500                               |
| W22500X        | 5"       | 127    | 22000121500                        | W22500DSK                                    | W22500RK                                   | 22000120500A  | W22000175500A   | 22000125500                               |
| W22502X        | 5-1/8"   | 130    | 22000121502                        | W22506DSK                                    | W22502RK                                   | 22000120506A  | W22000175506A   | 22000125506                               |
| W22503IX       | 5-3/16"  | - - -  | 22000121503                        | W22506DSK                                    | W22503IRK                                  | 22000120506A  | W22000175506A   | 22000125506                               |
| W22504IX       | 5-1/4"   | - - -  | 22000121504                        | W22506DSK                                    | W22504IRK                                  | 22000120506A  | W22000175506A   | 22000125506                               |
| W22506X        | 5-3/8"   | 135    | 22000121506                        | W22506DSK                                    | W22506RK                                   | 22000120506A  | W22000175506A   | 22000125506                               |

**Notes:**

- Enerpac recommends that all kit and subassembly components be installed to assure optimum performance of the repaired product.
- Item 6 is available only as part of the Drive Shoe Kit or Ratchet Kit (not sold separately).



**Note:** See page 7 for parts kits.

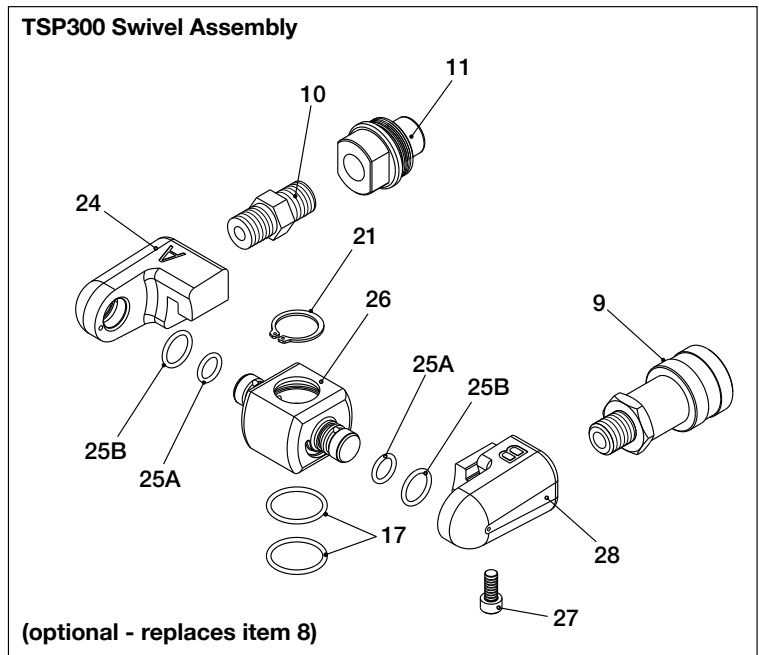


Figure 3, Drive Unit and Swivel Assembly, W22000X Series

**Repair Parts List for Figure 3**

| Item | Part Number     | Qty.    |          | Parts Kits                           |                               |   |                                  |   |   | (*) Item available separately OR in kit. | Description |   |
|------|-----------------|---------|----------|--------------------------------------|-------------------------------|---|----------------------------------|---|---|--|-------------|---|
|      |                 | W22000X | W22000PX | Drive Unit Rebuild Kit<br>W22000DRK. | Retract Link Kit<br>W22000RLK | Standard Swivel Kit with Post<br>SP300MKC | Drive Unit Seal Kit<br>W22000XSK | Swivel Manifold Seal Kit<br>TSP300MSK (For TSP300 Swivel) | Swivel and Manifold Kit<br>TSP300 (For TSP300 Swivel) |  |             | Swivel Post and Manifold Kit<br>TSP300MKC (For TSP300 Swivel) |
| 1    | (Not Available) | 1       | 1        |                                      |                               |   |                                  |   |   |  |             | Cylinder Body   |
| 2    | 22000106        | 1       | 1        | •                                    |                               |   |                                  |   |   |  |             | Cylinder Bushing  |
| 3    | 22000104        | 1       | 1        | •                                    |                               |   |                                  |   |   |  |             | Piston Rod  |
| 4    | 22000105        | 1       | 1        |                                      | •                             |   |                                  |   |   |  |             | Retract Link  |
| 5    | 22000103        | 1       | 1        | •                                    |                               |   |                                  |   |   |  |             | Piston  |
| 6    | 22000102        | 1       | 1        | •                                    |                               |   |                                  |   |   |  |             | Cylinder Gland  |
| 7    | W35000226       | 1       | 1        |                                      |                               | •   |                                  |   |   | •  | *           | Swivel Manifold Post (large)                                  |
| 8    | SP300101        | 1       | ---      |                                      |                               | •   |                                  |   |   |  | *           | Swivel Manifold Block (non-tilt)                              |
| 9    | TR630           | 1       | 1        |                                      |                               | •   |                                  |   | •   | •  | *           | Coupling, 10,000 PSI Screw-On                                 |
| 10   | FZ1608          | 1       | 1        |                                      |                               | •   |                                  |   | •   | •  | *           | Adaptor, Hex 10,000 PSI                                       |
| 11   | TH630           | 1       | 1        |                                      |                               | •   |                                  |   | •   | •  | *           | Nipple, 10,000 PSI Screw-On                                   |
| 12   | E2386           | 1       | 1        |                                      |                               |   | •                                |   |   |  |             | Seal, Rod   |
| 13   | E2039           | 1       | 1        |                                      |                               |   | •                                |   |   |  |             | Seal, T-Piston w/Back Up Rings                                |
| 14   | E2304K          | 2       | 2        |                                      |                               | •   | •                                | •   | •   | •  | *           | O-Ring<br>(packet of 10)                                      |
| 15   | E2384           | 1       | 1        |                                      |                               |   | •                                |   |   |  |             | O-Ring  |
| 16   | E2385           | 1       | 1        |                                      |                               |   | •                                |   |   |  |             | O-Ring  |
| 17   | E2240           | 2       | 2        |                                      |                               | •   | •                                | •   | •   | •  |             | O-Ring  |
| 18   | E2238           | 1       | 1        |                                      |                               | •   | •                                | •   | •   | •  |             | O-Ring  |
| 19   | E4606           | 1       | 1        | •                                    |                               |   |                                  |   |   |  |             | Screw, Button Head  |
| 20   | E4506           | 4       | 4        |                                      |                               | •   |                                  |   |   | •  |             | Swivel Manifold Retaining Bolt                                |
| 21   | E4856           | 1       | 1        |                                      |                               | •   | •                                | •   | •   | •  |             | Retainer Ring, Circlip  |
| 22   | E4839           | 1       | 1        |                                      | •                             |   |                                  |   |   |  |             | Pin, Spirol Spring  |
| 23   | E3107K          | 1       | 1        |                                      | •                             |   |                                  |   |   |  | *           | Spring, Compression<br>(packet of 5)                          |
| 24   | TSP300101       | ---     | 1        |                                      |                               |   |                                  |   | •   | •  |             | Swivel Arm, Pressure A  |
| 25A  | E2235           | ---     | 2        |                                      |                               |   | •                                | •   | •   | •  |             | O-Ring, Double Swivel (small)                                 |
| 25B  | E2173           | ---     | 2        |                                      |                               |   | •                                | •   | •   | •  |             | O-Ring, Double Swivel (large)                                 |
| 26   | TSP300103       | ---     | 1        |                                      |                               |   |                                  |   | •   | •  |             | Manifold Block, Double Swivel                                 |
| 27   | E4650           | ---     | 1        |                                      |                               |   | •                                | •   | •   | •  |             | Capscrew, Swivel Arm  |
| 28   | TSP300102       | ---     | 1        |                                      |                               |   |                                  |   | •   | •  |             | Swivel Arm, Return B  |

**Notes:** • Enerpac recommends that all kit components be installed to assure optimum performance of the repaired product.  
 • Items 14 and 23: Packet quantity is provided only when item is ordered separately (not as part of a kit).

| <b>Repair Parts Table 4 for Hydraulic Torque Wrench Case</b> |                    |             |                                    |
|--|--------------------|-------------|------------------------------------|
| <b>Item</b>  | <b>Part Number</b> | <b>Qty.</b> | <b>Description</b>                 |
| 1  | M2200              | 1           | Carrying Case, Drive Unit, W22000X |
| 2  | M2720              | 1           | Carrying Case, Cassette, W22000X   |



NOTES:

---



---



---



---



---



---



---



---



---



---



---



---



---



---



---



---



---



---



---



---



---



---



---



# NOTES:

---

---

---

---

---

---

---

---

---

---

---

---

---

---

---

---

---

---

---

---

---

---

---

---

