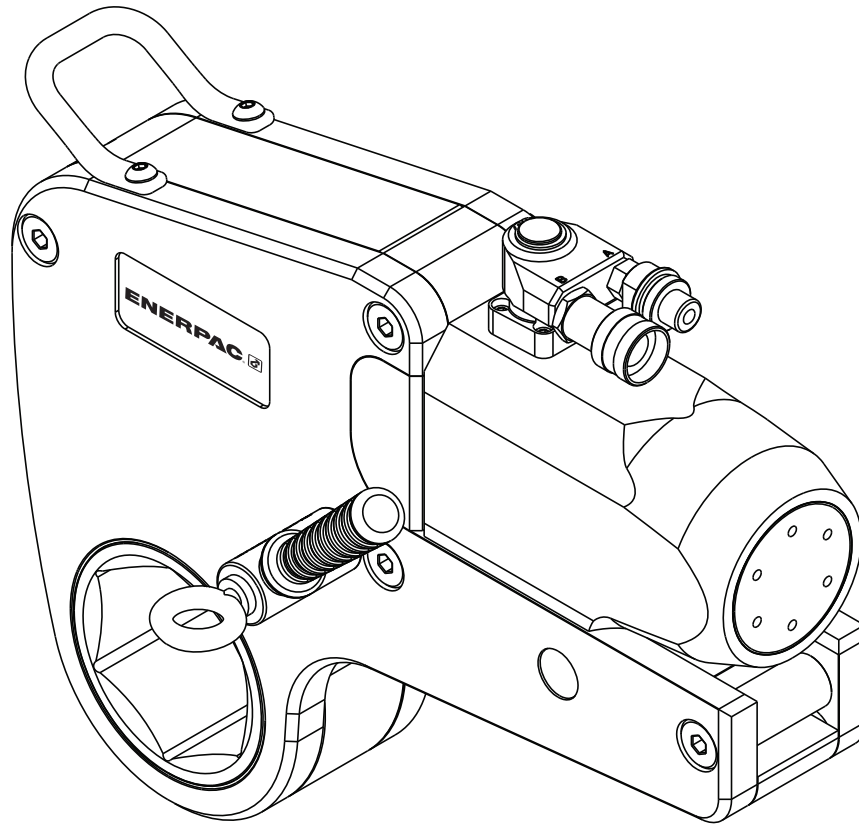


L4134 Rev. B 03/20

- For drive unit model numbers ending in "X" or "PX".
- For cassette model numbers ending in "X".

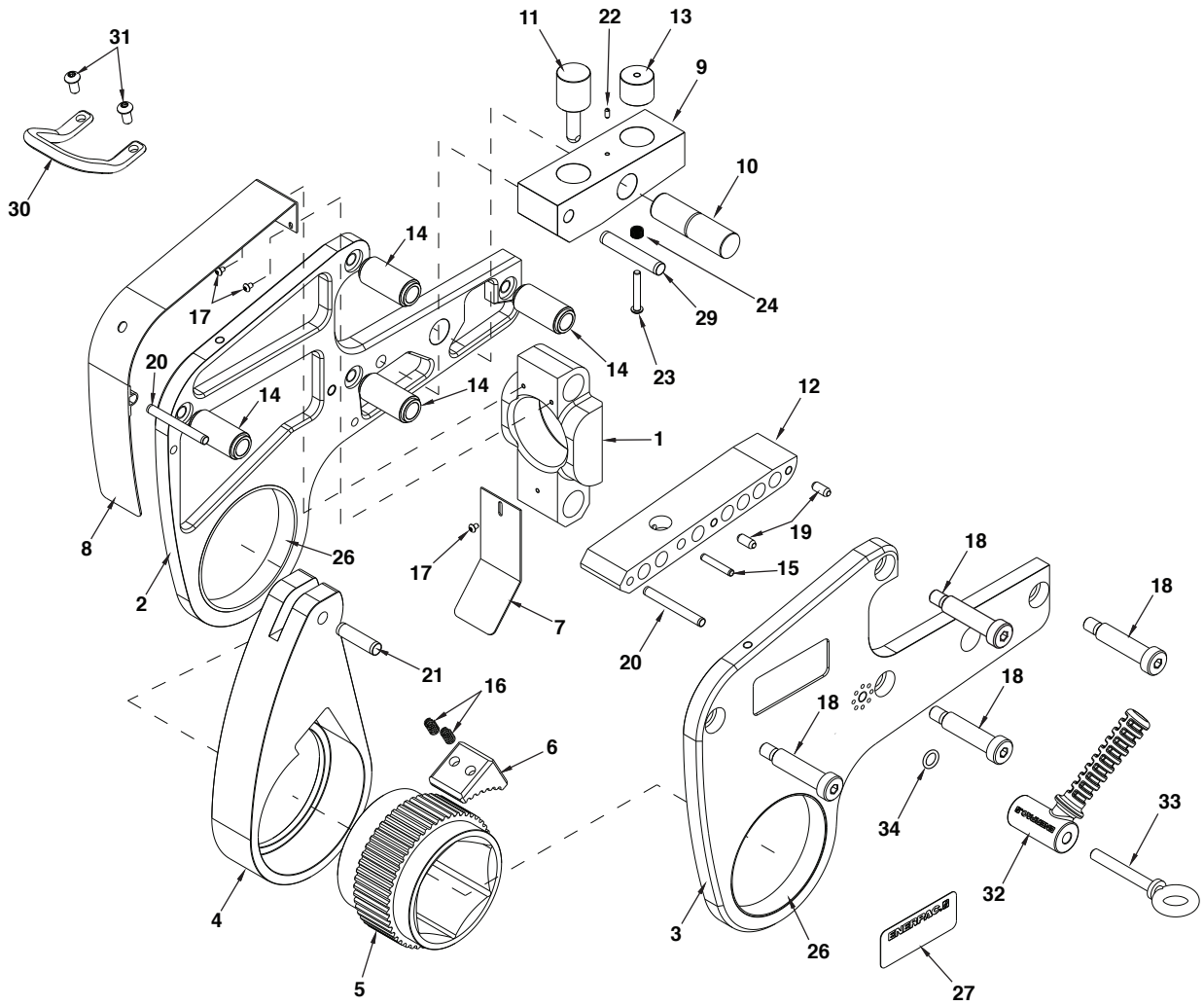
To Protect Your Warranty, Use Only ENERPAC Hydraulic Oil.

Enerpac recommends that all kit components be installed to insure optimum performance of the repaired product.



Contents:

	Pages
Figure 1, Cassette Assembly	2-3
Figure 2, Ratchet Assembly and Sideplates	4-5
Figure 3, Drive Unit and Swivel Assembly	6-7
Table 4, Carrying Cases	8



Note: See page 3 for parts kits.

Figure 1, Cassette Assembly, W3500X Series

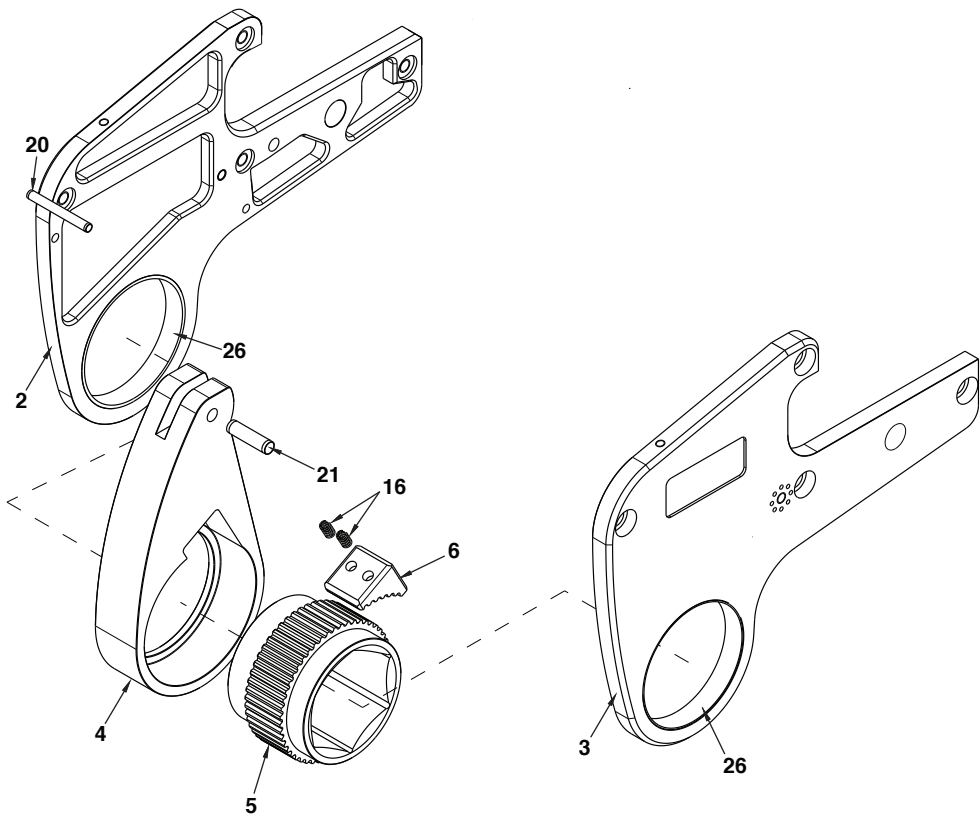
Repair Parts List for Figure 1

Item	Part Number	Qty.	Parts Kits								Available as individual item.	Description
			Sideplate and Bushing Kit (see Figure 2)	Ratchet Lever and Pin Kit (see Figure 2)	Ratchet Kit (see Figure 2)	Head Guard / Spacer Kit W35000HGSK	Safe Link Kit W35000SLK	Cassette Hardware Kit W35000CHK	Top Handle Kit W35000THK	Large Side Handle Kit SWH10EA		
1	(Not Available)	1										Cylinder Locating Plate
2	(see Figure 2)	1	•									RH Sideplate
3	(see Figure 2)	1	•									LH Sideplate
4	(See Figure 2)	1		•								Ratchet Lever
5	(See Figure 2)	1			•						*	Ratchet
6	(See Figure 2)	1			•							Drive Shoe
7	35000117	1				•						Guard, Rear
8	35000116	1				•						Guard, Front
9	(Not Available)	1										Pin Retainer
10	35000110	1						•				Spacer Retaining Pin
11	35000109	1						•				Cylinder Retaining Pin
12	35000114	1									*	Reaction Foot
13	35000115	1						•				Fail Safe Pin
14	35000113	4				•						Sideplate Spacer
15	E4838K	1						•	•		*	Pin, Spirol (packet of 5)
16	E3106K	2			•			•	•		*	Spring, Compression (packet of 10)
17	CBA411028-1E	3				•		•	•			Screw, Button Head
18	E4837	4				•		•	•			Screw, Shoulder, Modified
19	E4584	2						•	•			Spring, Plunger
20	E4834K	2				•		•	•		*	Pin, Spirol Spring (packet of 10)
21	E4836K	1		•				•	•		*	Pin, Spirol Spring (packet of 5)
22	E4728	1						•	•			Ball Detent
23	E4612	1						•	•			Screw, Button Head
24	E3087	1						•	•			Spring, Compression
26	(See Figure 2)	2	•								*	Sideplate Bushing
27	35000129	1						•	•			Nameplate, Enerpac
29	E4835	1						•	•			Pin, Spirol Spring
30	35000128	1							•			Handle, Top
31	CBA8190201E	2							•			Screw, Button Head
32	DM0340070	1								•		Handle, Side (large)
33	DM0219070	1								•		Eyebolt, M10 Long Shank
34	E2393	1								•		O-Ring

Notes:

- Enerpac recommends that all kit components be installed to assure optimum performance of the repaired product.
- Items 15, 16, 20 and 21: Packet quantity is provided only when item is ordered separately (not as part of a kit).

Note: This view contains ratchet and sideplate parts only. See Figure 1 for complete exploded view of all cassette parts.



Note: See page 5 for parts kits.

Figure 2, Ratchet Assembly and Sideplates, W35000X Series

Ratchet and Sideplate Kits for W3500X Series Cassettes - Refer to Figure 2

Cassette Model	Size		Part Numbers					
	Inch	Metric	Ratchet Only (Figure 2, item 5)	Drive Shoe Kit (Figure 2, items 6 and 16)	Ratchet Kit (Figure 2, items 5, 6 & 16)	Ratchet Lever and Pin Kit (Figure 2, items 4 & 21)	LH and RH Sideplates With Bushings (Figure 2, items 2, 3 & 26)	Sideplate Bushings (Figure 2, item 26)
W35302X	3-1/8"	80	35000121302	W35308DSK	W35302RK	35000120308A	W35000175308A	35000125308
W35303X	3-3/16"	81	35000121303	W35308DSK	W35303RK	35000120308A	W35000175308A	35000125308
W35304X	3-1/4"	83	35000121304	W35308DSK	W35304RK	35000120308A	W35000175308A	35000125308
W35305X	3-5/16"	84	35000121305	W35308DSK	W35305RK	35000120308A	W35000175308A	35000125308
W35085MX	- - -	85	35000121085M	W35308DSK	W35085MRK	35000120308A	W35000175308A	35000125308
W35306X	3-3/8"	86	35000121306	W35308DSK	W35306RK	35000120308A	W35000175308A	35000125308
W35307IX	3-7/16"	- - -	35000121307	W35308DSK	W35307IRK	35000120308A	W35000175308A	35000125308
W35308X	3-1/2"	89	35000121308	W35308DSK	W35308RK	35000120308A	W35000175308A	35000125308
W35090MX	- - -	90	35000121090M	W35314DSK	W35090MRK	35000120314A	W35000175314A	35000125314
W35309X	3-9/16"	91	35000121309	W35314DSK	W35309RK	35000120314A	W35000175314A	35000125314
W35310X	3-5/8"	92	35000121310	W35314DSK	W35310RK	35000120314A	W35000175314A	35000125314
W35311X	3-11/16"	94	35000121311	W35314DSK	W35311RK	35000120314A	W35000175314A	35000125314
W35312X	3-3/4"	95	35000121312	W35314DSK	W35312RK	35000120314A	W35000175314A	35000125314
W35313X	3-13/16"	97	35000121313	W35314DSK	W35313RK	35000120314A	W35000175314A	35000125314
W35314X	3-7/8"	99	35000121314	W35314DSK	W35314RK	35000120314A	W35000175314A	35000125314
W35315X	3-15/16"	100	35000121315	W35404DSK	W35315RK	35000120404A	W35000175404A	35000125404
W35400X	4"	102	35000121400	W35404DSK	W35400RK	35000120404A	W35000175404A	35000125404
W35401IX	4-1/16"	- - -	35000121401	W35404DSK	W35401IRK	35000120404A	W35000175404A	35000125404
W35402X	4-1/8"	105	35000121402	W35404DSK	W35402RK	35000120404A	W35000175404A	35000125404
W35403IX	4-3/16"	- - -	35000121403	W35404DSK	W35403IRK	35000120404A	W35000175404A	35000125404
W35404X	4-1/4"	108	35000121404	W35404DSK	W35404RK	35000120404A	W35000175404A	35000125404
W35405X	4-5/16"	110	35000121405	W35410DSK	W35405RK	35000120410A	W35000175410A	35000125410
W35406X	4-3/8"	111	35000121406	W35410DSK	W35406RK	35000120410A	W35000175410A	35000125410
W35407X	4-7/16"	113	35000121407	W35410DSK	W35407RK	35000120410A	W35000175410A	35000125410
W35408IX	4-1/2"	- - -	35000121408	W35410DSK	W35408IRK	35000120410A	W35000175410A	35000125410
W35115MX	- - -	115	35000121115M	W35410DSK	W35115MRK	35000120410A	W35000175410A	35000125410
W35409IX	4-9/16"	- - -	35000121409	W35410DSK	W35409IRK	35000120410A	W35000175410A	35000125410
W35410IX	4-5/8"	- - -	35000121410	W35410DSK	W35410IRK	35000120410A	W35000175410A	35000125410
W35412X	4-3/4"	120	35000121412	W35500DSK	W35412RK	35000120500A	W35000175500A	35000125500
W35123MX	- - -	123	35000121123M	W35500DSK	W35123MRK	35000120500A	W35000175500A	35000125500
W35414X	4-7/8"	124	35000121414	W35500DSK	W35414RK	35000120500A	W35000175500A	35000125500
W35500X	5"	127	35000121500	W35500DSK	W35500RK	35000120500A	W35000175500A	35000125500
W35502X	5-1/8"	130	35000121502	W35506DSK	W35502RK	35000120506A	W35000175506A	35000125506
W35503IX	5-3/16"	- - -	35000121503	W35506DSK	W35503IRK	35000120506A	W35000175506A	35000125506
W35504IX	5-1/4"	- - -	35000121504	W35506DSK	W35504IRK	35000120506A	W35000175506A	35000125506
W35506X	5-3/8"	135	35000121506	W35506DSK	W35506RK	35000120506A	W35000175506A	35000125506
W35508X	5-1/2"	140	35000121508	W35512DSK	W35508RK	35000120512A	W35000175512A	35000125512
W35509X	5-9/16"	141	35000121509	W35512DSK	W35509RK	35000120512A	W35000175512A	35000125512
W35510X	5-5/8"	143	35000121510	W35512DSK	W35510RK	35000120512A	W35000175512A	35000125512
W35512X	5-3/4"	145	35000121512	W35512DSK	W35512RK	35000120512A	W35000175512A	35000125512
W35514X	5-7/8"	150	35000121514	W35602DSK	W35514RK	35000120602A	W35000175602A	35000125602
W35151MX	- - -	151	35000121151M	W35602DSK	W35151MRK	35000120602A	W35000175602A	35000125602
W35600X	6"	153	35000121600	W35602DSK	W35600RK	35000120602A	W35000175602A	35000125602
W35602X	6-1/8"	155	35000121602	W35602DSK	W35602RK	35000120602A	W35000175602A	35000125602

Notes:

- Enerpac recommends that all kit and subassembly components be installed to assure optimum performance of the repaired product.
- Item 6 is available only as part of the Ratchet Kit (not sold separately).

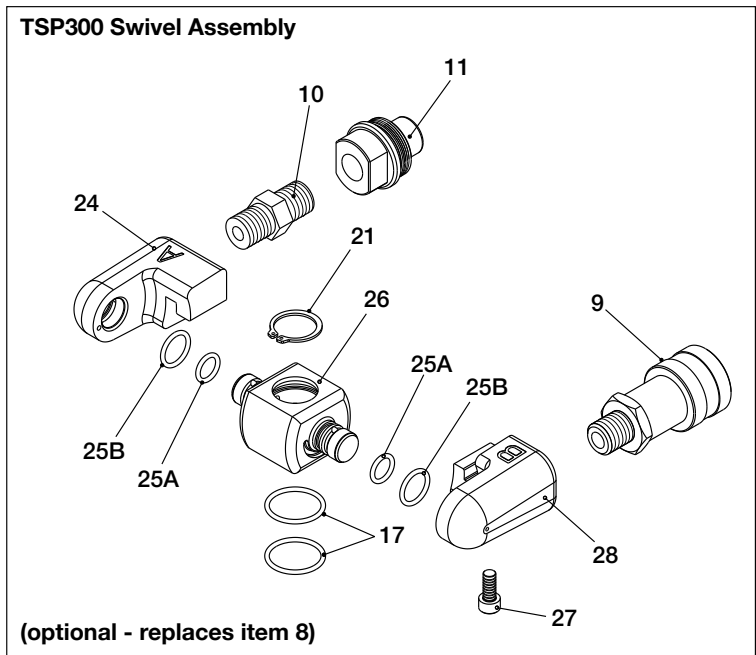
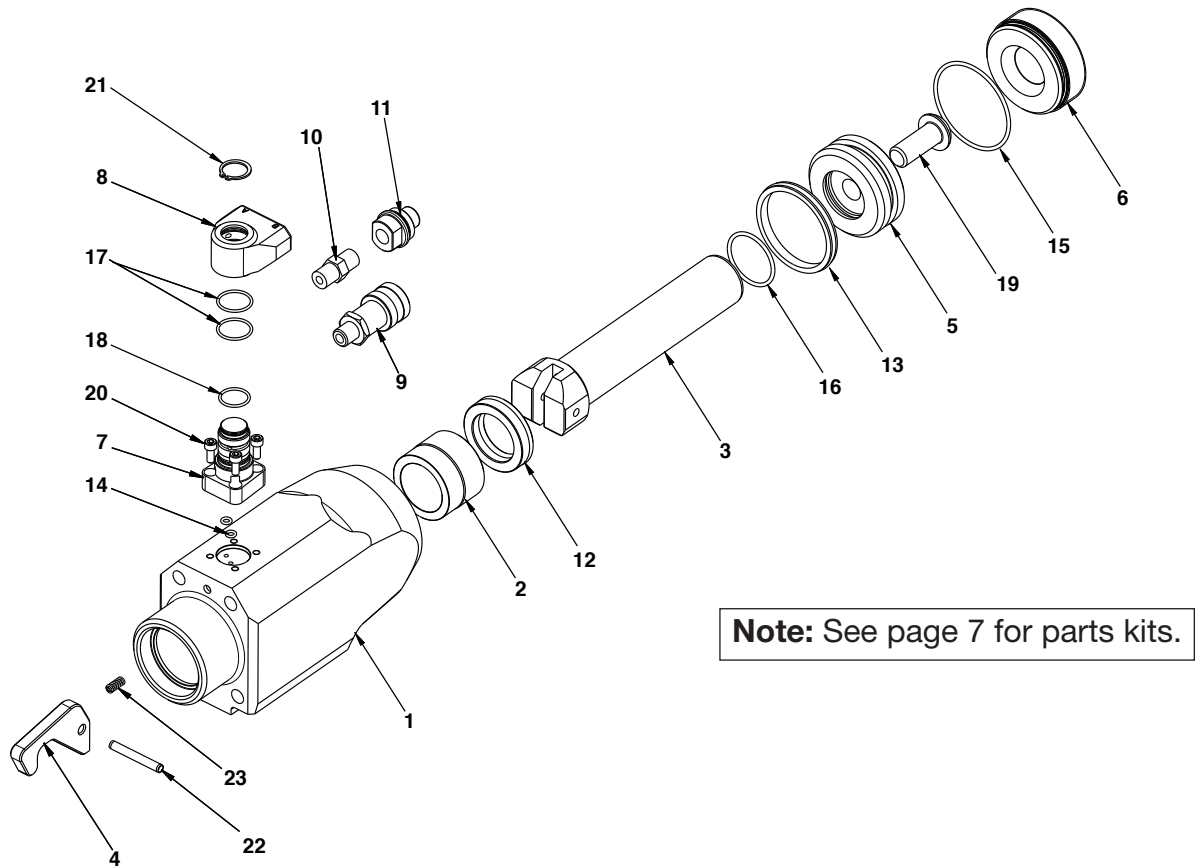


Figure 3, Drive Unit and Swivel Assembly, W3500X Series

Repair Parts List for Figure 3

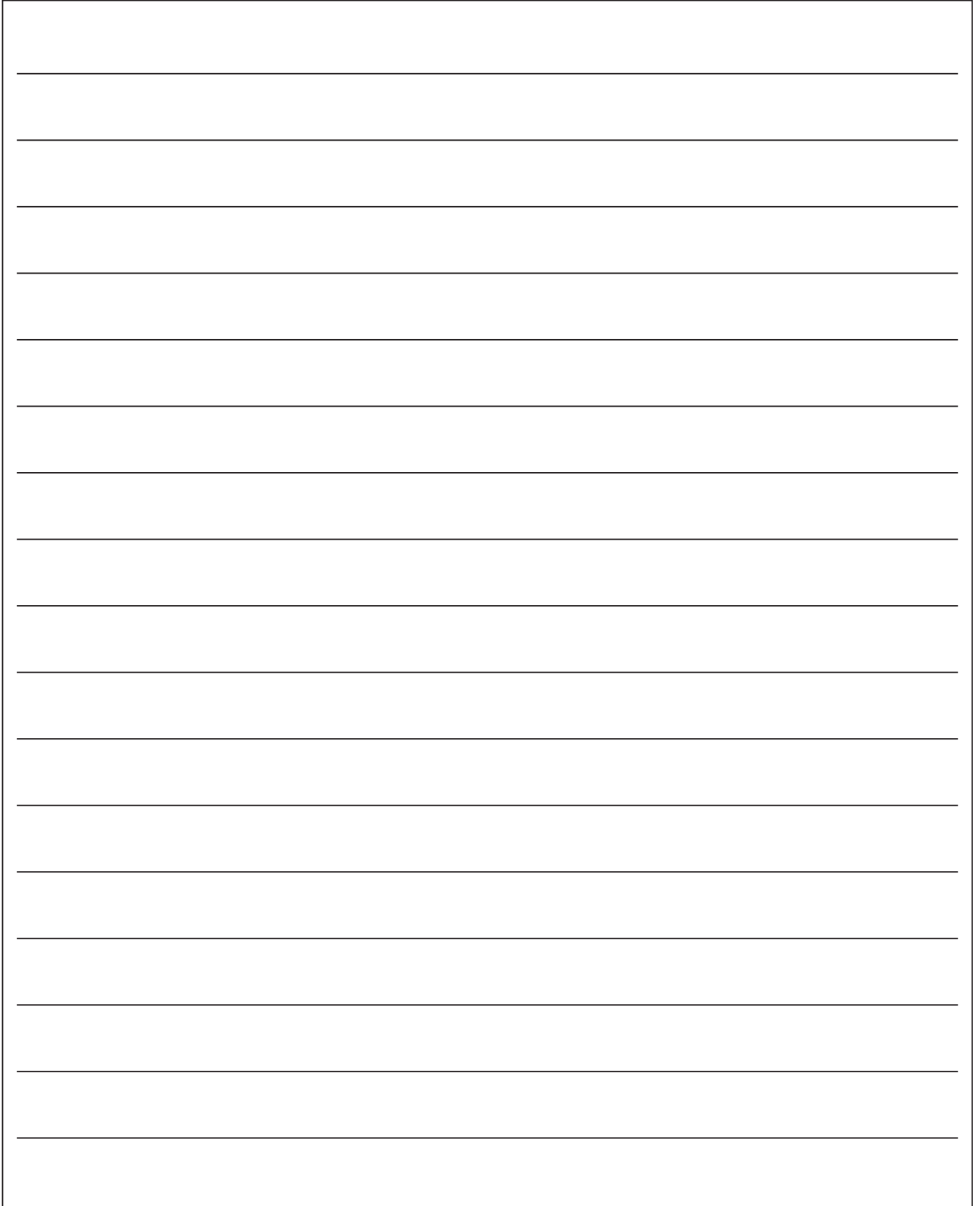
Item	Part Number	Qty.		Parts Kits						(*) Item available separately OR in kit	Description	
		W35000X	W35000PX	Drive Unit Rebuild Kit W35000DRK	Retract Link Kit W35000RLK	Standard Swivel Kit with Post SP300MKC	Drive Unit Seal Kit W35000XSK	Swivel Manifold Seal Kit TSP300MSK (For TSP300 Swivel)	Swivel and Manifold Kit TSP300 (For TSP300 Swivel)			Swivel Post and Manifold Kit TSP300MKC (For TSP300 Swivel)
1	(Not Available)	1	1									Cylinder Body
2	35000106	1	1	•								Cylinder Bushing
3	35000104	1	1	•								Piston Rod
4	35000105	1	1		•							Retract Link
5	35000103	1	1	•								Piston
6	35000102	1	1	•								Cylinder Gland
7	W35000226	1	1			•				•	*	Swivel Manifold Post (large)
8	SP300101	1	---			•					*	Swivel Manifold Block (non-tilt)
9	TR630	1	1			•			•	•	*	Coupling, 10,000 PSI Screw-On
10	FZ1608	1	1			•			•	•	*	Adaptor, Hex 10,000 PSI
11	TH630	1	1			•			•	•	*	Nipple, 10,000 PSI Screw-On
12	E2383	1	1				•					Seal, Rod
13	E2381	1	1				•					Seal, T-Piston w/Back Up Rings
14	E2304K	2	2			•	•	•	•	•	*	O-Ring (packet of 10)
15	E2382	1	1				•					O-Ring
16	E2279	1	1				•					O-Ring
17	E2240	2	2			•	•	•	•	•		O-Ring
18	E2238	1	1			•	•	•	•	•		O-Ring
19	E4606	1	1	•								Screw, Button Head
20	E4506	4	4			•				•		Swivel Manifold Retaining Bolt
21	E4856	1	1			•	•	•	•	•		Retainer Ring, Circlip
22	E4838	1	1		•							Pin, Spirol Spring
23	E3107K	1	1		•						*	Spring, Compression (packet of 5)
24	TSP300101	---	1						•	•		Swivel Arm, Pressure A
25A	E2235	---	2				•	•	•	•		O-Ring, Double Swivel (small)
25B	E2173	---	2				•	•	•	•		O-Ring, Double Swivel (large)
26	TSP300103	---	1						•	•		Manifold Block, Double Swivel
27	E4650	---	1				•	•	•	•		Capscrew, Swivel Arm
28	TSP300102	---	1						•	•		Swivel Arm, Return B

Notes: • Enerpac recommends that all kit components be installed to assure optimum performance of the repaired product.
 • Items 14 and 23: Packet quantity is provided only when item is ordered separately (not as part of a kit).

Repair Parts Table 4 for Hydraulic Torque Wrench Case			
Item	Part Number	Qty.	Description
1	M2200	1	Carrying Case, Drive Unit, W35000X
2	M2720	1	Carrying Case, Cassette, W35000X

NOTES:

NOTES:

A large rectangular box with a thin black border, containing 20 horizontal lines for writing notes. The lines are evenly spaced and extend across the width of the box.

