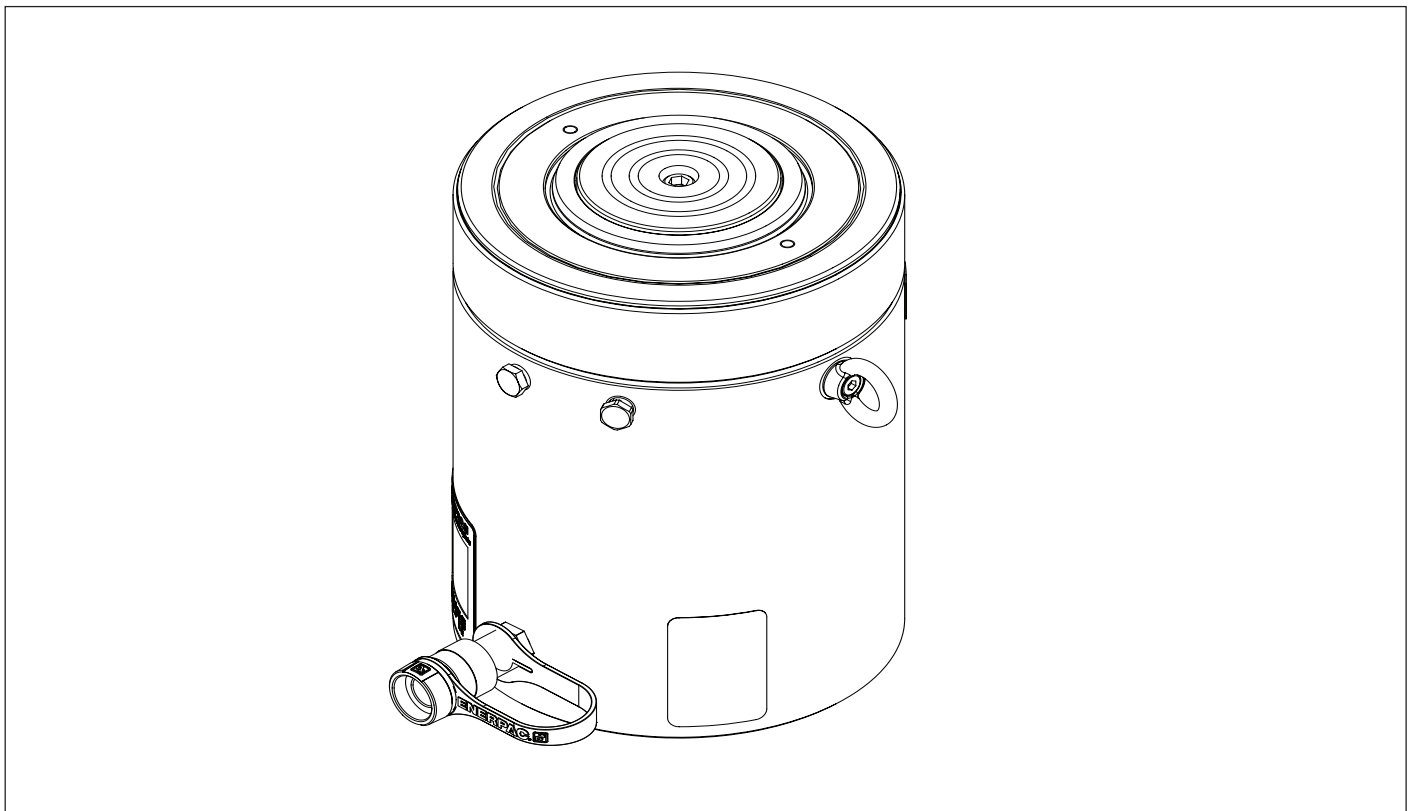


Document Number	Document Revision	Document Revision Date	Product Date Code Beginning With
L4175	B	11/2017	A

**NOTICE:**

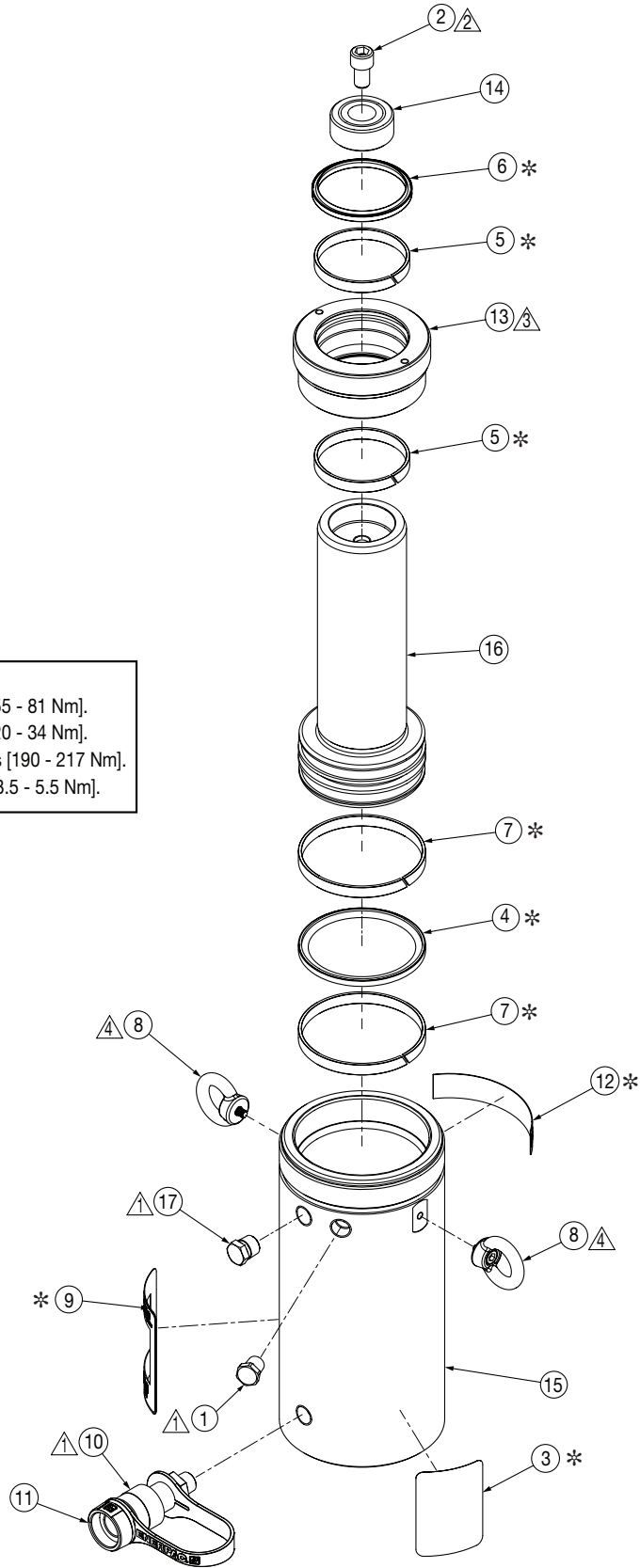
Enerpac recommends the installation of all parts included in a service assembly or repair kit to ensure optimum performance of the repaired product.



**Table of Contents:**

	Page		Page
Figure 1, Model HCG-50 Short .....	2-3	Figure 3, Model HCG-100 Short .....	6-7
Figure 2, Model HCG-50 Tall .....	4-5	Figure 4, Model HCG-100 Tall .....	8-9

**Figure 1, Exploded View - Model HCG-50 Short**

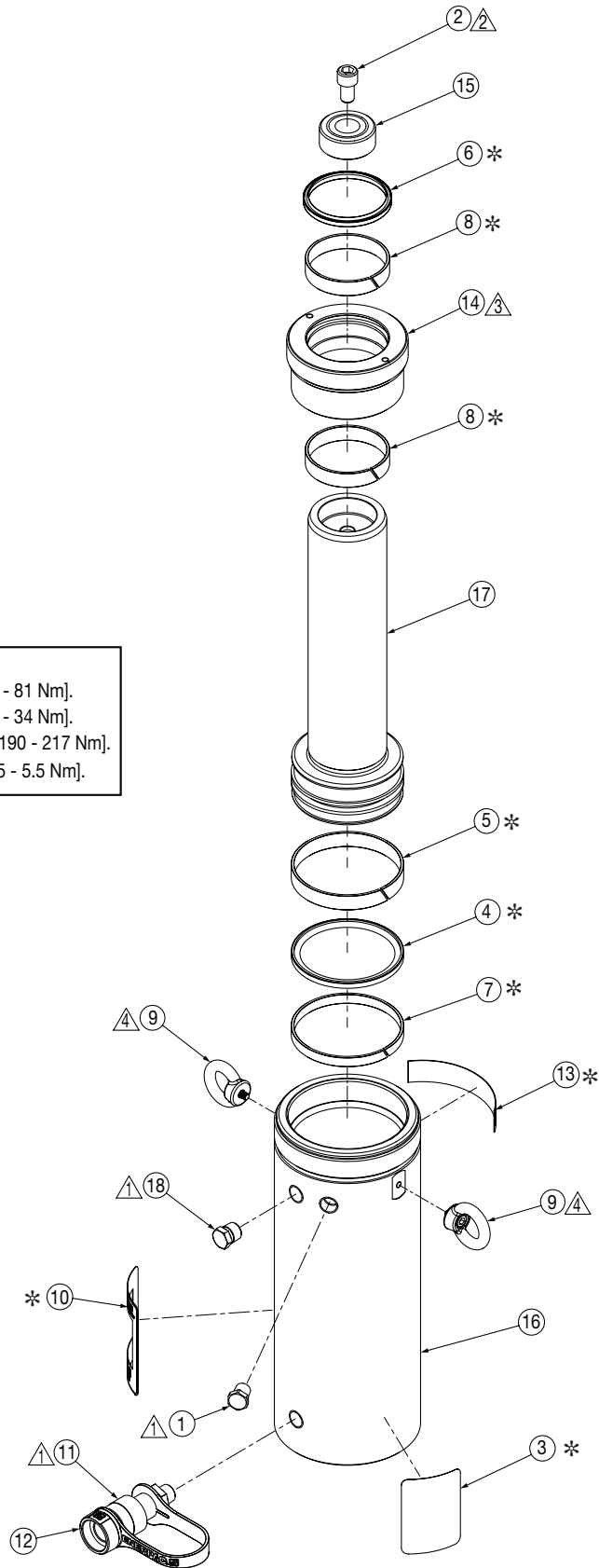


- Notes:**
- ▲ Torque to 40 - 60 ft-lbs [55 - 81 Nm].
  - ▲ Torque to 15 - 25 ft-lbs [20 - 34 Nm].
  - ▲ Torque to 140 - 160 ft-lbs [190 - 217 Nm].
  - ▲ Torque to 40 - 50 in-lbs [3.5 - 5.5 Nm].

<b>Repair Parts List for Figure 1</b>			
<b>Item</b>	<b>Part Number</b>	<b>Qty.</b>	<b>Description</b>
1	BSS6349D	1	Plug
2	CBE1221028-1A	1	M12 x 20 Long SHCS
3	* DA5625026	1	Warning Decal, 2.19" x 3.18"
4	* DB8051076	1	Piston Seal 100 x 84,5 x 6,3
5	* DB8054155	2	Bearing, Rod 70 x 9,7
6	* DB8055776	1	Wiper 70 mm
7	* DB8056155	2	Bearing, Piston 100 x 9,7
8	DB8099667	2	Eyebolt, Rotating, M6
9	* DB8100026	1	Decal, Product Specification
10	CR400	1	Female Coupler
11	CD411D	1	Dust Cap
12	* DD2459026	1	Decal, Enerpac
13	HCG502044	1	Stop Ring HCG 50 Ton Short
14	HCR50045	1	Saddle HCR 50 Ton
15	N/A	1	Base HCG/HCR 50 Ton 50 mm
	N/A	1	Base HCG/HCR 50 Ton 100 mm
	N/A	1	Base HCG/HCR 50 Ton 150 mm
16	HCR502040	1	Plunger HCG/HCR 50 Ton 50 mm
	HCR504040	1	Plunger HCG/HCR 50 Ton 100 mm
	HCR506040	1	Plunger HCG/HCR 50 Ton 150 mm
17	R515245-2	1	Plug
* Included in HCG50K1 Seal Kit. N/A - Not Available			

**Figure 2, Exploded View - Model HCG-50 Tall**

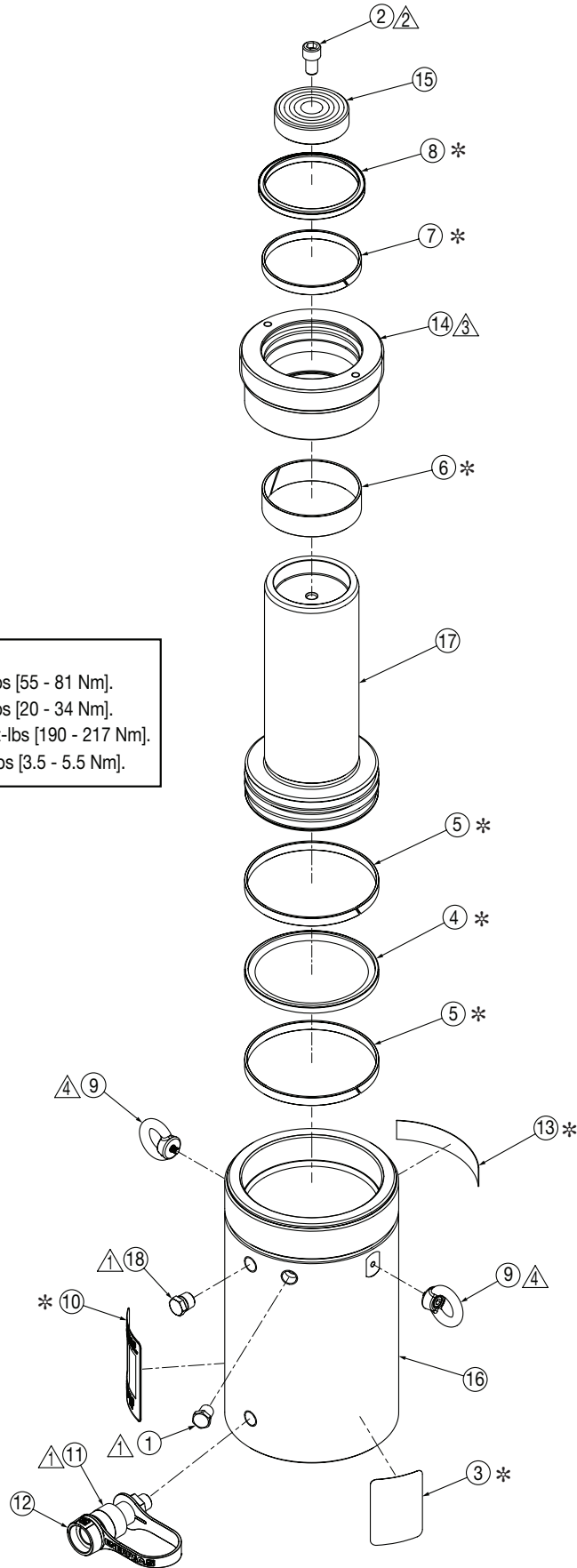
- Notes:**
- ▲ Torque to 40 - 60 ft-lbs [55 - 81 Nm].
  - ▲ Torque to 15 - 25 ft-lbs [20 - 34 Nm].
  - ▲ Torque to 140 - 160 ft-lbs [190 - 217 Nm].
  - ▲ Torque to 40 - 50 in-lbs [3.5 - 5.5 Nm].



<b>Repair Parts List for Figure 2</b>			
<b>Item</b>	<b>Part Number</b>	<b>Qty.</b>	<b>Description</b>
1	BSS6349D	1	Plug
2	CBE1221028-1A	1	M12 x 20 Long SHCS
3	* DA5625026	1	Warning Decal, 2.19" x 3.18"
4	* DB8051076	1	Piston Seal 100 x 84,5 x 6,3
5	* DB8053155	1	Bearing, Piston 100 x 15
6	* DB8055776	1	Wiper 70 mm
7	* DB8056155	1	Bearing, Piston 100 x 9,7
8	* DB8057155	2	Bearing, Rod 70 x 15
9	DB8099667	2	Eyebolt, Rotating, M6
10	* DB8100026	1	Decal, Product Specification
11	CR400	1	Female Coupler
12	CD411D	1	Dust Cap
13	* DD2459026	1	Decal, Enerpac
14	HCG508044	1	Stop Ring HCG 50 Ton Tall
15	HCR50045	1	Saddle HCR 50 Ton
16	N/A	1	Base HCG/HCR 50 Ton 200 mm
	N/A	1	Base HCG/HCR 50 Ton 250 mm
	N/A	1	Base HCG/HCR 50 Ton 300 mm
17	HCR508040	1	Plunger HCG/HCR 50 Ton 200 mm
	HCR5010040	1	Plunger HCG/HCR 50 Ton 250 mm
	HCR5012040	1	Plunger HCG/HCR 50 Ton 300 mm
18	R515245-2	1	Plug
* Included in HCG50K2 Seal Kit. N/A - Not Available			

**Figure 3, Exploded View - Model HCG-100 Short**

- Notes:**
- ⚠ Torque to 40 - 60 ft-lbs [55 - 81 Nm].
  - ⚠ Torque to 15 - 25 ft-lbs [20 - 34 Nm].
  - ⚠ Torque to 140 - 160 ft-lbs [190 - 217 Nm].
  - ⚠ Torque to 40 - 50 in-lbs [3.5 - 5.5 Nm].

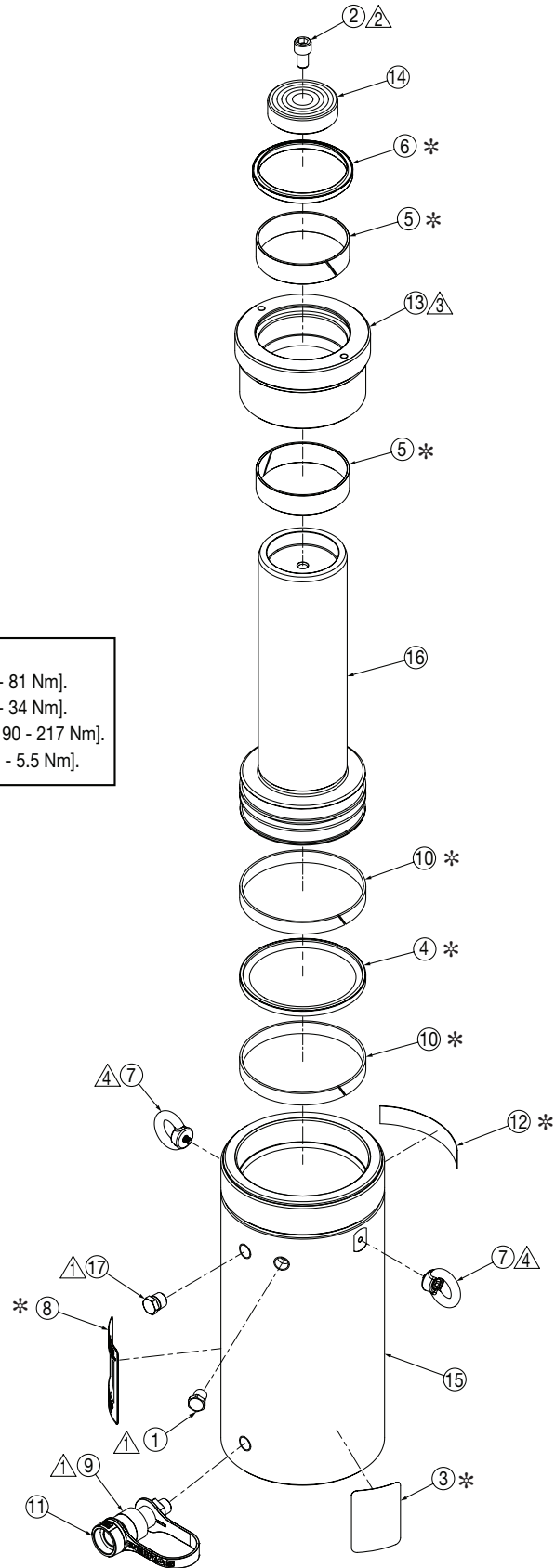


**Repair Parts List for Figure 3**

<b>Item</b>	<b>Part Number</b>	<b>Qty.</b>	<b>Description</b>
1	BSS6349D	1	Plug
2	CBE1221028-1A	1	M12 x 20 Long SHCS
3	* DA5625026	1	Warning Decal, 2.19" x 3.18"
4	* DB8058076	1	Piston Seal 135 x 114 x 8,1
5	* DB8060155	2	Bearing, Piston 135 x 9,7
6	* DB8061155	1	Bearing, Rod 95 x 25
7	* DB8062155	1	Bearing, Rod 95 x 9,7
8	* DB8063776	1	Wiper 95 mm
9	DB8099667	2	Eyebolt, Rotating, M6
10	* DB8100026	1	Decal, Product Specification
11	CR400	1	Female Coupler
12	CD411D	1	Dust Cap
13	* DD2459026	1	Decal, Enerpac
14	HCG1002044	1	Stop Ring HCG 100 Ton Short
15	HCR100045	1	Saddle HCR 100 Ton
16	N/A	1	Base HCG/HCR 100 Ton 50 mm
	N/A	1	Base HCG/HCR 100 Ton 100 mm
	N/A	1	Base HCG/HCR 100 Ton 150 mm
17	HCR1002040	1	Plunger HCG/HCR 100 Ton 50 mm
	HCR1004040	1	Plunger HCG/HCR 100 Ton 100 mm
	HCR1006040	1	Plunger HCG/HCR 100 Ton 150 mm
18	R515245-2	1	Plug
* Included in HCG100K1 Seal Kit. N/A - Not Available			

**Figure 4, Exploded View - Model HCG-100 Tall**

- Notes:**
- ▲ Torque to 40 - 60 ft-lbs [55 - 81 Nm].
  - ▲ Torque to 15 - 25 ft-lbs [20 - 34 Nm].
  - ▲ Torque to 140 - 160 ft-lbs [190 - 217 Nm].
  - ▲ Torque to 40 - 50 in-lbs [3.5 - 5.5 Nm].





**Repair Parts List for Figure 4**

<b>Item</b>	<b>Part Number</b>	<b>Qty.</b>	<b>Description</b>
1	BSS6349D	1	Plug
2	CBE1221028-1A	1	M12 x 20 Long SHCS
3	* DA5625026	1	Warning Decal, 2.19" x 3.18"
4	* DB8058076	1	Piston Seal 135 x 114 x 8,1
5	* DB8061155	2	Bearing, Rod 95 x 25
6	* DB8063776	1	Wiper 95 mm
7	DB8099667	2	Eyebolt, Rotating, M6
8	* DB8100026	1	Decal, Product Specification
9	CR400	1	Female Coupler
10	* DC5439155	2	Piston Wear Ring
11	CD411D	1	Dust Cap
12	* DD2459026	1	Decal, Enerpac
13	HCG1008044	1	Stop Ring HCG 100 Ton Tall
14	HCR100045	1	Saddle HCR 100 Ton
15	N/A	1	Base HCG/HCR 100 Ton 200 mm
	N/A	1	Base HCG/HCR 100 Ton 250 mm
	N/A	1	Base HCG/HCR 100 Ton 300 mm
16	HCR1008040	1	Plunger HCG/HCR 100 Ton 200 mm
	HCR10010040	1	Plunger HCG/HCR 100 Ton 250 mm
	HCR10012040	1	Plunger HCG/HCR 100 Ton 300 mm
17	R515245-2	1	Plug
* Included in HCG100K2 Seal Kit. N/A - Not Available			

## NOTES:


# NOTES:

A large rectangular box with a thin black border, containing 20 horizontal lines for writing. The lines are evenly spaced and extend across the width of the box, leaving a small margin from the top and bottom edges.

