

| Document Number | Document Revision | Document Revision Date | Product Date Code Beginning With |
|-----------------|-------------------|------------------------|----------------------------------|
| L4177 | B | 11/2017 | A |

NOTICE:

Enerpac recommends the installation of all parts included in a service assembly or repair kit to ensure optimum performance of the repaired product.

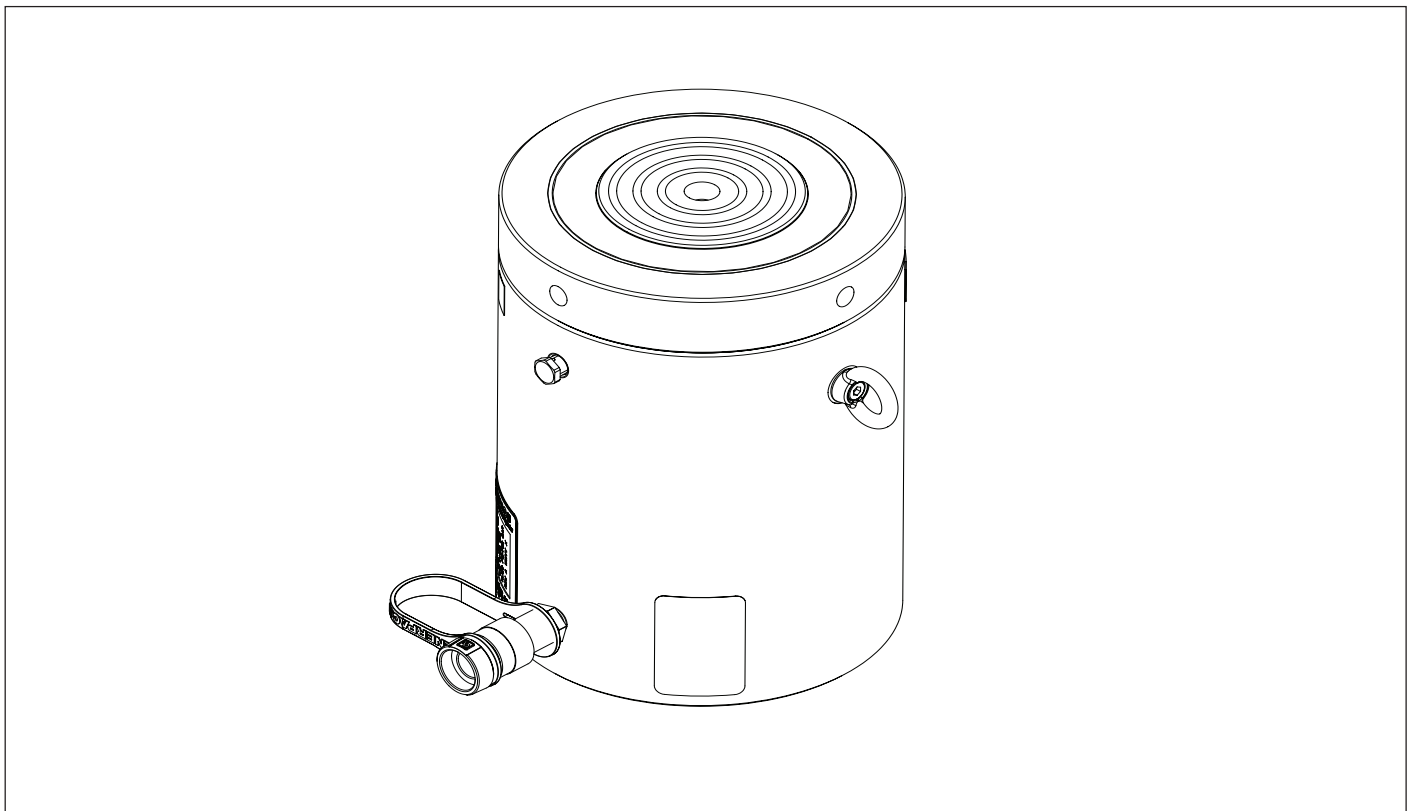
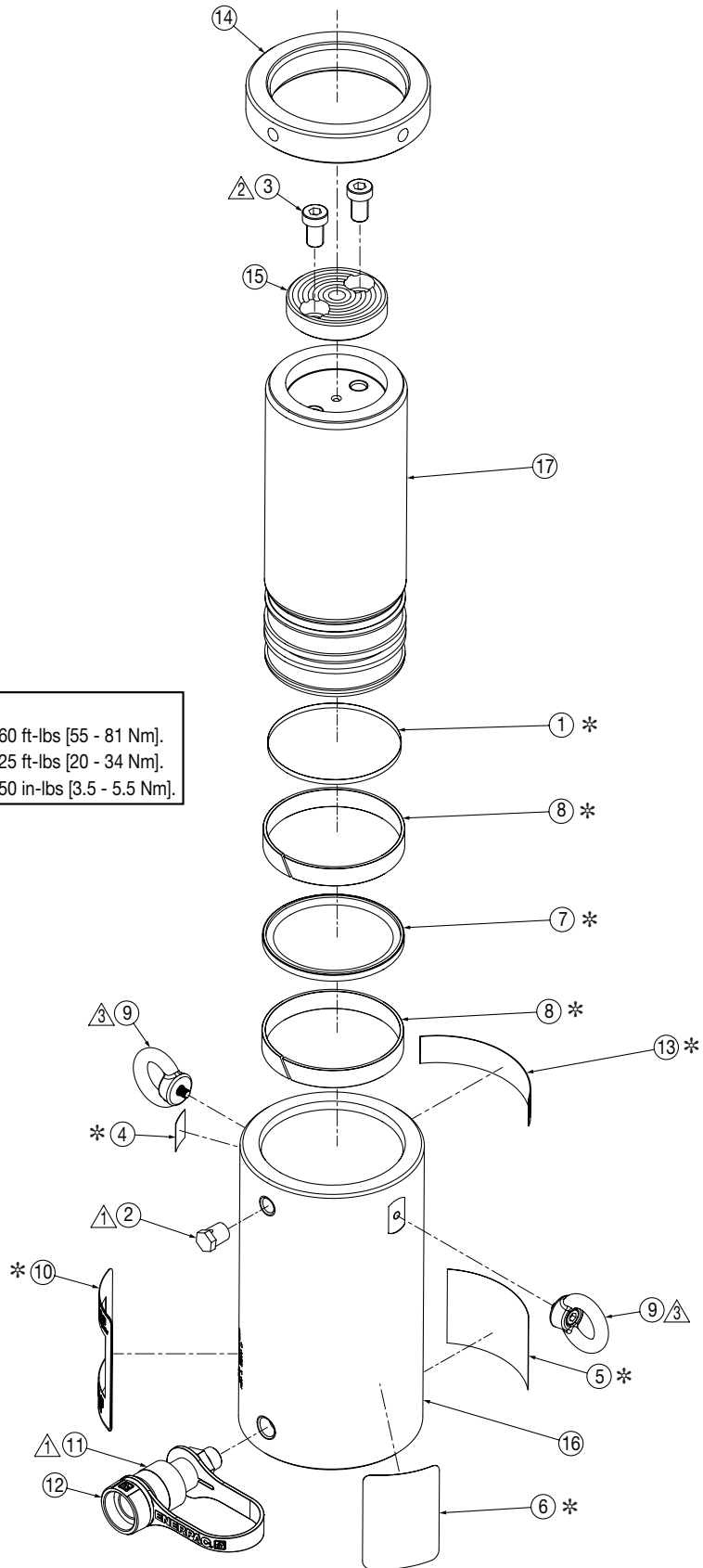


Table of Contents:

| | Page | | Page |
|-------------------------------|------|-------------------------------|------|
| Figure 1, Model HCL-50 | 2-3 | Figure 3, Model HCL-150 | 6-7 |
| Figure 2, Model HCL-100 | 4-5 | Figure 4, Model HCL-200 | 8-9 |

Figure 1, Exploded View - Model HCL-50

- Notes:**
- ⚠ Torque to 40 - 60 ft-lbs [55 - 81 Nm].
 - ⚠ Torque to 15 - 25 ft-lbs [20 - 34 Nm].
 - ⚠ Torque to 40 - 50 in-lbs [3.5 - 5.5 Nm].

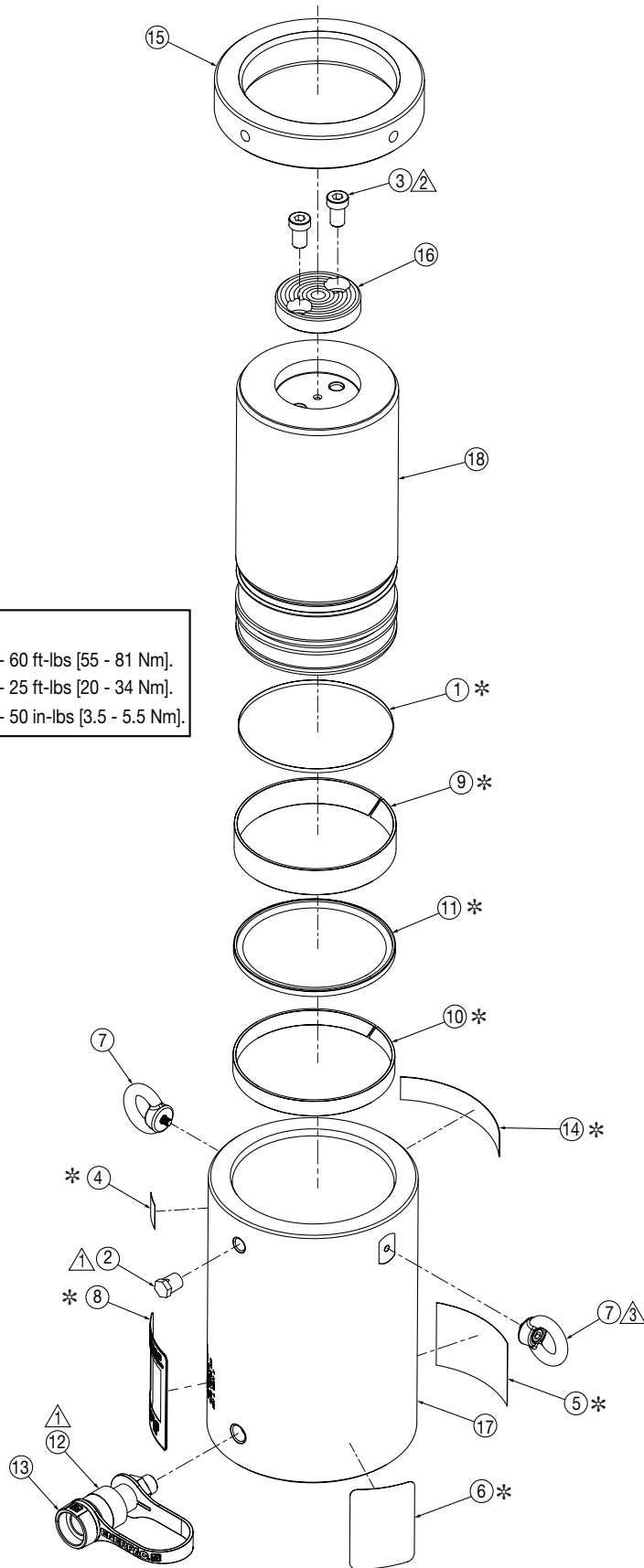


Repair Parts List for Figure 1

| Item | Part Number | Qty. | Description |
|---|--------------------|-------------|-----------------------------------|
| 1 | * BSS5145D | 11.75" | Strip, Red 1/4" Wide |
| 2 | BSS6348D | 1 | Plug |
| 3 | CBE1221028-1D | 2 | Screw, Low Head SHC M12 x 20 Zinc |
| 4 | * CU765026 | 1 | Warning Decal, 0.75" x 0.94" |
| 5 | * DA3128026 | 1 | Plunger Caution Warning Decal |
| 6 | * DA5625026 | 1 | Warning Decal, 2.19" x 3.18" |
| 7 | * DB8051076 | 1 | Piston Seal 100 x 84,5 x 6,3 |
| 8 | * DB8053155 | 2 | Bearing, Piston 100 x 15 |
| 9 | DB8099667 | 2 | Eyebolt, Rotating, M6 |
| 10 | * DB8100026 | 1 | Decal, Product Specification |
| 11 | CR400 | 1 | Female Coupler |
| 12 | CD411D | 1 | Dust Cap |
| 13 | * DD2459026 | 1 | Decal, Enerpac |
| 14 | HCL50008 | 1 | Lock Nut HCL 50 Ton |
| 15 | HCL50045 | 1 | Saddle HCL 50 Ton |
| 16 | N/A | 1 | Base HCL 50 Ton 50 mm |
| | N/A | 1 | Base HCL 50 Ton 100 mm |
| | N/A | 1 | Base HCL 50 Ton 150 mm |
| | N/A | 1 | Base HCL 50 Ton 200 mm |
| | N/A | 1 | Base HCL 50 Ton 250 mm |
| | N/A | 1 | Base HCL 50 Ton 300 mm |
| 17 | HCL502040 | 1 | Plunger HCL 50 Ton 50 mm |
| | HCL504040 | 1 | Plunger HCL 50 Ton 100 mm |
| | HCL506040 | 1 | Plunger HCL 50 Ton 150 mm |
| | HCL508040 | 1 | Plunger HCL 50 Ton 200 mm |
| | HCL5010040 | 1 | Plunger HCL 50 Ton 250 mm |
| | HCL5012040 | 1 | Plunger HCL 50 Ton 300 mm |
| * Included in HCL50K Seal Kit. N/A - Not Available. | | | |

Figure 2, Exploded View - Model HCL-100

NOTES:
 ▲ Torque to 40 - 60 ft-lbs [55 - 81 Nm].
 ▲ Torque to 15 - 25 ft-lbs [20 - 34 Nm].
 ▲ Torque to 40 - 50 in-lbs [3.5 - 5.5 Nm].



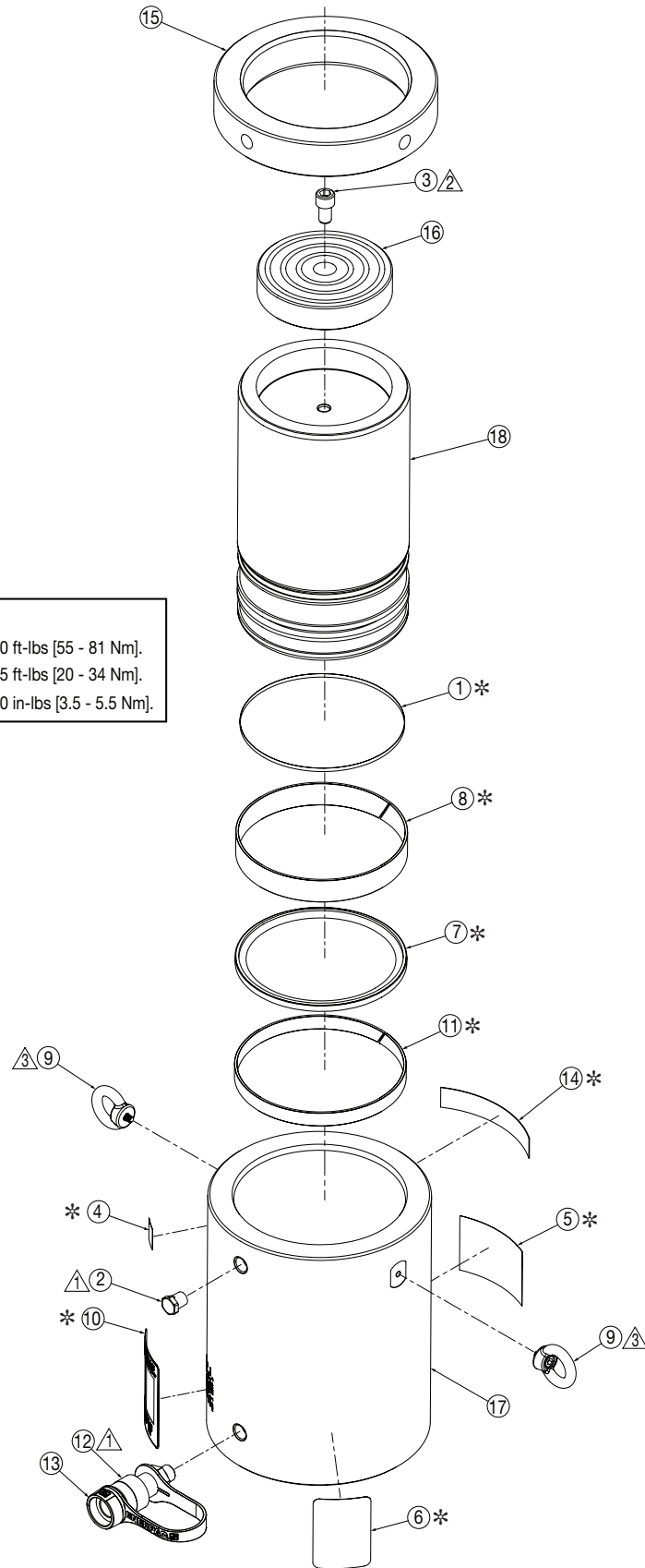
Repair Parts List for Figure 2

| Item | Part Number | Qty. | Description |
|-------------|--------------------|-------------|-----------------------------------|
| 1 | * BSS5145D | 16.25" | Strip, Red 1/4" Wide |
| 2 | BSS6348D | 1 | Plug |
| 3 | CBE1221028-1D | 2 | Screw, Low Head SHC M12 x 20 Zinc |
| 4 | * CU765026 | 1 | Warning Decal, 0.75" x 0.94" |
| 5 | * DA3128026 | 1 | Plunger Caution Warning Decal |
| 6 | * DA5625026 | 1 | Warning Decal, 2.19" x 3.18" |
| 7 | DB8099667 | 2 | Eyebolt, Rotating, M6 |
| 8 | * DB8100026 | 1 | Decal, Product Specification |
| 9 | * DB8110155 | 1 | Bearing, Piston 135 x 25 |
| 10 | * DB8169155 | 1 | Bearing, Piston 135 x 15 |
| 11 | * DB8172076 | 1 | Piston Seal 135 x 119,5 x 6,3 |
| 12 | CR400 | 1 | Female Coupler |
| 13 | CD411D | 1 | Dust Cap |
| 14 | * DD2459026 | 1 | Decal, Enerpac |
| 15 | HCL100008 | 1 | Lock Nut HCL 100 Ton |
| 16 | HCL50045 | 1 | Saddle HCL 50 Ton |
| 17 | N/A | 1 | Base HCL 100 Ton 50 mm |
| | N/A | 1 | Base HCL 100 Ton 100 mm |
| | N/A | 1 | Base HCL 100 Ton 150 mm |
| | N/A | 1 | Base HCL 100 Ton 200 mm |
| | N/A | 1 | Base HCL 100 Ton 250 mm |
| | N/A | 1 | Base HCL 100 Ton 300 mm |
| 18 | HCL1002040 | 1 | Plunger HCL 100 Ton 50 mm |
| | HCL1004040 | 1 | Plunger HCL 100 Ton 100 mm |
| | HCL1006040 | 1 | Plunger HCL 100 Ton 150 mm |
| | HCL1008040 | 1 | Plunger HCL 100 Ton 200 mm |
| | HCL10010040 | 1 | Plunger HCL 100 Ton 250 mm |
| | HCL10012040 | 1 | Plunger HCL 100 Ton 300 mm |

*Included in HCL100K Seal Kit. N/A - Not Available.

Figure 3, Exploded View - Model HCL-150

NOTES:
 ▲ Torque to 40 - 60 ft-lbs [55 - 81 Nm].
 ▲ Torque to 15 - 25 ft-lbs [20 - 34 Nm].
 ▲ Torque to 40 - 50 in-lbs [3.5 - 5.5 Nm].



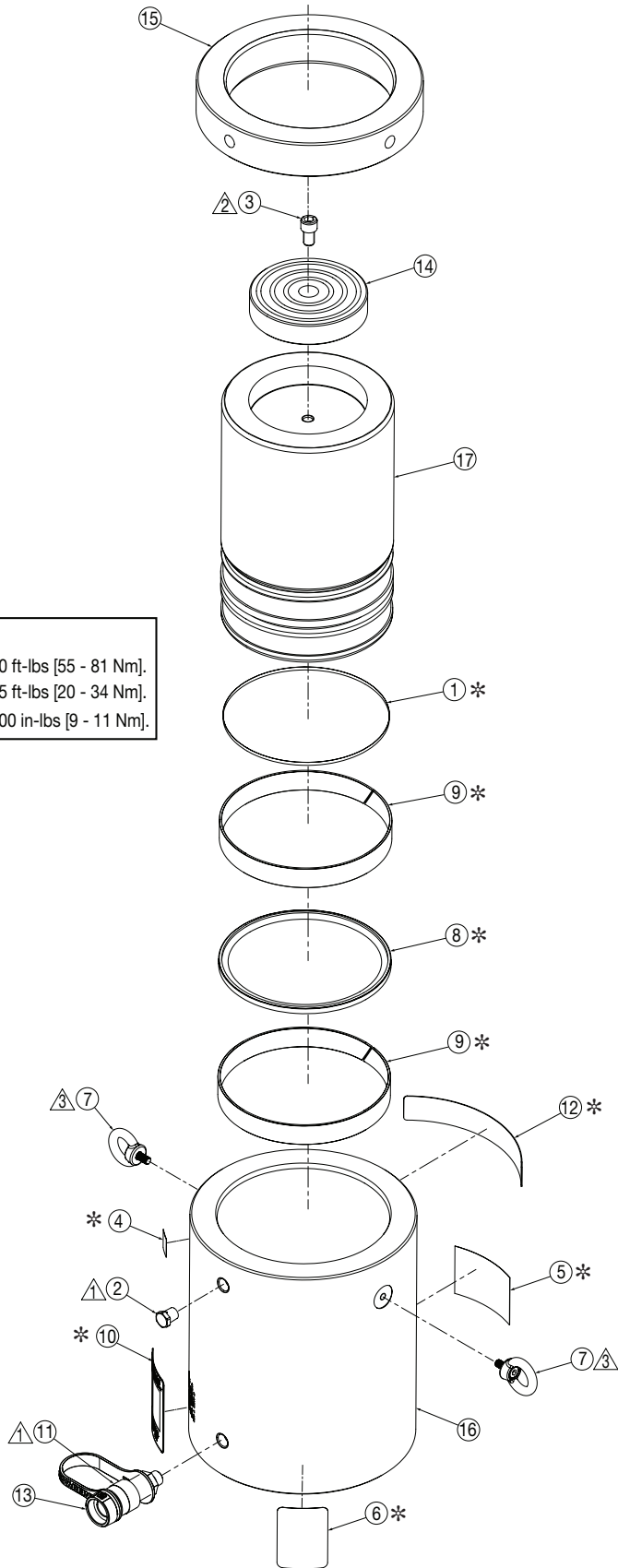
Repair Parts List for Figure 3

| Item | Part Number | Qty. | Description |
|-------------|--------------------|-------------|-------------------------------|
| 1 | * BSS5145D | 19.75" | Strip, Red 1/4" Wide |
| 2 | BSS6349D | 1 | Plug |
| 3 | CBE1221028-1A | 1 | M12 x 20 Long SHCS |
| 4 | * CU765026 | 1 | Warning Decal, 0.75" x 0.94" |
| 5 | * DA3128026 | 1 | Plunger Caution Warning Decal |
| 6 | * DA5625026 | 1 | Warning Decal, 2.19" x 3.18" |
| 7 | * DB8064076 | 1 | Piston Seal 165 x 114 x 8,1 |
| 8 | * DB8070155 | 1 | Bearing, Piston 165 x 25 |
| 9 | DB8099667 | 2 | Eyebolt, Rotating, M6 |
| 10 | * DB8100026 | 1 | Decal, Product Specification |
| 11 | * DB8170155 | 1 | Bearing, Piston 165 x 15 |
| 12 | CR400 | 1 | Female Coupler |
| 13 | CD411D | 1 | Dust Cap |
| 14 | * DD2459026 | 1 | Decal, Enerpac |
| 15 | HCL150008 | 1 | Lock Nut HCL 150 Ton |
| 16 | HCL150045 | 1 | Saddle HCL 150 Ton |
| 17 | N/A | 1 | Base HCL 150 Ton 50 mm |
| | N/A | 1 | Base HCL 150 Ton 100 mm |
| | N/A | 1 | Base HCL 150 Ton 150 mm |
| | N/A | 1 | Base HCL 150 Ton 200 mm |
| | N/A | 1 | Base HCL 150 Ton 250 mm |
| | N/A | 1 | Base HCL 150 Ton 300 mm |
| 18 | HCL1502040 | 1 | Plunger HCL 150 Ton 50 mm |
| | HCL1504040 | 1 | Plunger HCL 150 Ton 100 mm |
| | HCL1506040 | 1 | Plunger HCL 150 Ton 150 mm |
| | HCL1508040 | 1 | Plunger HCL 150 Ton 200 mm |
| | HCL15010040 | 1 | Plunger HCL 150 Ton 250 mm |
| | HCL15012040 | 1 | Plunger HCL 150 Ton 300 mm |

* Included in HCL150K Seal Kit. N/A - Not Available.

Figure 4, Exploded View - Model HCL-200

NOTES:
 ⚠ Torque to 40 - 60 ft-lbs [55 - 81 Nm].
 ⚠ Torque to 15 - 25 ft-lbs [20 - 34 Nm].
 ⚠ Torque to 80 - 100 in-lbs [9 - 11 Nm].



Repair Parts List for Figure 4

| Item | Part Number | Qty. | Description |
|---|--------------------|-------------|-------------------------------|
| 1 | * BSS5145D | 22.75" | Strip, Red 1/4" Wide |
| 2 | BSS6349D | 1 | Plug |
| 3 | CBE1221028-1A | 1 | M12 x 20 Long SHCS |
| 4 | * CU765026 | 1 | Warning Decal, 0.75" x 0.94" |
| 5 | * DA3128026 | 1 | Plunger Caution Warning Decal |
| 6 | * DA5625026 | 1 | Warning Decal, 2.19" x 3.18" |
| 7 | DB8050667 | 2 | Eyebolt, Rotating, M8 |
| 8 | * DB8072076 | 1 | Piston Seal 190 x 169 x 8,1 |
| 9 | * DB8078155 | 2 | Bearing, Piston 190 x 25 |
| 10 | * DB8100026 | 1 | Decal, Product Specification |
| 11 | CR400 | 1 | Female Coupler |
| 12 | * DD1042026 | 1 | Decal, Enerpac |
| 13 | CD411D | 1 | Dust Cap |
| 14 | HCL150045 | 1 | Saddle HCL 150 Ton |
| 15 | HCL200008 | 1 | Lock Nut HCL 200 Ton |
| 16 | N/A | 1 | Base HCL 200 Ton 50 mm |
| | N/A | 1 | Base HCL 200 Ton 100 mm |
| | N/A | 1 | Base HCL 200 Ton 150 mm |
| | N/A | 1 | Base HCL 200 Ton 200 mm |
| | N/A | 1 | Base HCL 200 Ton 250 mm |
| | N/A | 1 | Base HCL 200 Ton 300 mm |
| 17 | HCL2002040 | 1 | Plunger HCL 200 Ton 50 mm |
| | HCL2004040 | 1 | Plunger HCL 200 Ton 100 mm |
| | HCL2006040 | 1 | Plunger HCL 200 Ton 150 mm |
| | HCL2008040 | 1 | Plunger HCL 200 Ton 200 mm |
| | HCL20010040 | 1 | Plunger HCL 200 Ton 250 mm |
| | HCL20012040 | 1 | Plunger HCL 200 Ton 300 mm |
| *Included in HCL200K Seal Kit. N/A - Not Available. | | | |

