



POWERFUL SOLUTIONS. GLOBAL FORCE.

Repair Parts Sheet

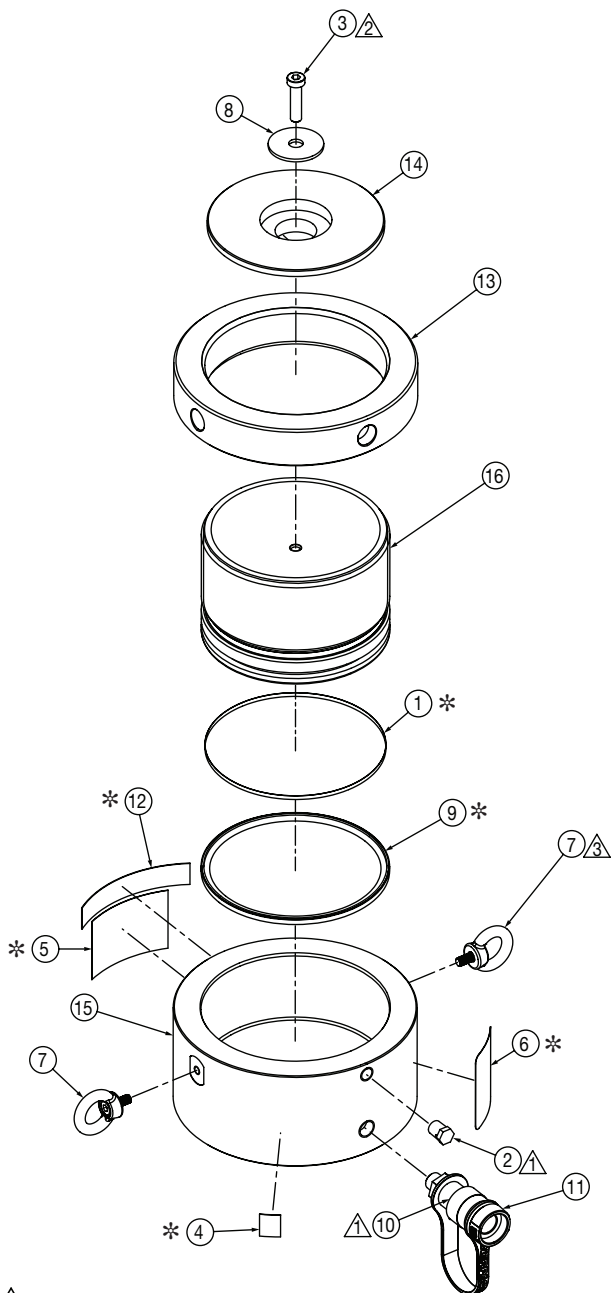
High Tonnage Hydraulic Cylinders
LPL-Series

Document Number	Document Revision	Document Revision Date	Product Date Code Beginning With
L4179	B	11/2017	A

NOTICE:

Enerpac recommends the installation of all parts included in a service assembly or repair kit to ensure optimum performance of the repaired product.

FIGURE 1 - Exploded View



△ Service Information
See on page 6.

FIGURE 2 - Right Side View

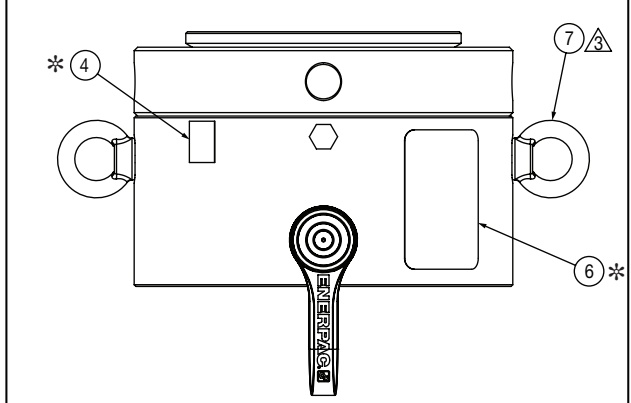


FIGURE 3 - Sectional View

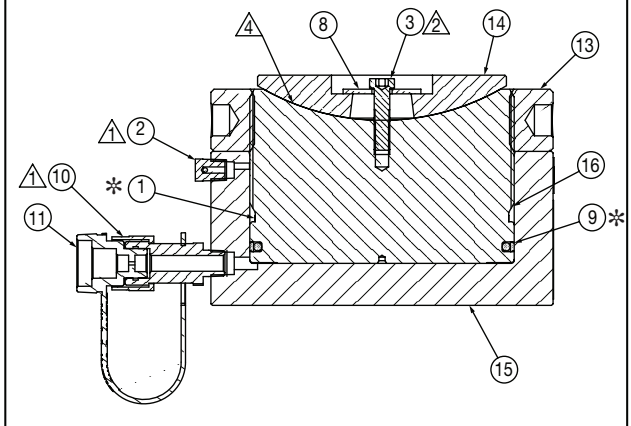
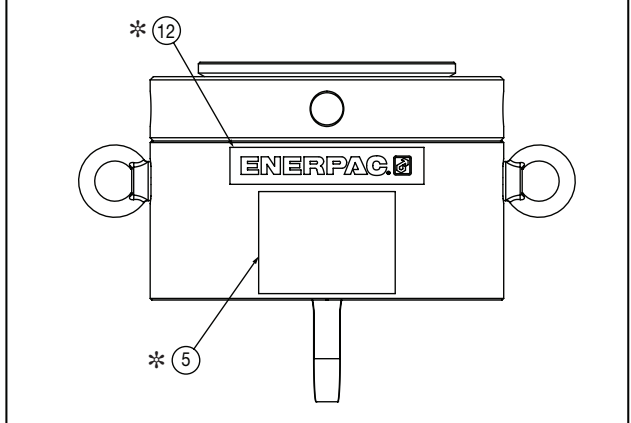


FIGURE 4 - Left Side View



Repair Parts List for Model LPL-602

Item	Part Number	Qty.	Description
1	* BSS5145D	12.25"	Strip, Red 1/4"
2	BSS6348D	1	Plug
3	CBE1029028-1D	1	Screw, Low Head SHC M10 x 40 Zinc
4	* CU765026	1	Warning Decal, 0.75" x 0.94"
5	* DA3128026	1	Plunger Caution Warning Decal
6	* DA5625026	1	Warning Decal, 2.19" x 3.18"
7	DB8099667	2	Eyebolt, Rotating, M6
8	DB8108108	1	Washer, Steel 10.5 x 40 x 1.5 Zinc
9	* DB8117076	1	Piston Seal 105 x 89,5 x 6,3
10	CR400	1	Female Coupler
11	CD411D	1	Dust Cap
12	* DD2459026	1	Decal, Enerpac
13	LPL60008	1	Lock Nut LPL 60 Ton
14	LPL60045	1	Saddle LPL 60 Ton
15	N/A	1	Base LPL 60 Ton 50 mm
16	LPL602040	1	Plunger LPL 60 Ton 50 mm

*Included in LPL602K Seal Kit. N/A - Not Available.

Repair Parts List for Model LPL-1002

Item	Part Number	Qty.	Description
1	* BSS5145D	15.75"	Strip, Red 1/4"
2	BSS6348D	1	Plug
3	CBE1029028-1D	1	Screw, Low Head SHC M10 x 40 Zinc
4	* CU765026	1	Warning Decal, 0.75" x 0.94"
5	* DA3128026	1	Plunger Caution Warning Decal
6	* DA5625026	1	Warning Decal, 2.19" x 3.18"
7	DB8099667	2	Eyebolt, Rotating, M6
8	DB8108108	1	Washer, Steel 10.5 x 40 x 1.5 Zinc
9	* DB8172076	1	Piston Seal 135 x 119,5 x 6,3
10	CR400	1	Female Coupler
11	CD411D	1	Dust Cap
12	* DD2459026	1	Decal, Enerpac
13	LPL100008	1	Lock Nut LPL 100 Ton
14	LPL100045	1	Saddle LPL 100 Ton
15	N/A	1	Base LPL 100 Ton 50 mm
16	LPL1002040	1	Plunger LPL 100 Ton 50 mm

*Included in LPL1002K Seal Kit. N/A - Not Available.

Repair Parts List for Model LPL-1602

Item	Part Number	Qty.	Description
1	* BSS5145D	20"	Strip, Red 1/4"
2	BSS6348D	1	Plug
3	CBE1029028-1D	1	Screw, Low Head SHC M10 x 40 Zinc
4	* CU765026	1	Warning Decal, 0.75" x 0.94"
5	* DA3128026	1	Plunger Caution Warning Decal
6	* DA5625026	1	Warning Decal, 2.19" x 3.18"
7	DB8050667	2	Eyebolt, Rotating, M8
8	DB8107108	1	Washer, Steel 13 x 50 x 3 Zinc
9	* DB8173076	1	Piston Seal 170 x 154,5 x 6,3
10	CR400	1	Female Coupler
11	CD411D	1	Dust Cap
12	* DD2459026	1	Decal, Enerpac
13	LPL160008	1	Lock Nut LPL 160 Ton
14	LPL160045	1	Saddle LPL 160 Ton
15	N/A	1	Base LPL 160 Ton 45 mm
16	LPL1602040	1	Plunger LPL 160 Ton 45 mm

*Included in LPL1602K Seal Kit. N/A - Not Available.

Repair Parts List for Model LPL-2002

Item	Part Number	Qty.	Description
1	* BSS5145D	22.5"	Strip, Red 1/4"
2	BSS6348D	1	Plug
3	CBE1233028-1D	1	Screw, Low Head SHC M12 x 50 Zinc
4	* CU765026	1	Warning Decal, 0.75" x 0.94"
5	* DA3128026	1	Plunger Caution Warning Decal
6	* DA5625026	1	Warning Decal, 2.19" x 3.18"
7	DB8050667	2	Eyebolt, Rotating, M8
8	DB8107108	1	Washer, Steel 13 x 50 x 3 Zinc
9	* DB8174076	1	Piston Seal 190 x 174,5 x 6,3
10	CR400	1	Female Coupler
11	CD411D	1	Dust Cap
12	* DD2459026	1	Decal, Enerpac
13	LPL200008	1	Lock Nut LPL 200 Ton
14	LPL200045	1	Saddle LPL 200 Ton
15	N/A	1	Base LPL 200 Ton 45 mm
16	LPL2002040	1	Plunger LPL 200 Ton 45 mm

*Included in LPL2002K Seal Kit. N/A - Not Available.

Repair Parts List for Model LPL-2502

Item	Part Number	Qty.	Description
1	* BSS5145D	25.5"	Strip, Red 1/4"
2	BSS6348D	1	Plug
3	CBE1233028-1D	1	Screw, Low Head SHC M12 x 50 Zinc
4	* CU765026	1	Warning Decal, 0.75" x 0.94"
5	* DA3128026	1	Plunger Caution Warning Decal
6	* DA5625026	1	Warning Decal, 2.19" x 3.18"
7	DB8050667	2	Eyebolt, Rotating, M8
8	DB8107108	1	Washer, Steel 13 x 50 x 3 Zinc
9	* DB8175076	1	Piston Seal 215 x 199,5 x 6,3
10	CR400	1	Female Coupler
11	CD411D	1	Dust Cap
12	* DD2459026	1	Decal, Enerpac
13	LPL250008	1	Lock Nut LPL 250 Ton
14	LPL250045	1	Saddle LPL 250 Ton
15	N/A	1	Base LPL 250 Ton 45 mm
16	LPL2502040	1	Plunger LPL 250 Ton 45 mm

*Included in LPL2502K Seal Kit. N/A - Not Available.

Repair Parts List for Model LPL-4002

Item	Part Number	Qty.	Description
1	* BSS5145D	32"	Strip, Red 1/4"
2	BSS6348D	1	Plug
3	CBE1233028-1D	1	Screw, Low Head SHC M12 x 50 Zinc
4	* CU765026	1	Warning Decal, 0.75" x 0.94"
5	* DA3128026	1	Plunger Caution Warning Decal
6	* DA5625026	1	Warning Decal, 2.19" x 3.18"
7	DB8050667	2	Eyebolt, Rotating, M8
8	DB8107108	1	Washer, Steel 13 x 50 x 3 Zinc
9	* DB8176076	1	Piston Seal 270 x 254,5 x 6,3
10	CR400	1	Female Coupler
11	CD411D	1	Dust Cap
12	* DD2459026	1	Decal, Enerpac
13	LPL400008	1	Lock Nut LPL 400 Ton
14	LPL400045	1	Saddle LPL 400 Ton
15	N/A	1	Base LPL 400 Ton 45 mm
16	LPL4002040	1	Plunger LPL 400 Ton 45 mm

*Included in LPL4002K Seal Kit. N/A - Not Available.

Repair Parts List for Model LPL-5002

Item	Part Number	Qty.	Description
1	* BSS5145D	36"	Strip, Red 1/4"
2	BSS6348D	1	Plug
3	CBE1233028-1D	1	Screw, Low Head SHC M12 x 50 Zinc
4	* CU765026	1	Warning Decal, 0.75" x 0.94"
5	* DA3128026	1	Plunger Caution Warning Decal
6	* DA5625026	1	Warning Decal, 2.19" x 3.18"
7	DB8050667	2	Eyebolt, Rotating, M8
8	DB8107108	1	Washer, Steel 13 x 50 x 3 Zinc
9	* DB8177076	1	Piston Seal 305 x 289,5 x 6,3
10	CR400	1	Female Coupler
11	CD411D	1	Dust Cap
12	* DD1042026	1	Decal, Enerpac
13	LPL500008	1	Lock Nut LPL 500 Ton
14	LPL500045	1	Saddle LPL 500 Ton
15	N/A	1	Base LPL 500 Ton 45 mm
16	LPL5002040	1	Plunger LPL 500 Ton 45 mm

*Included in LPL5002K Seal Kit. N/A - Not Available.



Service Information – LPL Series Cylinders			
Fig.	Item	Reference	Torque / Remarks
1, 3	2, 10		55,0-81,0 Nm [40-60 ft-lbs.]
1, 3	3		Apply Loctite 242 or 243
1, 2	7		9,0-11,0 Nm [80-100 in-lbs.]
3	-		Apply Grease

NOTES:

A large rectangular frame containing horizontal lines, intended for taking notes.

ENERPAC 

POWERFUL SOLUTIONS. GLOBAL FORCE.

www.enerpac.com