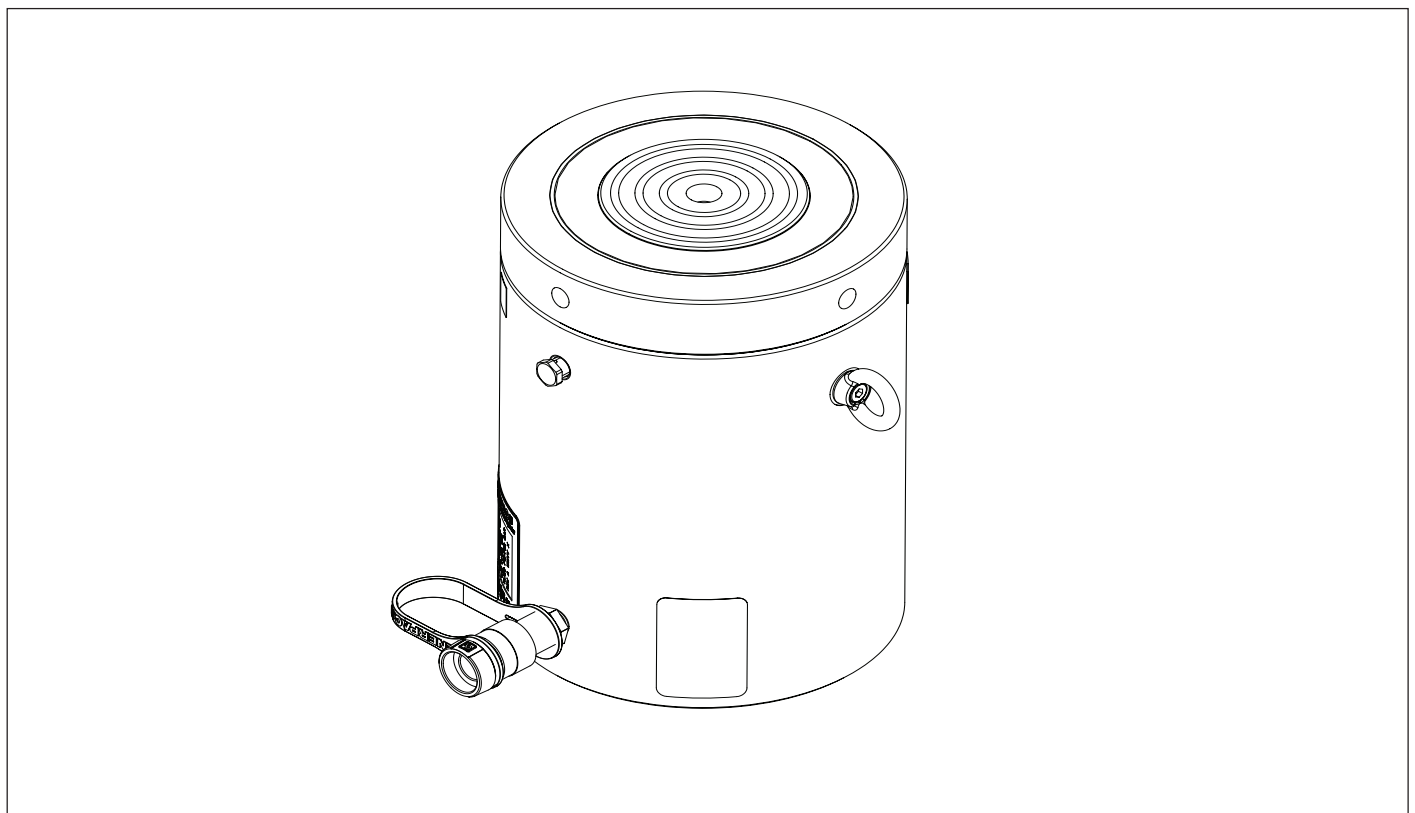


Document Number	Document Revision	Document Revision Date	Product Date Code Beginning With
L4203	B	11/2017	A

**NOTICE:**

Enerpac recommends the installation of all parts included in a service assembly or repair kit to ensure optimum performance of the repaired product.

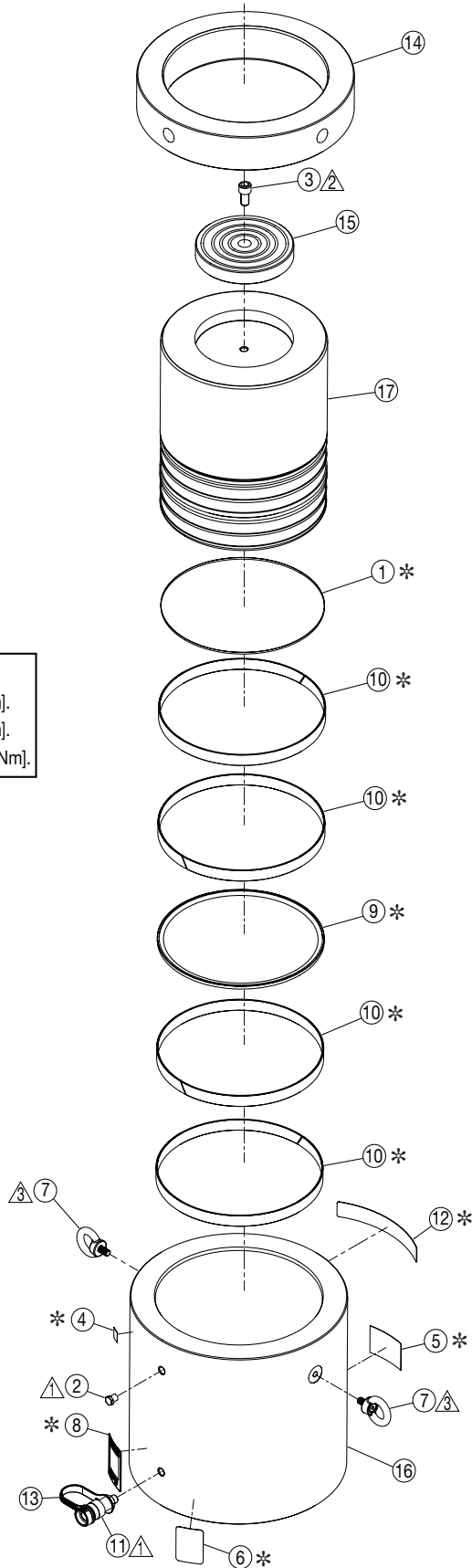


**Table of Contents:**

	Page		Page
Figure 1, Model HCL-600 .....	2-3	Figure 3, Model HCL-1000 .....	6-7
Figure 2, Model HCL-800 .....	4-5		

**Figure 1, Exploded View - Model HCL-600**

NOTES:  
 ⚠ Torque to 40 - 60 ft-lbs [55 - 81 Nm].  
 ⚠ Torque to 30 - 40 ft-lbs [41 - 54 Nm].  
 ⚠ Torque to 200 - 240 in-lbs [23 - 27 Nm].

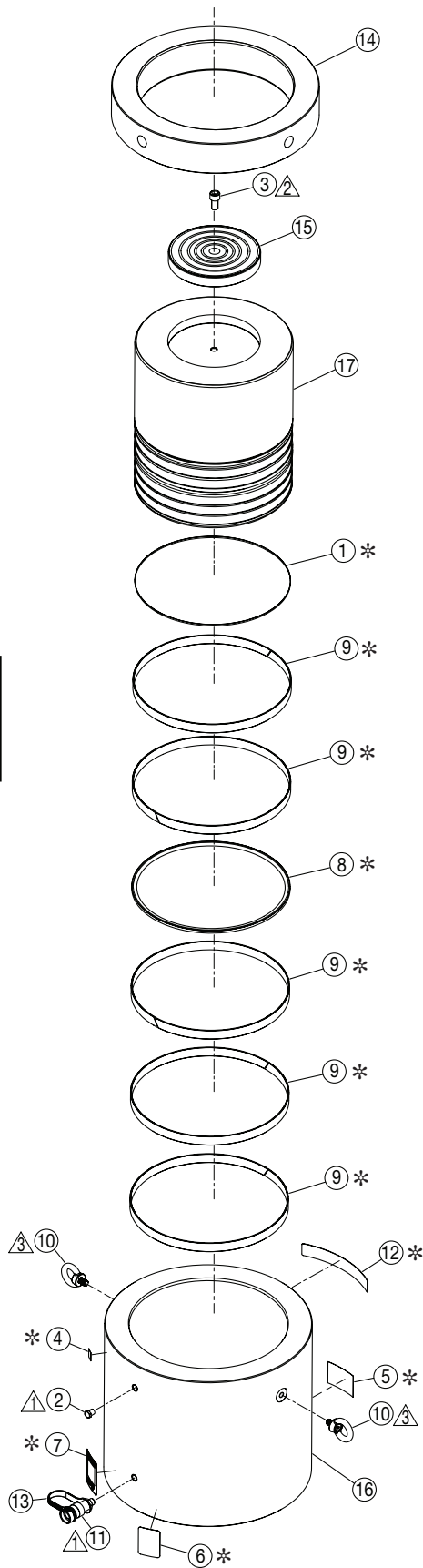


**Repair Parts List for Figure 1**

<b>Item</b>	<b>Part Number</b>	<b>Qty.</b>	<b>Description</b>
1	* BSS5145D	40"	Strip, Red 1/4" Wide
2	BSS6349D	1	Plug
3	CBE1625028-1A	1	Screw, SHC M16 x 30 Zinc
4	* CU765026	1	Warning Decal, 0.75" x 0.94"
5	* DA3128026	1	Plunger Caution Warning Decal
6	* DA5625026	1	Warning Decal, 2.19" x 3.18"
7	DB8086667	2	Eyebolt, Rotating, M12
8	* DB8100026	1	Decal, Product Specification
9	* DB8151076	1	Piston Seal 330 x 305,5 x 8,1
10	* DB8153155	4	Bearing, Piston 330 x 25
11	CR400	1	Female Coupler
12	* DC9596026	1	Decal, Enerpac
13	CD411D	1	Dust Cap
14	HCL600008	1	Lock Nut HCL 600 Ton
15	HCL600045	1	Saddle HCL 600 Ton
16	N/A	1	Base HCL 600 Ton 50 mm
	N/A	1	Base HCL 600 Ton 100 mm
	N/A	1	Base HCL 600 Ton 150 mm
	N/A	1	Base HCL 600 Ton 200 mm
	N/A	1	Base HCL 600 Ton 250 mm
	N/A	1	Base HCL 600 Ton 300 mm
17	HCL6002040	1	Plunger HCL 600 Ton 50 mm
	HCL6004040	1	Plunger HCL 600 Ton 100 mm
	HCL6006040	1	Plunger HCL 600 Ton 150 mm
	HCL6008040	1	Plunger HCL 600 Ton 200 mm
	HCL60010040	1	Plunger HCL 600 Ton 250 mm
	HCL60012040	1	Plunger HCL 600 Ton 300 mm
* Included in HCL600K Seal Kit. N/A - Not Available.			

**Figure 2, Exploded View - Model HCL-800**

NOTES:  
 ▲ Torque to 40 - 60 ft-lbs [55 - 81 Nm].  
 ▲ Torque to 30 - 40 ft-lbs [41 - 54 Nm].  
 ▲ Torque to 240 - 290 in-lbs [27 - 33 Nm].

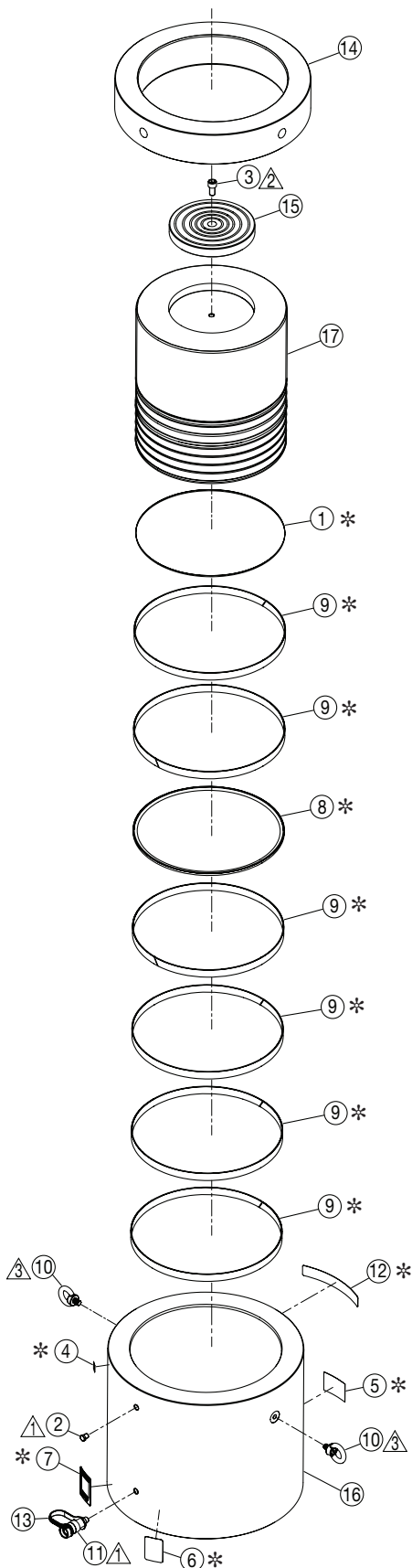


Repair Parts List for Figure 2			
Item	Part Number	Qty.	Description
1	* BSS5145D	46.75"	Strip, Red 1/4" Wide
2	BSS6349D	1	Plug
3	CBE1625028-1A	1	Screw, SHC M16 x 30 Zinc
4	* CU765026	1	Warning Decal, 0.75" x 0.94"
5	* DA3128026	1	Plunger Caution Warning Decal
6	* DA5625026	1	Warning Decal, 2.19" x 3.18"
7	* DB8100026	1	Decal, Product Specification
8	* DB8156076	1	Piston Seal 385 x 360,5 x 8,1
9	* DB8158155	5	Bearing, Piston 385 x 25
10	DB8168667	2	Eyebolt, Rotating, M14
11	CR400	1	Female Coupler
12	* DC9596026	1	Decal, Enerpac
13	CD411D	1	Dust Cap
14	HCL800008	1	Lock Nut HCL 800 Ton
15	HCL800045	1	Saddle HCL 800 Ton
16	N/A	1	Base HCL 800 Ton 50 mm
	N/A	1	Base HCL 800 Ton 100 mm
	N/A	1	Base HCL 800 Ton 150 mm
	N/A	1	Base HCL 800 Ton 200 mm
	N/A	1	Base HCL 800 Ton 250 mm
	N/A	1	Base HCL 800 Ton 300 mm
17	HCL8002040	1	Plunger HCL 800 Ton 50 mm
	HCL8004040	1	Plunger HCL 800 Ton 100 mm
	HCL8006040	1	Plunger HCL 800 Ton 150 mm
	HCL8008040	1	Plunger HCL 800 Ton 200 mm
	HCL80010040	1	Plunger HCL 800 Ton 250 mm
	HCL80012040	1	Plunger HCL 800 Ton 300 mm

\*Included in HCL800K Seal Kit. N/A - Not Available.

**Figure 3, Exploded View - Model HCL-1000**

NOTES:  
 ▲ Torque to 40 - 60 ft-lbs [55 - 81 Nm].  
 ▲ Torque to 30 - 40 ft-lbs [41 - 54 Nm].  
 ▲ Torque to 240 - 290 in-lbs [27 - 33 Nm].



**Repair Parts List for Figure 3**

<b>Item</b>	<b>Part Number</b>	<b>Qty.</b>	<b>Description</b>
1	* BSS5145D	53.5"	Strip, Red 1/4" Wide
2	BSS6349D	1	Plug
3	CBE1625028-1A	1	Screw, SHC M16 x 30 Zinc
4	* CU765026	1	Warning Decal, 0.75" x 0.94"
5	* DA3128026	1	Plunger Caution Warning Decal
6	* DA5625026	1	Warning Decal, 2.19" x 3.18"
7	* DB8100026	1	Decal, Product Specification
8	* DB8163076	1	Piston Seal 440 x 415,5 x 8,1
9	* DB8165155	6	Bearing, Piston 440 x 25
10	DB8168667	2	Eyebolt, Rotating, M14
11	CR400	1	Female Coupler
12	* DC9596026	1	Decal, Enerpac
13	CD411D	1	Dust Cap
14	HCL1000008	1	Lock Nut HCL 1000 Ton
15	HCL1000045	1	Saddle HCL 1000 Ton
16	N/A	1	Base HCL 1000 Ton 50 mm
	N/A	1	Base HCL 1000 Ton 100 mm
	N/A	1	Base HCL 1000 Ton 150 mm
	N/A	1	Base HCL 1000 Ton 200 mm
	N/A	1	Base HCL 1000 Ton 250 mm
	N/A	1	Base HCL 1000 Ton 300 mm
17	HCL10002040	1	Plunger HCL 1000 Ton 50 mm
	HCL10004040	1	Plunger HCL 1000 Ton 100 mm
	HCL10006040	1	Plunger HCL 1000 Ton 150 mm
	HCL10008040	1	Plunger HCL 1000 Ton 200 mm
	HCL100010040	1	Plunger HCL 1000 Ton 250 mm
	HCL100012040	1	Plunger HCL 1000 Ton 300 mm

\* Included in HCL1000K Seal Kit. N/A - Not Available.

