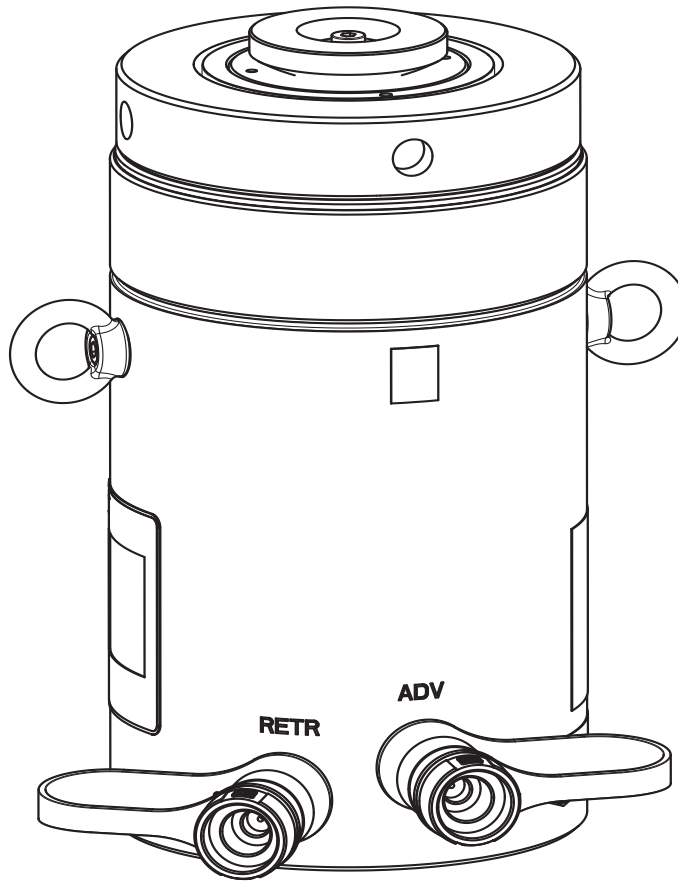


Document Number	Document Revision	Document Revision Date	Product Date Code Beginning With
L4248	B	07/2018	A

**NOTICE:**

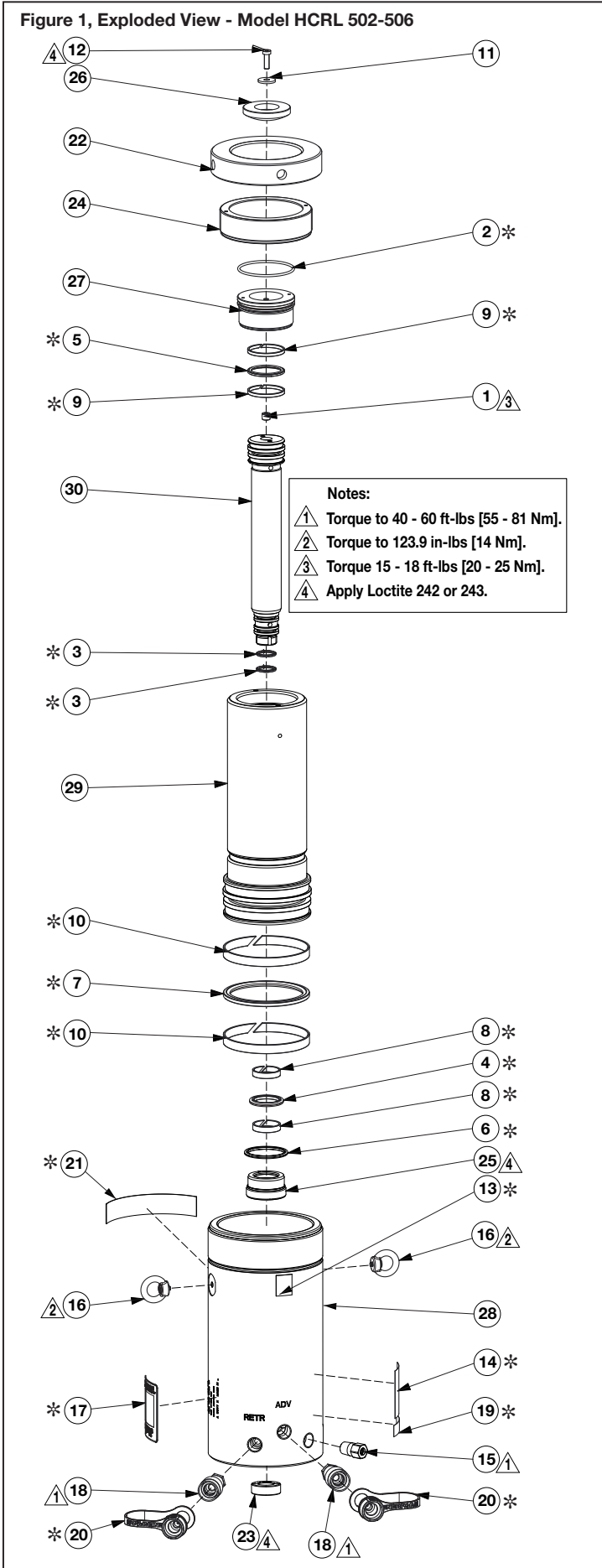
Enerpac recommends the installation of all parts included in a service assembly or repair kit to ensure optimum performance of the repaired product.



**Table of Contents:**

	Page		Page
Figure 1, Model HCRL-50 Short .....	2	Figure 2, Model HCRL-50 Tall .....	3

Figure 1, Exploded View - Model HCRL 502-506

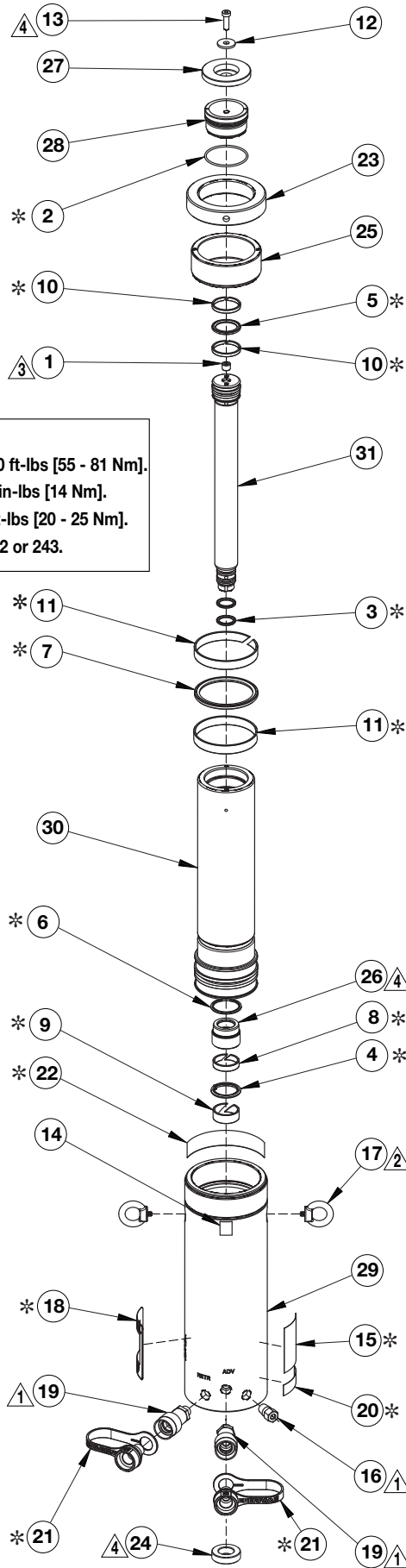


Repair Parts List for Figure 1

Item	Part Number	Qty.	Description
1	A1008245	1	1/4 Flush Plug W/Sealant
2	* B1279503	1	Service Only O-Ring
3	* BA0030513	2	Piston Seal 30 x 22.5 x 3.2
4	* BA0036514-1	1	Rod Seal 36 x 46.7 x 4.2
5	* BA0045513	1	Piston Seal 45 x 34 x 4.2
6	* BA0055514X	1	Rod Seal 55 x 65.7 x 4.2
7	* BA0100513	1	Piston Seal 100 x 84.5 x 6.3
8	* BAB0036141	2	Bearing 36 x 41 x 5.6 x 2.5
9	* BBB0045141	2	Bearing 45 x 40 x 5.6 x 2.5
10	* BBC0100141	2	Bearing 100 x 95 x 9.7 x 2.5
11	CAC1080108-3A	1	Washer 9 x 28 x 3 DIN440 R-ST
12	CBA823028-1D	1	Screw, Low Socket Head M8 x 1.25 x 25L Plain
13	* CU765026	1	Warning Decal
14	* DA5625026	1	Warning Decal
15	DB8049900	1	Relief Valve Assembly
16	DB8099667	2	Eyebolt, Rotating, M6
17	* DB8100026	1	Decal, Product Specification
18	DC1389900	2	Female Coupler
19	* DC6154026	1	Warning Decal
20	* DD1782020	2	Dust Cap
21	* DD2459026	1	Decal, Enerpac
22	HCRL50008	1	Nut HCRL 50
23	HCRL50008-1	1	Nut HCRL 50
24	HCRL50044	1	Stop Ring HCRL 50 Ton
25	HCRL50044-3	1	Stop Ring HCRL Small
26	HCRL50045	1	Saddle HCRL 50
27	HCRL50045-1	1	Tilt Saddle - Lower HCRL 50 Ton
28	N/A	1	Base HCRL 50 Ton 50 mm
	N/A	1	Base HCRL 50 Ton 100 mm
	N/A	1	Base HCRL 50 Ton 150 mm
29	N/A	1	Plunger HCRL 50 Ton 50 mm
	N/A	1	Plunger HCRL 50 Ton 100 mm
	N/A	1	Plunger HCRL 50 Ton 150 mm
30	N/A	1	Plunger-Int HCRL 50 Ton 50 mm
	N/A	1	Plunger-Int HCRL 50 Ton 100 mm
	N/A	1	Plunger-Int HCRL 50 Ton 150 mm

\* Included in HCRL502K Repair Kit. N/A - Item not available.

Figure 2, Exploded View - Model HCRL 508-5012



**Notes:**

- 1 Torque to 40 - 60 ft-lbs [55 - 81 Nm].
- 2 Torque to 123.9 in-lbs [14 Nm].
- 3 Torque 15 - 18 ft-lbs [20 - 25 Nm].
- 4 Apply Loctite 242 or 243.

Repair Parts List for Figure 2

Item	Part Number	Qty.	Description
1	A1008245	1	1/4 Flush Plug W/Sealant
2	* B1279503	1	Service Only O-Ring
3	* BA0030513	2	Piston Seal 30 x 22.5 x 3.2
4	* BA0036514-1	1	Rod Seal 36 x 46.7 x 4.2
5	* BA0045513	1	Piston Seal 45 x 34 x 4.2
6	* BA0055514X	1	Rod Seal 55 x 65.7 x 4.2
7	* BA0100513	1	Piston Seal 100 x 84.5 x 6.3
8	* BAC0036141	1	Bearing 36 x 41 x 9.7
9	* BAD0036141	1	Bearing 36 x 41 x 15
10	* BBB0045141	2	Bearing Piston 45 x 40 x 5.6
11	* BBD0100141	2	Bearing Piston 100 x 95 x 15
12	CAC1080108-3A	1	Washer 9 x 28 x 3 DIN440 R-ST
13	CBA823028-1D	1	Screw, Low Socket Head M8 x 1.25 x 25L Plain
14	* CU765026	1	Warning Decal
15	* DA5625026	1	Warning Decal
16	DB8049900	1	Relief Valve Assembly
17	DB8099667	2	Eyebolt, Rotating, M6
18	* DB8100026	1	Decal, Product Specification
19	DC1389900	2	Female Coupler
20	* DC6154026	1	Warning Decal
21	* DD1782020	2	Dust Cap
22	* DD2459026	1	Decal, Enerpac
23	HCRL50008	1	Nut HCRL 50
24	HCRL50008-1	1	Nut HCRL 50
25	HCRL50044-1	1	Stop Ring HCRL 50 Ton
26	HCRL50044-2	1	Stop Ring HCRL Large
27	HCRL50045	1	Saddle HCRL 50
28	HCRL50045-1	1	Tilt Saddle - Lower HCRL 50 Ton
29	N/A	1	Base HCRL 50 Ton 200mm
	N/A	1	Base HCRL 50 Ton 250mm
	N/A	1	Base HCRL 50 Ton 300mm
30	N/A	1	Plunger HCRL 50 Ton 200mm
	N/A	1	Plunger HCRL 50 Ton 250mm
	N/A	1	Plunger HCRL 50 Ton 300mm
31	N/A	1	Plunger-Int HCRL 50 Ton 200mm
	N/A	1	Plunger-Int HCRL 50 Ton 250mm
	N/A	1	Plunger-Int HCRL 50 Ton 300mm

\* Included in HCRL508K Repair Kit. N/A - Item not available.

