

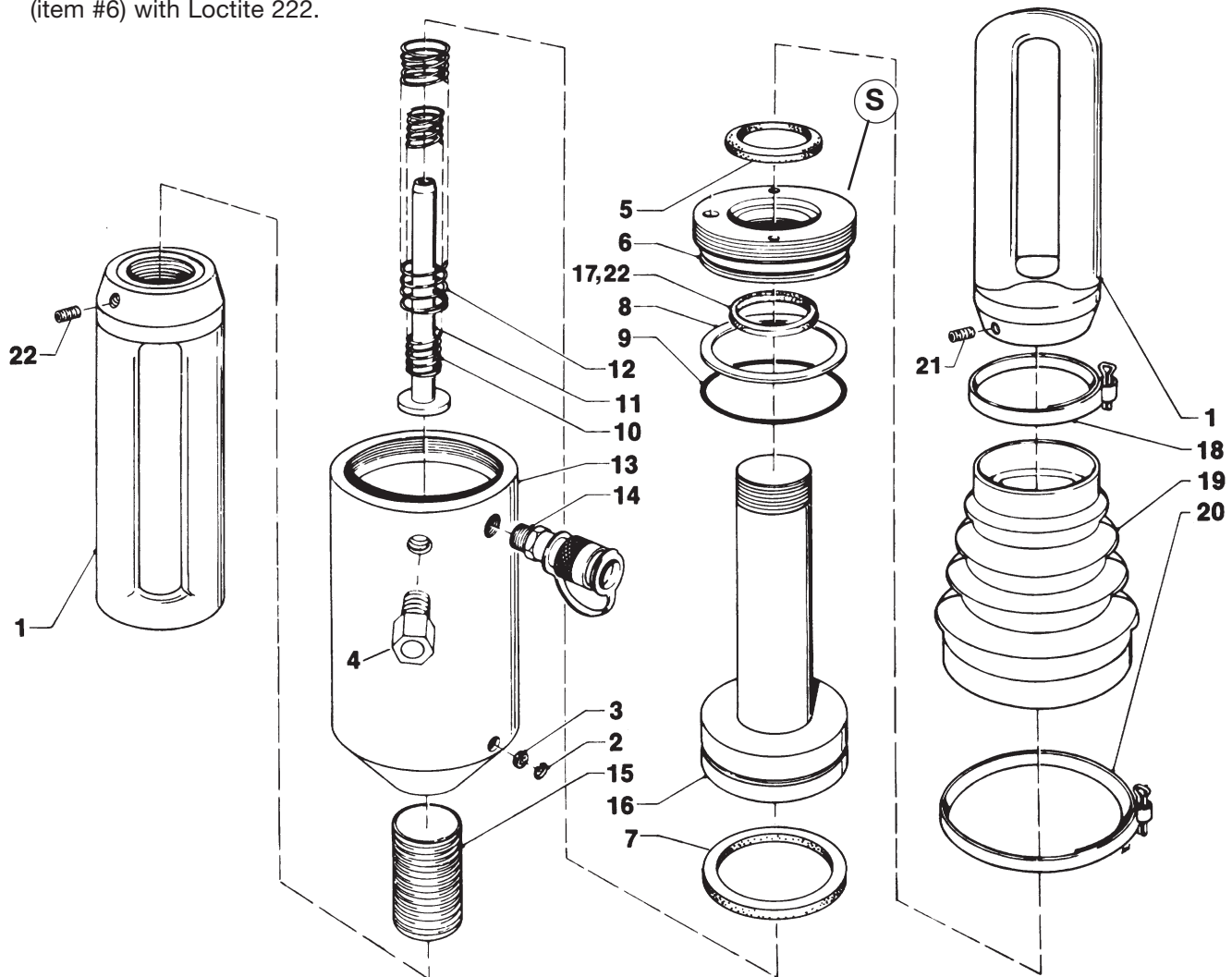
To Protect Your Warranty, Use Only ENERPAC Hydraulic Oil.

Enerpac recommends that all kit components be installed to insure optimum performance of the repaired product.

NOTE: Safety valve (item #4) to be preset to 11,000 - 11,500 psi. [760-795 Bar]

NOTE: Secure stop ring (item #6) with Loctite 222.

CAUTION: **S** indicates staked threads. Stake mark must be removed prior to disassembly. Failure to do so may result in damage to parts. Some cylinder stop rings are assembled with Loctite on threads. Enerpac suggests staking threads when reassembling.



CAUTION: To protect cylinder seals from damage, do not rotate the plunger.

IMPORTANT: Cylinders manufactured before 7/91 included spring guides, item 11, which were press fit into the cylinder base. These press-fit spring guides are not available as separate service items. However, cylinders manufactured after 7/91 included separate, threaded spring guides and cylinder bases. These threaded spring guides are available as service items. (See items 11 and 13 on parts list.)

REPAIR PARTS LIST

Item No.	BRP-606	BRP-1006	Quantity	Description
1	BSS3357D	BSS3359D	2	Link
2	F533049	F533049	1	Retaining Ring
3	* F532018	* F532018	1	Filter
4	CJ160900	CJ160900	1	Relief Valve Assembly
5	* CA304044	* BSS2697D	1	Wiper Seal
6	CS376044	CS377044	1	Stop Ring
7	* BSS2689D	* BSS2701D	1	Seal
8	* DD4872565	* B1357565	1	Back-Up Ring
9	* B1345903	* B1357903	1	O-Ring
10	---	BSS2703D	1	Spring
11	CY975013	CY975013	1	Spring Guide (threaded version)
12	BSS2691D	BSS2691D	1	Spring
13	CS378030SR	CS379030SR	1	Cylinder (includes spring guide)
14	CR400	CR400	1	Half Coupler
15	BSS2694D	BSS2705D	1	Insert
16	CS375040	BSS2702D	1	Plunger
17	* CS374041	* BSS2700D	1	Seal
18	CH601299	CH601299	1	Clamp
19	BSS3360D	BSS3361D	1	Bellow
20	CN420299	CH602299	1	Clamp
21	CS44028	CS44028	2	Set Screw
22	* B1033503	--	1	O-Ring
23	CF103026	CF103026	1	Enerpac Decal (not shown)
24	DA5625026	DA5625026	1	Warning Decal (not shown)
25	DA6027026	DA6027026	1	Warning Decal (not shown)
	BRP606K1	BRP1006K	--	Repair Kit

*Indicates items included in, and available only as part of the Repair Kit.

- | | | |
|--|---|---|
| <p>Australia and New Zealand
 Aquant Australia Ltd.
 Block V Unit 3
 Regents Park Estate
 391 Park Road
 Regents Park NSW 2143
 P.O. Box 2611 Australia
 T +61 (0)2 9743 8988
 F +61 (0)2 9743 8648
 sales-au@enerpac.com</p> <p>Brazil
 Power Packer do Brasil Ltda.
 Rua Luiz Lavrie Reid, 548
 09930-760 - Diadema (SP) - Brazil
 T +55 11 5657 2211
 Toll Free: 0800 891 5770
 vendasbras@enerpac.com</p> <p>China (Taiwang)
 Aquant (China) Industries Co. Ltd.
 No. 6 Nanjing East Road,
 Taicang Economic Dep Zone
 Jiangsu, China
 T +86 0512 5298 7500
 F +86 0512 5335 9690
 Toll Free: +86 400 885 0369
 sales-cn@enerpac.com</p> <p>France, Switzerland, North Africa and French speaking African countries
 ENERPAC
 Une division d'ACTUANT France S.A.S.
 ZA de Courtabœuf
 32, avenue de la Bâillie
 91140 VILLEON/VYETTE
 France
 T +33 1 60 13 68 68
 F +33 1 69 20 57 50
 sales-fr@enerpac.com</p> <p>Germany and Austria
 ENERPAC GmbH
 P.O. Box 300113
 D-40401 Düsseldorf
 Willstätterstrasse 13
 D-40549 Düsseldorf, Germany
 T +49 211 471 490
 F +49 211 471 49 28
 sales-de@enerpac.com</p> <p>India
 ENERPAC Hydraulics (India) Pvt. Ltd.
 No. 10, Balarj Road, Sedastivanagar,
 Bangalore, Karnataka 560 080
 India
 T +91 80 3928 9000
 info@enerpac.co.in
 www.enerpac.com</p> <p>Italy
 ENERPAC S.p.A.
 Via Canova 4
 20094 Corsico (Milano)
 T +39 02 4861 111
 F +39 02 4860 1286
 sales-it@enerpac.com</p> | <p>Japan
 Applied Power Japan LTD KK
 Besshochō 85-7
 Kita-ku, Saitama-shi 331-0821, Japan
 T +81 48 682 4911
 F +81 48 682 4955
 sales-jp@enerpac.com</p> <p>Middle East, Egypt and Libya
 ENERPAC Middle East FZE
 Office 423, LOB 15
 P.O. Box 18004, Jebel Ali, Dubai
 United Arab Emirates
 T +971 (0)4 8872686
 F +971 (0)4 8872687
 sales-uae@enerpac.com</p> <p>Russia
 Rep. office Enerpac
 Russian Federation
 Admiralty Malakova Street 8
 125212 Moscow, Russia
 T +7 495 98090 91
 F +7 495 98090 92
 sales-ru@enerpac.com</p> <p>Southeast Asia, Hong Kong and Taiwan
 Aquant Asia Pte Ltd.
 83 Joo Koon Circle
 Singapore 629109
 T +65 68 63 0611
 F +65 64 84 5689
 Toll Free: +1800 363 7722
 sales-sg@enerpac.com</p> <p>South Korea
 Aquant Korea Ltd.
 3Ba 717, Shilwa Industrial Complex
 Jungnang-Dong, Shilung-Shi,
 Kyunggi-Do
 Republic of Korea 429-450
 T +82 31 434 4506
 F +82 31 434 4507
 sales-kr@enerpac.com</p> <p>Spain and Portugal
 ENERPAC SPAIN, S.L.
 Avda. Los Falles, 40 - Nave C & D
 Pol. Ind. Los Falles
 28814, Dagaño de Arriba
 (Madrid) Spain
 T +34 91 884 86 06
 F +34 91 884 86 11
 sales-es@enerpac.com</p> <p>Sweden, Denmark, Norway, Finland and Iceland
 Enerpac Scandinavia AB
 Koppartundsvägen 14,
 721 30 Västerås
 Sweden
 T +46 (0) 771 41 50 00
 scandnavianinquiries@enerpac.com</p> | <p>The Netherlands, Belgium, Luxemburg, Central and Eastern Europe, Baltic States, Greece, Turkey and CIS countries
 ENERPAC B.V.
 Galvanstraat 115, 6716 AE Ede
 P.O. Box 8097, 6710 AB Ede
 The Netherlands
 T +31 318 535 911
 F +31 318 535 848
 sales-nl@enerpac.com</p> <p>Enerpac Integrated Solutions B.V.
 Opeastrat 44, 7554 TS Hengelo
 P.O. Box 421, 7550 AK Hengelo
 The Netherlands
 T +31 74 242 20 45
 F +31 74 243 03 38
 integratedsolutions@enerpac.com</p> <p>South Africa and other English speaking African countries
 Enerpac Africa Pty Ltd.
 No. 5 Baurhinia Avenue
 Cambridge Office Park
 Block E
 Highveld Techno Park
 Centurion 0157
 Republic of South Africa
 T: +27 12 940 0656</p> <p>United Kingdom and Ireland
 ENERPAC UK Ltd.
 5 Coopers Field
 Morepeth, Northumberland
 NE61 6JR, England
 T +44 (0) 1670 5016 50
 F +44 (0) 1670 5016 51
 sales-uk@enerpac.com</p> <p>USA, Latin America and Caribbean
 ENERPAC World Headquarters
 P.O. Box 3241
 Milwaukee WI 53201-3241 USA
 N86 W12500 Westbrook Crossing
 Menomonee Falls, Wisconsin 53051
 T +1 262 293 1600
 F +1 262 293 7036
 User inquiries:
 T +1 800 493 2766
 Distributor inquiries/orders:
 T +1 800 558 0530
 F +1 800 628 0490
 Technical inquiries:
 technicalservices@enerpac.com
 sales-us@enerpac.com</p> |
|--|---|---|

◆ e-mail: info@enerpac.com ◆ Internet: www.enerpac.com

All Enerpac products are guaranteed against defects in workmanship and materials for as long as you own them.

For the location of your nearest authorized Enerpac Service Center, visit us at www.enerpac.com