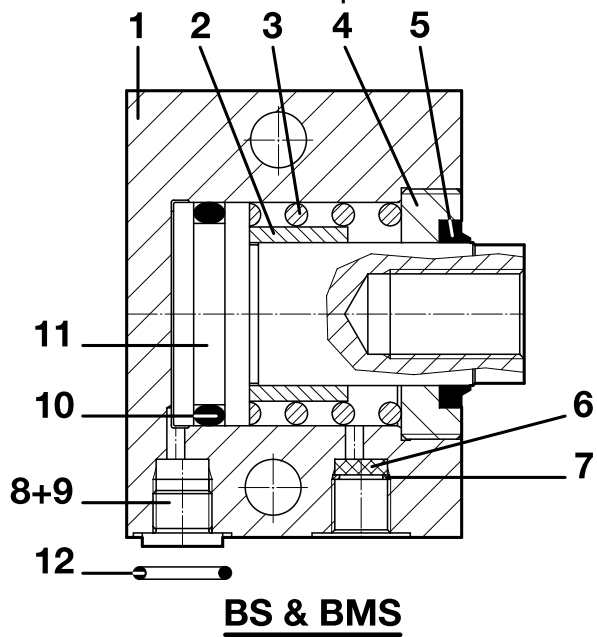
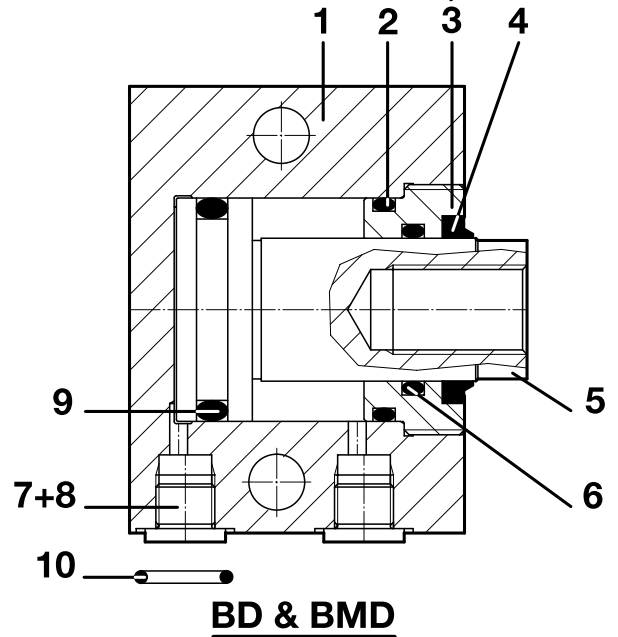


RPS 69.164-1 Rev. A 11/2007

Use LOCTITE 222



Use LOCTITE 222



When ordering spare parts always specify the complete rollstamp number of the cylinder.
Pour toute commande de pièces détachées veuillez bien préciser le numéro complet du verin.
Bei Bestellung Ersatzteile bitte komplette Produktkodierung der Zylinder angeben.
Quando ordinati eventuali parti di ricambio vogliate indicare il numero stampigliate sulla cilindri.
Cuando solicite repuestos especifique siempre el numero completo estampado en el cilindro.

TO PROTECT YOUR WARRANTY, ONLY USE ENERPAC HYDRAULIC OIL.
POUR PRESERVER VOTRE GARANTIE, UTILISER UNIQUEMENT DE L'HUILE ENERPAC.
VERWENDEN SIE NUR ENERPAC HYDRAULIKÖL, DAMIT DIE GEWÄHRLEISTUNG ERHALTEN BLEIBT.
PER RENDERE EFFICACE LA VOSTRA GARANZIA USATE SEMPRE E SOLO OLIO ENERPAC.
PARA PRESERVAR LA GARANTIA, USE SOLO ACEITE HIDRAULICO ENERPAC.

| Item No. | BS-40121 BS-40121V version 0 | BMS-40121 BMS-40121V version 0 | BS-40122 BS-40122V version 0 | BMS-40122 BMS-40122V version 0 | BS-40251 BS-40251V version 0 | BMS-40251 BMS-40251V version 0 | BS-40252 BS-40252V version 0 | Qty |
|----------|---|---|---|---|---|---|---|-----|
| 1 | CZ 868.005 | CZ 870.005 | CZ 867.005 | CZ 870.005 | CZ 874.005 | CZ 876.005 | CZ 873.005 | 1x |
| 2A | CZ 882.039 | CZ 882.039 | CZ 882.039 | CZ 882.039 | CZ 883.039 | CZ 883.039 | CZ 883.039 | 1x |
| •3 | CZ 880.110 | CZ 880.110 | CZ 880.110 | CZ 880.110 | CZ 881.110 | CZ 881.110 | CZ 881.110 | 1x |
| 4 | PA2707044 | PA2707044 | PA2707044 | PA2707044 | PA2707044 | PA2707044 | PA2707044 | 1x |
| *5A | CS 280.041 | CS 280.041 | CS 280.041 | CS 280.041 | CS 280.041 | CS 280.041 | CS 280.041 | 1x |
| •5B | CY 549.041 | CY 549.041 | CY 549.041 | CY 549.041 | CY 549.041 | CY 549.041 | CY 549.041 | 1x |
| 6 | F 532.018 | -- | CY 17.018 | -- | F 532.018 | -- | CY 17.018 | 1x |
| 7 | F 533.049 | -- | CCA1011.044-1C | -- | F 533.049 | -- | CCA1011.044-1C | 1x |
| 8 | B1023.271 | -- | CV 853.271 | -- | B1023.271 | -- | CV 853.271 | 1x |
| 9 | B1007.503 | -- | B1219.503 | -- | B1007.503 | -- | B1219.503 | 1x |
| *10A | B1219.803 | B1219.803 | B1219.803 | B1219.803 | B1219.803 | B1219.803 | B1219.803 | 1x |
| •10B | B1219.203 | B1219.203 | B1219.203 | B1219.203 | B1219.203 | B1219.203 | B1219.203 | 1x |
| 11 | CZ 887.040 | CZ 887.040 | PA2708040 | PA2708040 | CZ 888.040 | CZ 888.040 | PA2709040 | 1x |
| *12A | -- | CZ 392.041 | -- | CZ 392.041 | -- | CZ 392.041 | -- | 2x |
| •12B | -- | CZ 398.041 | -- | CZ 398.041 | -- | CZ 398.041 | -- | 2x |
| * • | BD-40252-K BD-40252-KV | BD-40252-K BD-40252-KV | BD-40252-K BD-40252-KV | BD-40252-K BD-40252-KV | BD-40252-K BD-40252-KV | BD-40252-K BD-40252-KV | BD-40252-K BD-40252-KV | |

| Item No. | BD-40251 BD-40251V version 0 | BMD-40251 BMD-40251V version 0 | BD-40252 BD-40252V version 0 | BMD-40252 BMD-40252V version 0 | BD-40501 BD-40501V version 0 | BMD-40501 BMD-40501V version 0 | BD-40502 BD-40502V version 0 | Qty |
|----------|---|---|---|---|---|---|---|-----|
| 1 | CZ 868.005 | CZ 870.005 | CZ 867.005 | CZ 870.005 | CZ 874.005 | CZ 876.005 | CZ 873.005 | 1x |
| *2A | B1126.903 | B1126.903 | B1126.903 | B1126.903 | B1126.903 | B1126.903 | B1126.903 | 1x |
| •2B | B1126.203 | B1126.203 | B1126.203 | B1126.203 | B1126.203 | B1126.203 | B1126.203 | 1x |
| 3 | CZ 879.044 | CZ 879.044 | CZ 879.044 | CZ 879.044 | CZ 879.044 | CZ 879.044 | CZ 879.044 | 1x |
| *4A | CS 280.041 | CS 280.041 | CS 280.041 | CS 280.041 | CS 280.041 | CS 280.041 | CS 280.041 | 1x |
| •4B | CY 549.041 | CY 549.041 | CY 549.041 | CY 549.041 | CY 549.041 | CY 549.041 | CY 549.041 | 1x |
| 5 | CZ 887.040 | CZ 887.040 | CZ 885.040 | CZ 885.040 | CZ 888.040 | CZ 888.040 | CZ 886.040 | 1x |
| *6A | B1214.803 | B1214.803 | B1214.803 | B1214.803 | B1214.803 | B1214.803 | B1214.803 | 1x |
| •6B | B1214.203 | B1214.203 | B1214.203 | B1214.203 | B1214.203 | B1214.203 | B1214.203 | 1x |
| 7 | B1023.271 | -- | CV 853.271 | -- | B1023.271 | -- | CV 853.271 | 2x |
| 8 | B1007.503 | -- | B1219.503 | -- | B1007.503 | -- | B1219.503 | 2x |
| *9A | B1219.803 | B1219.803 | B1219.803 | B1219.803 | B1219.803 | B1219.803 | B1219.803 | 1x |
| •9B | B1219.203 | B1219.203 | B1219.203 | B1219.203 | B1219.203 | B1219.203 | B1219.203 | 1x |
| *10A | -- | CZ 392.041 | -- | CZ 392.041 | -- | CZ 392.041 | -- | 2x |
| •10B | -- | CZ 398.041 | -- | CZ 398.041 | -- | CZ 398.041 | -- | 2x |
| * • | BD-40252-K BD-40252-KV | BD-40252-K BD-40252-KV | BD-40252-K BD-40252-KV | BD-40252-K BD-40252-KV | BD-40252-K BD-40252-KV | BD-40252-K BD-40252-KV | BD-40252-K BD-40252-KV | |

| Item No. | BMS-40252 BMS-40252V version 0 | Qty | Description | Désignation | Bezeichnung | Descrizione | Descripción |
|----------|---|--------------------------------|--|---|---|--|--|
| 1 | CZ 876.005 | 1x | Base | Corps | Gehäuse | Corpo | Cuerpo |
| 2A | CZ 883.039 | 1x | Stopring Int. | Bague-guide | Innen Stoßring | Ghiera interna | Anillo reten interno |
| •3 | CZ 881.110 | 1x | Spring | Ressort | Feder | Molla | Muelle |
| 4 | PA2707044 | 1x | Stopring | Bague | Stoßring | Ghiera finecorsa | Anillo reten |
| *5A | CS 280.041 | 1x | Wiper | Joint racleur | Abstreifring | Raschiatore | Rascador |
| •5B | CY 549.041 | 1x | Wiper (Viton) | Joint racleur (Viton) | Abstreifring (Viton) | Raschiatore (Viton) | Rascador (Viton) |
| 6 | -- | 1x | Filter disc | Filtre | Filter | Filtro | Filtro |
| 7 | -- | 1x | Retaining ring | Circlips | Sicherungsring | Anello di ritegno | Junta tórica |
| 8 | -- | 1x | Plug | Bouchon | Stopfen | Tappo | Enchufe |
| 9 | -- | 1x | O-ring | O-ring | O-Ring | O-ring | Junta en O |
| *10A | B1219.803 | 1x | O-ring | O-ring | O-Ring | O-ring | Junta en O |
| •10B | B1219.203 | 1x | O-ring (Viton) | O-ring (Viton) | O-Ring (Viton) | O-ring (Viton) | Junta en O (Viton) |
| 11 | PA2709040 | 1x | Plunger | Piston | Kolben | Pistone | Embolo |
| *12A | CZ 392.041 | 2x | Manifold O-ring | O-ring Bloc foré | O-Ring Anschluß | O-ring Manifold | Junta en O Colector |
| •12B | CZ 398.041 | 2x | Manif. O-ring (Viton) | O-ring (Viton) Bloc foré | O-Ring Anschluß (Viton) | O-ring Manif. (Viton) | Junta en O (Viton) Col. |
| * • | BD-18202-K BD-18202-KV | • Viton Kit | * Repair Kit • Viton Kit Contains parts marked with * or • | * Pochette de réparation • Pochette de réparation Viton Contient les pièces marquées * ou • | * Ersatzteilpaket • Viton Ersatzteilpaket Enthält Teile bezeichnet mit * oder • | * La serie di ricambi • La serie di ricambi Viton Contiene tutte le voci contraddistinte dall' * o • | * Juego de reparación • Juego de reparación Viton Contiene las partes marcadas con * o • |
| Item No. | BMD-40502 BMD-40502V version 0 | Qty | Description | Désignation | Bezeichnung | Descrizione | Descripción |
| 1 | CZ 876.005 | 1x | Base | Corps | Gehäuse | Corpo | Cuerpo |
| *2A | B1126.903 | 1x | O-ring | O-ring | O-Ring | O-ring | Junta en O |
| •2B | B1126.203 | 1x | O-ring (Viton) | O-ring (Viton) | O-Ring (Viton) | O-ring (Viton) | Junta en O (Viton) |
| 3 | CZ 879.044 | 1x | Stopring | Bague | Stoßring | Ghiera finecorsa | Anillo reten |
| *4A | CS 280.041 | 1x | Wiper | Joint racleur | Abstreifring | Raschiatore | Rascador |
| •4B | CY 549.041 | 1x | Wiper (Viton) | Joint racleur (Viton) | Abstreifring (Viton) | Raschiatore (Viton) | Rascador (Viton) |
| 5 | CZ 886.040 | 1x | Plunger | Piston | Kolben | Pistone | Embolo |
| *6A | B1214.803 | 1x | O-ring | O-ring | O-Ring | O-ring | Junta en O |
| •6B | B1214.203 | 1x | O-ring (Viton) | O-ring (Viton) | O-Ring (Viton) | O-ring (Viton) | Junta en O (Viton) |
| 7 | -- | 2x | Plug | Bouchon | Stopfen | Tappo | Enchufe |
| 8 | -- | 2x | O-ring | O-ring | O-Ring | O-ring | Junta en O |
| *9A | B1219.803 | 1x | O-ring | O-ring | O-Ring | O-ring | Junta en O |
| •9B | B1219.203 | 1x | O-ring (Viton) | O-ring (Viton) | O-Ring (Viton) | O-ring (Viton) | Junta en O (Viton) |
| *10A | CZ 392.041 | 2x | Manifold O-ring | O-ring Bloc foré | O-Ring Anschluß | O-ring Manifold | Junta en O Colector |
| •10B | CZ 398.041 | 2x | Manif. O-ring (Viton) | O-ring (Viton) Bloc foré | O-Ring Anschluß (Viton) | O-ring Manif. (Viton) | Junta en O (Viton) Col. |
| * • | BD-40252-K BD-40252-KV | • Viton Kit | * Repair Kit • Viton Kit Contains parts marked with * or • | * Pochette de réparation • Pochette de réparation Viton Contient les pièces marquées * ou • | * Ersatzteilpaket • Viton Ersatzteilpaket Enthält Teile bezeichnet mit * oder • | * La serie di ricambi • La serie di ricambi Viton Contiene tutte le voci contraddistinte dall' * o • | * Juego de reparación • Juego de reparación Viton Contiene las partes marcadas con * o • |

Africa

ENERPAC Middle East FZE
Office 423, JAFZA 15
Jebel Ali Free Zone
P.O. Box 18004
Jebel Ali, Dubai
United Arab Emirates
Tel: +971 (0)4 8872686
Fax: +971 (0)4 8872687

Australia

Actuant Australia Ltd.
Block V Unit 3
Regents Park Estate
391 Park Road
Regents Park NSW 2143
(P.O. Box 261) Australia
Tel: +61 297 438 988
Fax: +61 297 438 648

Brazil

Power Packer do Brasil Ltda.
Rua dos Inocentes, 587
04764-050 - Sao Paulo (SP)
Tel: +55 11 5687 2211
Fax: +55 11 5686 5583
Toll Free in Brazil:
Tel: 0800 891 5770
vendasbrasil@enerpac.com

Canada

Actuant Canada Corporation
6615 Ordan Drive, Unit 14-15
Mississauga,
Ontario L5T 1X2
Tel: +1 905 564 5749
Fax: +1 905 564 0305
Toll Free:
Tel: +1 800 268 4987
Fax: +1 800 461 2456
Technical Inquiries:
techservices@enerpac.com

China

Actuant China Ltd.
1F, 269 Fute N. Road
Waigaoqiao Free Trade Zone
Pudong New District
Shanghai, 200 131 China
Tel: +86 21 5866 9099
Fax: +86 21 5866 7156

Actuant China Ltd. (Beijing)
709B Diyang Building
Xin No. 2
Dong San Huan North Rd.
Beijing City
100028 China
Tel: +86 10 845 36166
Fax: +86 10 845 36220

Central and Eastern Europe, Greece

ENERPAC GmbH
P.O. Box 300113
D-40401 Düsseldorf
Willstätterstrasse 13
D-40459 Düsseldorf, Germany
Tel: +49 211 471 490
Fax: +49 211 471 49 28

France, Switzerland francophone

ENERPAC
Une division de ACTUANT
France S.A.
ZA de Courtaboeuf
32, avenue de la Baltique
91140 VILLEBON /YVETTE
France
Tel: +33 1 60 13 68 68
Fax: +33 1 69 20 37 50

Germany, Austria and Switzerland

ENERPAC GmbH
P.O. Box 300113
D-40401 Düsseldorf
Willstätterstrasse 13
D-40459 Düsseldorf
Germany
Tel: +49 211 471 490
Fax: +49 211 471 49 28

India

ENERPAC Hydraulics
(India) Pvt. Ltd.
Office No. 9,10 & 11,
Plot No. 56, Monarch Plaza,
Sector 11, C.B.D. Belapur
Navi Mumbai 400614, India
Tel: +91 22 2756 6090
Tel: +91 22 2756 6091
Fax: +91 22 2756 6095

Italy

ENERPAC S.p.A.
Via Canova 4
20094 Corsico (Milano)
Tel: +39 02 4861 111
Fax: +39 02 4860 1288

Japan

Applied Power Japan LTD KK
Besshochou 85-7
Kita-ku,
Saitama-shi 331-0821
Japan
Tel: +81 48 662 4911
Fax: +81 48 662 4955

Middle East, Turkey and Caspian Sea

ENERPAC Middle East FZE
Office 423, JAFZA 15
Jebel Ali Free Zone
P.O. Box 18004,
Jebel Ali, Dubai
United Arab Emirates
Tel: +971 (0)4 8872686
Fax: +971 (0)4 8872687

Russia and CIS

(excl. Caspian Sea Countries)
Actuant LLC
Admiral Makarov Street 8
125212 Moscow,
Russia
Tel: +7-495-9809091
Fax: +7-495-9809092

Singapore

Actuant Asia Pte. Ltd.
37C, Benoi Road Pioneer Lot,
Singapore 627795
Thomson Road, P.O. Box 114
Singapore 915704
Tel: +65 64 84 5108
+65 64 84 3737
Fax: +65 64 84 5669
Toll Free:
Tel: +1800 363 7722
Technical Inquiries:
techsupport@enerpac.com.sg

South Korea

Actuant Korea Ltd.
3Ba 717,
Shihwa Industrial Complex
Jungwang-Dong, Shihung-Shi,
Kyunggi-Do,
Republic of Korea 429-450
Tel: +82 31 434 4506
Fax: +82 31 434 4507

Spain and Portugal

ENERPAC
C/San José Artesano 8
Pol. Ind.
28108 Alcobendas
(Madrid) Spain
Tel: +34 91 661 11 25
Fax: +34 91 661 47 89

The Netherlands, Belgium, Luxembourg, Sweden, Denmark, Norway, Finland and Baltic States

ENERPAC B.V.
Galvanistraat 115
6716 AE Ede
P.O. Box 8097
6710 AB Ede
The Netherlands
Tel: +31 318 535 911
Fax: +31 318 525 613
+31 318 535 848

Technical Inquiries Europe:
techsupport.europe@enerpac.com

United Kingdom and Ireland

ENERPAC Ltd.,
Bentley Road South
Darlaston, West Midlands
WS10 8LQ, England
Tel: +44 (0)121 50 50 787
Fax: +44 (0)121 50 50 799

USA, Latin America and Caribbean

ENERPAC
P.O. Box 3241
6100 N. Baker Road
Milwaukee, WI 53209 USA
Tel: +1 262 781 6600
Fax: +1 262 783 9562
User inquiries:
+1 800 433 2766
Distributor inquiries/orders:
+1 800 558 0530
Technical Inquiries:
techservices@enerpac.com

ENERPAC