

# ENERPAC

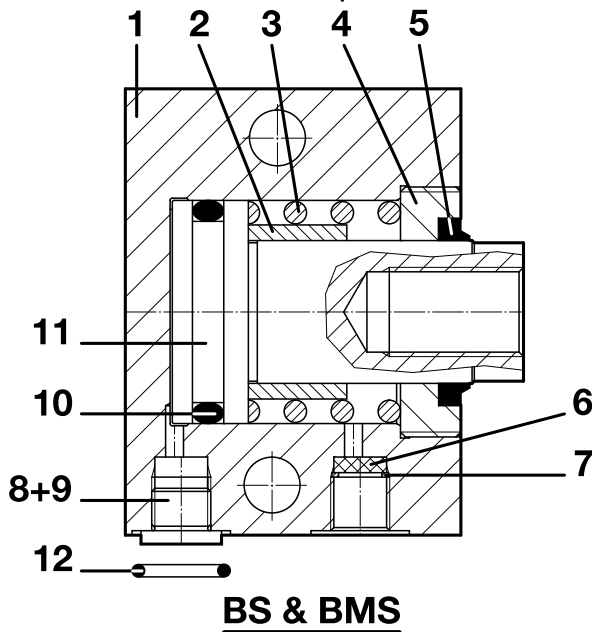
POWERFUL SOLUTIONS. GLOBAL FORCE.

## Repair Parts Sheet

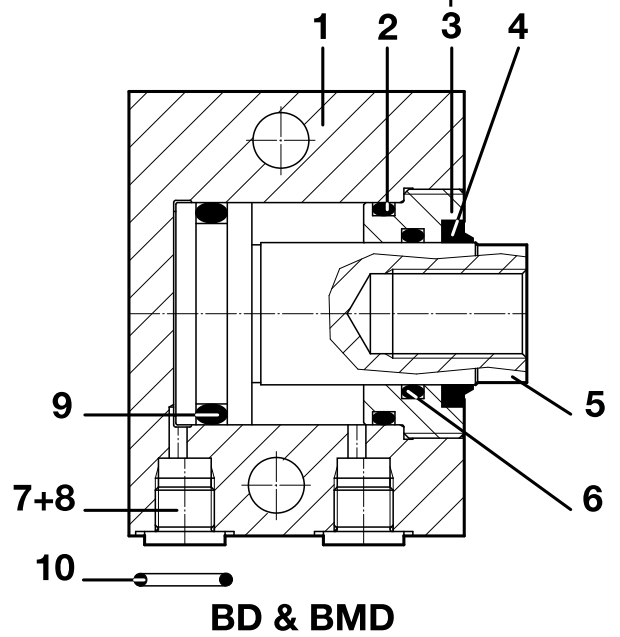
Block Cylinders  
BS & BMS-Series 17,0 kN  
BD & BMD-Series 17,2 kN


RPS 69.163-1 Rev. B 10/2011

Use LOCTITE 222



Use LOCTITE 222



 When ordering spare parts always specify the complete rollstamp number of the cylinder.  
Pour toute commande de pièces détachées veuillez bien préciser le numéro complet du verin.  
Bei Bestellung Ersatzteile bitte komplette Produktkodierung der Zylinder angeben.  
Quando ordinati eventuali parti di ricambio vogliate indicare il numero stampigliato sulla cilindri.  
Cuando solicite repuestos especifique siempre el numero completo estampado en el cilindro.

TO PROTECT YOUR WARRANTY, ONLY USE ENERPAC HYDRAULIC OIL.  
POUR PRESERVER VOTRE GARANTIE, UTILISER UNIQUEMENT DE L'HUILE ENERPAC.  
VERWENDEN SIE NUR ENERPAC HYDRAULIKÖL, DAMIT DIE GEWÄHRLEISTUNG ERHALTEN BLEIBT.  
PER RENDERE EFFICACE LA VOSTRA GARANZIA USATE SEMPRE E SOLO OLIO ENERPAC.  
PARA PRESERVAR LA GARANTIA, USE SOLO ACEITE HIDRAULICO ENERPAC.

Item No.	BS-18101 BS-18101V version 0	BMS-18101 BMS-18101V version 0	BS-18102 BS-18102V version 0	BMS-18102 BMS-18102V version 0	BS-18251 BS-18251V version 0	BMS-18251 BMS-18251V version 0	BS-18252 BS-18252V version 0	Qty
1	CZ 846.005	CZ 848.005	CZ 845.005	CZ 848.005	CZ 852.005	CZ 854.005	CZ 851.005	1x
2A	CZ 862.039	CZ 862.039	CZ 862.039	CZ 862.039	CZ 863.039	CZ 863.039	CZ 863.039	1x
•3	CZ 864.110	CZ 864.110	CZ 864.110	CZ 864.110	CZ 865.110	CZ 865.110	CZ 865.110	1x
4	PA2704044	PA2704044	PA2704044	PA2704044	PA2704044	PA2704044	PA2704044	1x
*5A	PA1133.776	PA1133.776	PA1133.776	PA1133.776	PA1133.776	PA1133.776	PA1133.776	1x
•5B	CY 474.041	CY 474.041	CY 474.041	CY 474.041	CY 474.041	CY 474.041	CY 474.041	1x
6	F 532.018	--	CY 17.018	--	F 532.018	--	CY 17.018	1x
7	F 533.049	--	CCA1011.044-1C	--	F 533.049	--	CCA1011.044-1C	1x
8	B1023.271	--	CV 853.271	--	B1023.271	--	CV 853.271	1x
9	B1007.503	--	B1219.503	--	B1007.503	--	B1219.503	1x
*10A	B1210.803	B1210.803	B1210.803	B1210.803	B1210.803	B1210.803	B1210.803	1x
•10B	B1210.203	B1210.203	B1210.203	B1210.203	B1210.203	B1210.203	B1210.203	1x
11	CZ 860.040	CZ 860.040	PA2705040	PA2705040	CZ 861.040	CZ 861.040	PA2706040	1x
*12A	--	CZ 392.041	--	CZ 392.041	--	CZ 392.041	--	2x
•12B	--	CZ 398.041	--	CZ 398.041	--	CZ 398.041	--	2x
*	<b>BD-18202-K</b>	<b>BD-18202-K</b>	<b>BD-18202-K</b>	<b>BD-18202-K</b>	<b>BD-18202-K</b>	<b>BD-18202-K</b>	<b>BD-18202-K</b>	
•	<b>BD-18202-KV</b>	<b>BD-18202-KV</b>	<b>BD-18202-KV</b>	<b>BD-18202-KV</b>	<b>BD-18202-KV</b>	<b>BD-18202-KV</b>	<b>BD-18202-KV</b>	

Item No.	BD-18201 BD-18201V version 0	BMD-18201 BMD-18201V version 0	BD-18202 BD-18202V version 0	BMD-18202 BMD-18202V version 0	BD-18501 BD-18501V version 0	BMD-18501 BMD-18501V version 0	BD-18502 BD-18502V version 0	Qty
1	CZ 846.005	CZ 848.005	CZ 845.005	CZ 848.005	CZ 852.005	CZ 854.005	CZ 851.005	1x
*2A	B1117.903	B1117.903	B1117.903	B1117.903	B1117.903	B1117.903	B1117.903	1x
•2B	B1117.203	B1117.203	B1117.203	B1117.203	B1117.203	B1117.203	B1117.203	1x
3	CZ 857.044	CZ 857.044	CZ 857.044	CZ 857.044	CZ 857.044	CZ 857.044	CZ 857.044	1x
*4A	CS 254.041	CS 254.041	CS 254.041	CS 254.041	CS 254.041	CS 254.041	CS 254.041	1x
•4B	CY 474.041	CY 474.041	CY 474.041	CY 474.041	CY 474.041	CY 474.041	CY 474.041	1x
5	CZ 860.040	CZ 860.040	PA2705040	PA2705040	CZ 861.040	CZ 861.040	PA2706040	1x
*6A	B1114.803	B1114.803	B1114.803	B1114.803	B1114.803	B1114.803	B1114.803	1x
•6B	B1114.203	B1114.203	B1114.203	B1114.203	B1114.203	B1114.203	B1114.203	1x
7	B1023.271	--	CV 853.271	--	B1023.271	--	CV 853.271	2x
8	B1007.503	--	B1219.503	--	B1007.503	--	B1219.503	2x
*9A	B1210.803	B1210.803	B1210.803	B1210.803	B1210.803	B1210.803	B1210.803	1x
•9B	B1210.203	B1210.203	B1210.203	B1210.203	B1210.203	B1210.203	B1210.203	1x
*10A	--	CZ 392.041	--	CZ 392.041	--	CZ 392.041	--	2x
•10B	--	CZ 398.041	--	CZ 398.041	--	CZ 398.041	--	2x
*	<b>BD-18202-K</b>	<b>BD-18202-K</b>	<b>BD-18202-K</b>	<b>BD-18202-K</b>	<b>BD-18202-K</b>	<b>BD-18202-K</b>	<b>BD-18202-K</b>	
•	<b>BD-18202-KV</b>	<b>BD-18202-KV</b>	<b>BD-18202-KV</b>	<b>BD-18202-KV</b>	<b>BD-18202-KV</b>	<b>BD-18202-KV</b>	<b>BD-18202-KV</b>	

Item No.	BMS-18252 BMS-18252V version 0	Qty	Description	Désignation	Bezeichnung	Descrizione	Descripción
1	CZ 854.005	1x	Base	Corps	Gehäuse	Corpo	Cuerpo
2A	CZ 863.039	1x	Stopring Int.	Bague-guide	Innen Stoßring	Ghiera interna	Anillo reten interno
•3	CZ 865.110	1x	Spring	Ressort	Feder	Molla	Muelle
4	PA2704044	1x	Stopring	Bague	Stoßring	Ghiera finecorsa	Anillo reten
*5A	CS 254.041	1x	Wiper	Joint racleur	Abstreifring	Raschiatore	Rascador
•5B	CY 474.041	1x	Wiper (Viton)	Joint racleur (Viton)	Abstreifring (Viton)	Raschiatore (Viton)	Rascador (Viton)
6	--	1x	Filter disc	Filtre	Filter	Filtro	Filtro
7	--	1x	Retaining ring	Circlips	Sicherungsring	Anello di ritegno	Junta tórica
8	--	1x	Plug	Bouchon	Stopfen	Tappo	Enchufe
9	--	1x	O-ring	O-ring	O-Ring	O-ring	Junta en O
*10A	B1210.803	1x	O-ring	O-ring	O-Ring	O-ring	Junta en O
•10B	B1210.203	1x	O-ring (Viton)	O-ring (Viton)	O-Ring (Viton)	O-ring (Viton)	Junta en O (Viton)
11	PA2706040	1x	Plunger	Piston	Kolben	Pistone	Embolo
*12A	CZ 392.041	2x	Manifold O-ring	O-ring Bloc foré	O-Ring Anschluß	O-ring Manifold	Junta en O Colector
•12B	CZ 398.041	2x	Manif. O-ring (Viton)	O-ring (Viton) Bloc foré	O-Ring Anschluß (Viton)	O-ring Manif. (Viton)	Junta en O (Viton) Col.
* •	<b>BD-18202-K</b> <b>BD-18202-KV</b>	<b>* Repair Kit</b> <b>• Viton Kit</b>	<b>* Pochette de réparation</b> <b>• Pochette de réparation Viton</b>  Contains parts marked with * or •	<b>* Pochette de réparation</b> <b>• Pochette de réparation Viton</b>  Contient les pièces marquées * ou •	<b>* Ersatzteilpaket</b> <b>• Viton Ersatzteilpaket</b>  Enthält Teile bezeichnet mit * oder •	<b>* La serie di ricambi</b> <b>• La serie di ricambi Viton</b>  Contiene tutte le voci contraddistinte dall' * o •	<b>* Juego de reparación</b> <b>• Juego de reparación Viton</b>  Contiene las partes marcadas con * o •

Item No.	BMD-18502 BMD-18502V version 0	Qty	Description	Désignation	Bezeichnung	Descrizione	Descripción
1	CZ 854.005	1x	Base	Corps	Gehäuse	Corpo	Cuerpo
*2A	B1117.903	1x	O-ring	O-ring	O-Ring	O-ring	Junta en O
•2B	B1117.203	1x	O-ring (Viton)	O-ring (Viton)	O-Ring (Viton)	O-ring (Viton)	Junta en O (Viton)
3	CZ 857.044	1x	Stopring	Bague	Stoßring	Ghiera finecorsa	Anillo reten
*4A	CS 254.041	1x	Wiper	Joint racleur	Abstreifring	Raschiatore	Rascador
•4B	CY 474.041	1x	Wiper (Viton)	Joint racleur (Viton)	Abstreifring (Viton)	Raschiatore (Viton)	Rascador (Viton)
5	PA2706040	1x	Plunger	Piston	Kolben	Pistone	Embolo
*6A	B1114.803	1x	O-ring	O-ring	O-Ring	O-ring	Junta en O
•6B	B1114.203	1x	O-ring (Viton)	O-ring (Viton)	O-Ring (Viton)	O-ring (Viton)	Junta en O (Viton)
7	--	2x	Plug	Bouchon	Stopfen	Tappo	Enchufe
8	--	2x	O-ring	O-ring	O-Ring	O-ring	Junta en O
*9A	B1210.803	1x	O-ring	O-ring	O-Ring	O-ring	Junta en O
•9B	B1210.203	1x	O-ring (Viton)	O-ring (Viton)	O-Ring (Viton)	O-ring (Viton)	Junta en O (Viton)
*10A	CZ 392.041	2x	Manifold O-ring	O-ring Bloc foré	O-Ring Anschluß	O-ring Manifold	Junta en O Colector
•10B	CZ 398.041	2x	Manif. O-ring (Viton)	O-ring (Viton) Bloc foré	O-Ring Anschluß (Viton)	O-ring Manif. (Viton)	Junta en O (Viton) Col.
* •	<b>BD-18202-K</b> <b>BD-18202-KV</b>	<b>* Repair Kit</b> <b>• Viton Kit</b>	<b>* Pochette de réparation</b> <b>• Pochette de réparation Viton</b>  Contains parts marked with * or •	<b>* Pochette de réparation</b> <b>• Pochette de réparation Viton</b>  Contient les pièces marquées * ou •	<b>* Ersatzteilpaket</b> <b>• Viton Ersatzteilpaket</b>  Enthält Teile bezeichnet mit * oder •	<b>* La serie di ricambi</b> <b>• La serie di ricambi Viton</b>  Contiene tutte le voci contraddistinte dall' * o •	<b>* Juego de reparación</b> <b>• Juego de reparación Viton</b>  Contiene las partes marcadas con * o •

**Enerpac Worldwide Locations** ♦ **e-mail:** info@enerpac.com ♦ **internet:** www.enerpac.com

**Australia and New Zealand**

Actuant Australia Ltd.  
Block V Unit 3  
Regents Park Estate  
391 Park Road  
Regents Park NSW 2143  
(P.O. Box 261) Australia  
T +61 (0)2 9743 8988  
F +61 (0)2 9743 8648  
sales-au@enerpac.com

**Brazil**

Power Packer do Brasil Ltda.  
Rua dos Inocentes, 587  
04764-050 - Sao Paulo (SP)  
T +55 11 5687 2211  
F +55 11 5686 5583  
Toll Free: 0800 891 5770  
vendasbrasil@enerpac.com

**Canada**

Actuant Canada Corporation  
6615 Ordan Drive, Unit 14-15  
Mississauga, Ontario L5T 1X2  
T +1 905 564 5749  
F +1 905 564 0305  
Toll Free:  
T +1 800 268 4987  
F +1 800 461 2456  
customer.service@actuant.com

**China**

Actuant (China) Industries Co. Ltd.  
No.6 Nanjing East Road,  
Taicang Economic Dep Zone  
Jiangsu, China  
T +86 0512 5328 7500  
F +86 0512 5335 9690  
Toll Free: +86 400 885 0369  
sales-cn@enerpac.com

**France, Switzerland, North Africa and French speaking African countries**

ENERPAC  
Une division d'ACTUANT France S.A.S.  
ZA de Courtaboeuf  
32, avenue de la Baltique  
91140 VILLEBON /YVETTE  
France  
T +33 1 60 13 68 68  
F +33 1 69 20 37 50  
sales-fr@enerpac.com

**Germany and Austria**

ENERPAC GmbH  
P.O. Box 300113  
D-40401 Düsseldorf  
Willstätterstrasse 13  
D-40549 Düsseldorf, Germany  
T +49 211 471 490  
F +49 211 471 49 28  
sales-de@enerpac.com

**India**

ENERPAC Hydraulics Pvt. Ltd.  
No. 1A, Peenya Industrial Area  
IInd Phase, Bangalore, 560 058, India  
T +91 80 40 792 777  
F +91 80 40 792 792  
sales-in@enerpac.com

**Italy**

ENERPAC S.p.A.  
Via Canova 4  
20094 Corsico (Milano)  
T +39 02 4861 111  
F +39 02 4860 1288  
sales-it@enerpac.com

**Japan**

Applied Power Japan LTD KK  
Besshocho 85-7  
Kita-ku, Saitama-shi 331-0821, Japan  
T +81 48 662 4911  
F +81 48 662 4955  
sales-jp@enerpac.com

**Middle East, Egypt and Libya**

ENERPAC Middle East FZE  
Office 423, LOB 15  
P.O. Box 18004, Jebel Ali, Dubai  
United Arab Emirates  
T +971 (0)4 8872686  
F +971 (0)4 8872687  
sales-ua@enerpac.com

**Russia**

Rep. office Enerpac  
Russian Federation  
Admirala Makarova Street 8  
125212 Moscow, Russia  
T +7 495 98090 91  
F +7 495 98090 92  
sales-ru@enerpac.com

**Singapore**

Actuant Asia Pte Ltd.  
83 Joo Koon Circle  
Singapore 629109  
T +65 68 63 0611  
F +65 64 84 5669  
Toll Free: +1800 363 7722  
sales-sg@enerpac.com

**South Korea**

Actuant Korea Ltd.  
3Ba 717, Shihwa Industrial Complex  
Jungwang-Dong, Shihung-Shi,  
Kyunggi-Do  
Republic of Korea 429-450  
T +82 31 434 4506  
F +82 31 434 4507  
sales-kr@enerpac.com

**Spain and Portugal**

ENERPAC SPAIN, S.L.  
Avda. Los Frailes, 40 - Nave C & D  
Pol. Ind. Los Frailes  
28814 Daganzo de Arriba  
(Madrid) Spain  
T +34 91 884 86 06  
F +34 91 884 86 11  
sales-es@enerpac.com

**Sweden, Denmark, Norway, Finland and Iceland**

Enerpac Scandinavia AB  
Fabriksgatan 7  
412 50 Gothenburg  
Sweden  
T +46 (0) 31 799 0281  
F +46 (0) 31 799 0010  
scandinavianinquiries@enerpac.com

**The Netherlands, Belgium, Luxembourg, Central and Eastern Europe, Baltic States, Greece, Turkey and CIS countries**

ENERPAC B.V.  
Galvanistraat 115  
6716 AE Ede  
P.O. Box 8097  
6710 AB Ede  
The Netherlands  
T +31 318 535 911  
F +31 318 535 848  
sales-nl@enerpac.com

**Enerpac Integrated Solutions B.V.**

Opaalstraat 44  
7554 TS Hengelo  
P.O. Box 421  
7550 AK Hengelo  
The Netherlands  
T +31 74 242 20 45  
F +31 74 243 03 38  
integratedsolutions@enerpac.com

**South Africa and other English speaking African countries**

ENERPAC B.V.  
Galvanistraat 115  
6716 AE Ede  
P.O. Box 8097  
6710 AB Ede  
The Netherlands  
T +31 318 535 911  
F +31 318 525 613  
sales-za@enerpac.com

**United Kingdom and Ireland**

ENERPAC Ltd.,  
Bentley Road South  
Darlaston, West Midlands  
WS10 8LQ  
England  
T +44 (0)121 50 50 787  
F +44 (0)121 50 50 799  
sales-uk@enerpac.com

**USA, Latin America and Caribbean**

ENERPAC  
P.O. Box 3241  
Milwaukee WI 53201 USA  
T +1 262 293 1600  
F +1 262 293 7036  
User inquiries:  
T +1 800 433 2766  
Distributor inquiries/orders:  
T +1 800 558 0530  
F +1 800 628 0490  
Technical inquiries:  
techservices@enerpac.com  
sales-us@enerpac.com

All Enerpac products are guaranteed against defects in workmanship and materials for as long as you own them.

For the location of your nearest authorized Enerpac Service Center, visit us at [www.enerpac.com](http://www.enerpac.com)

091411

