



Repair Parts Sheet

FTE-Series Foundation Tensioners,  
Elliptical

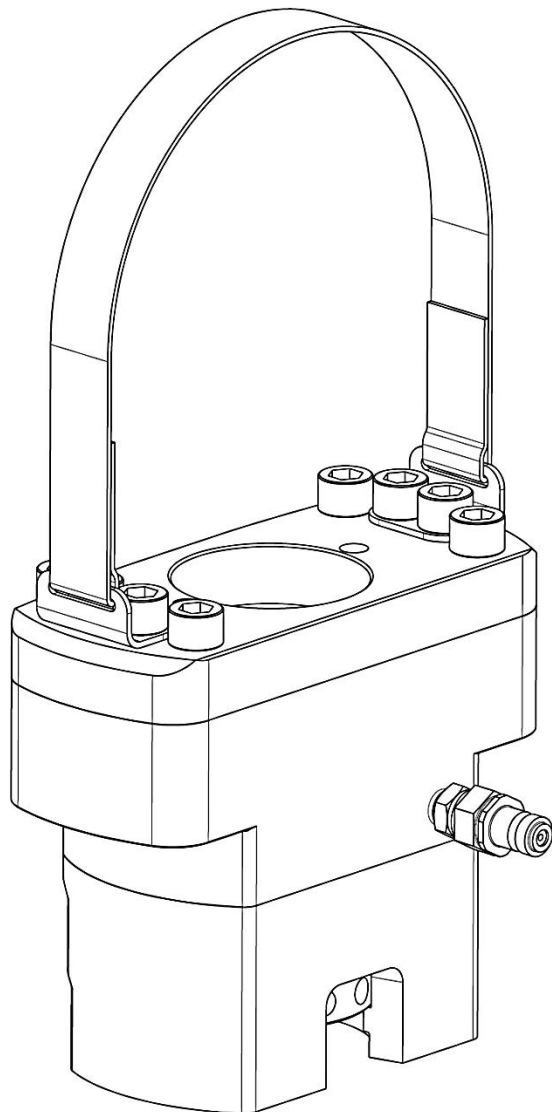
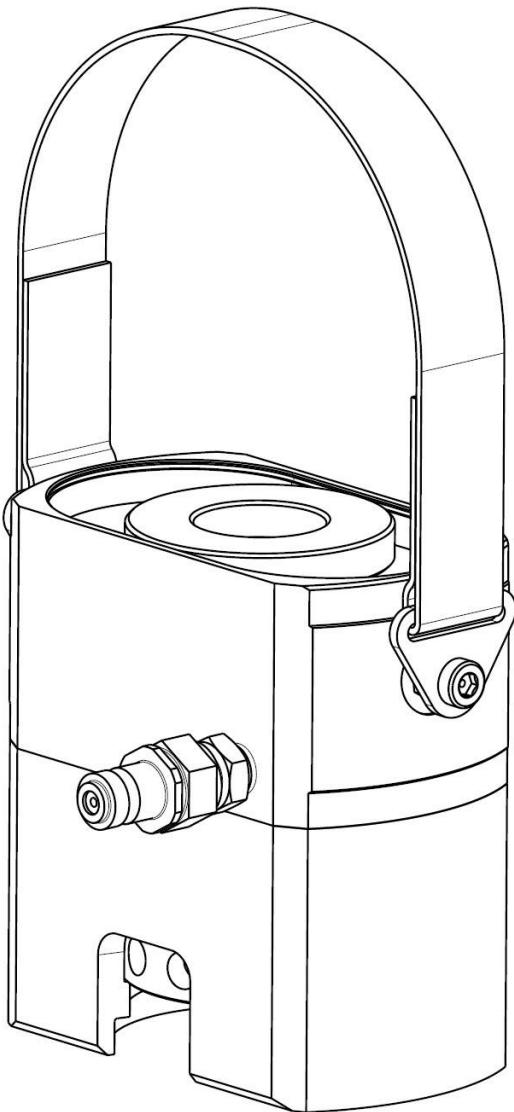
L4237

Rev C

09/19

For date codes beginning with "A".

To Protect Your Warranty, Use Only ENERPAC Hydraulic Fluid.  
Enerpac recommends that all kit components be installed to insure optimum performance of the repaired product.



Assembly Notes:

- Correct Torque Values
- i. Apply torque of 40-50Nm/ 29.5-36.9ft lb to tighten adaptor/ swivel
- ii. Apply torque of 40-50Nm/ 29.5-36.9ft lb to tighten coupling secured to adaptor/ swivel

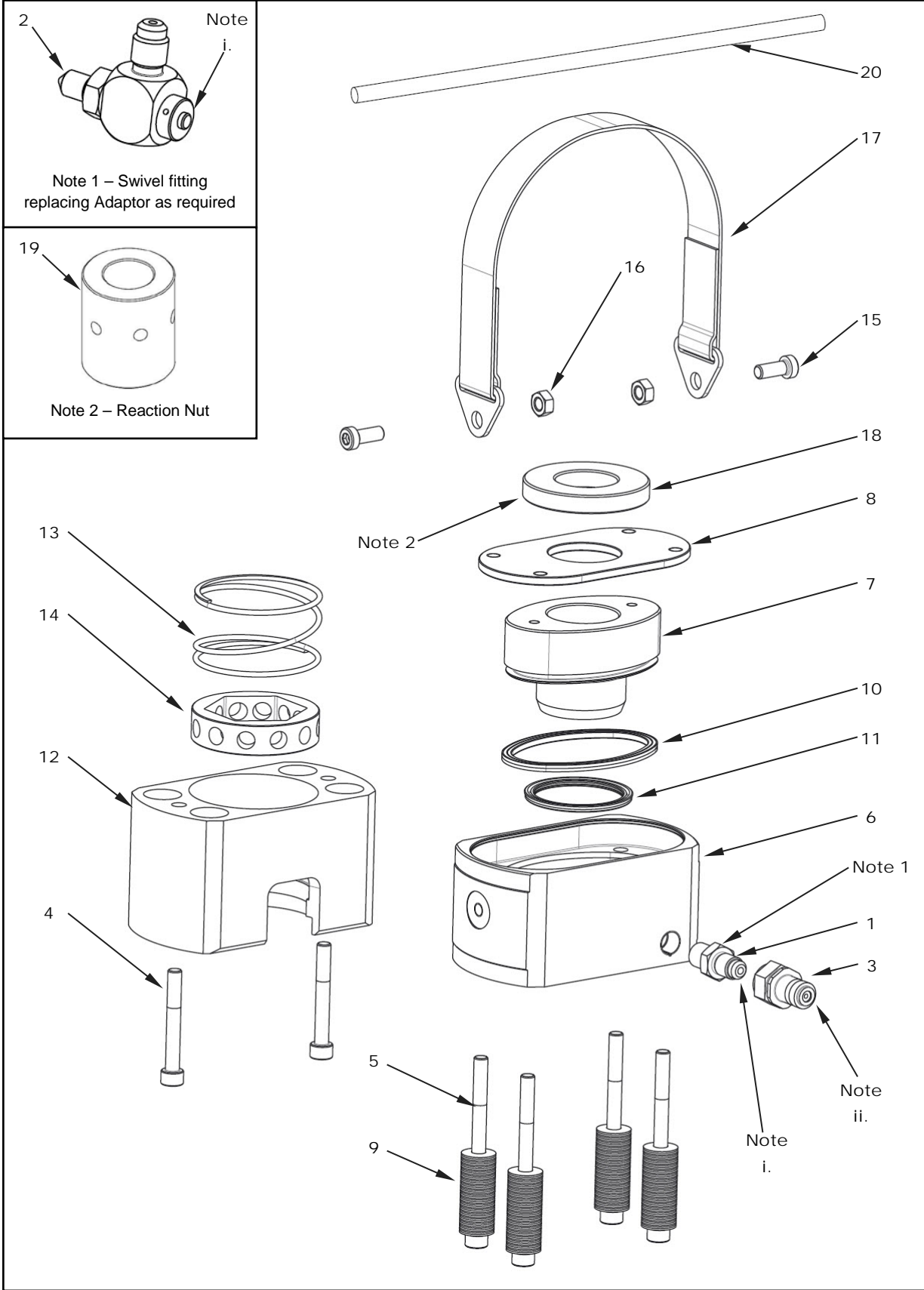


Figure 1, Exploded View, FTE-Series Foundation Tensioners, Elliptical

Repair Parts List For Figure 1 - FTE-Series Foundation Tensioners, Elliptical					
Item	Description	Qty	Part Numbers		
			FTE7510S FTE7510SW	FTE7511S FTE7511SW	FTE8836S FTE8836SW
1	Adaptor	1	Ⓐ	Ⓐ	Ⓐ
2	Swivel Elbow	1	Ⓑ	Ⓑ	Ⓑ
3	Quick Disconnect Coupling	1	Ⓐ Ⓑ	Ⓐ Ⓑ	Ⓐ Ⓑ
4	Socket Head Cap Screw (Tensioner Body to Bridge)	2	Ⓒ	Ⓒ	Ⓖ
5	Socket Head Cap Screw (disc springs holders)	4	Ⓒ	Ⓒ	Ⓖ
6	Body	1	004AA0025227	004AA0025227	004AA0025227
7	Piston	1	004AB0025228	004AB0025228	004AB0025228
8	Spring Retract Plate	1	004AT0025229	004AT0025229	004AT0025229
9	Disc Spring	Set of 4	Ⓒ (136 individual)	Ⓒ (136 individual)	Ⓖ (136 individual)
10	Outer Seal + AER	1	Ⓓ	Ⓓ	Ⓓ
11	Inner Seal + AER	1	Ⓓ	Ⓓ	Ⓓ
12	Bridge	1	004AD0031695	004AD0031695	004AD0073058
13	Compression Springs	1	Ⓒ	Ⓒ	+
14	Socket	1	004AJ0035892	004AJ0031696	004AJ0073059
15	Socket Head Cap Screw (Handle)	2	Ⓔ	Ⓔ	Ⓔ
16	Plain Hex Nut (Handle)	2	Ⓔ	Ⓔ	Ⓔ
17	Handle	1	Ⓔ	Ⓔ	Ⓔ
18	Reaction Disc	1	001HF0035893	+	+
19	Reaction Nut	4	+	+	004AG0034983
20	Tommy Bar (10mmØ 330mm)	1	004CH0025495	004CH0025495	004CH0025495
Ⓐ Available as part of Straight Coupler Kit 002NG0040569			Ⓔ Available as part of Handle Kit 004HS0074390		
Ⓑ Available as part of Swivel Coupler Kit 026CF0026523			Ⓖ Available as part of Hardware Kit 004HP0074388		
Ⓒ Available as part of Hardware Kit 004HP0074387					
Ⓓ Available as part of Seal Kit CKSHA0072046					
+ Not included in assembly					

Assembly Notes:

- Correct Torque Values

- Apply torque of 40-50Nm/ 29.5-36.9ft lb to tighten adaptor/ swivel
- Apply torque of 40-50Nm/ 29.5-36.9ft lb to tighten coupling secured to adaptor/ swivel

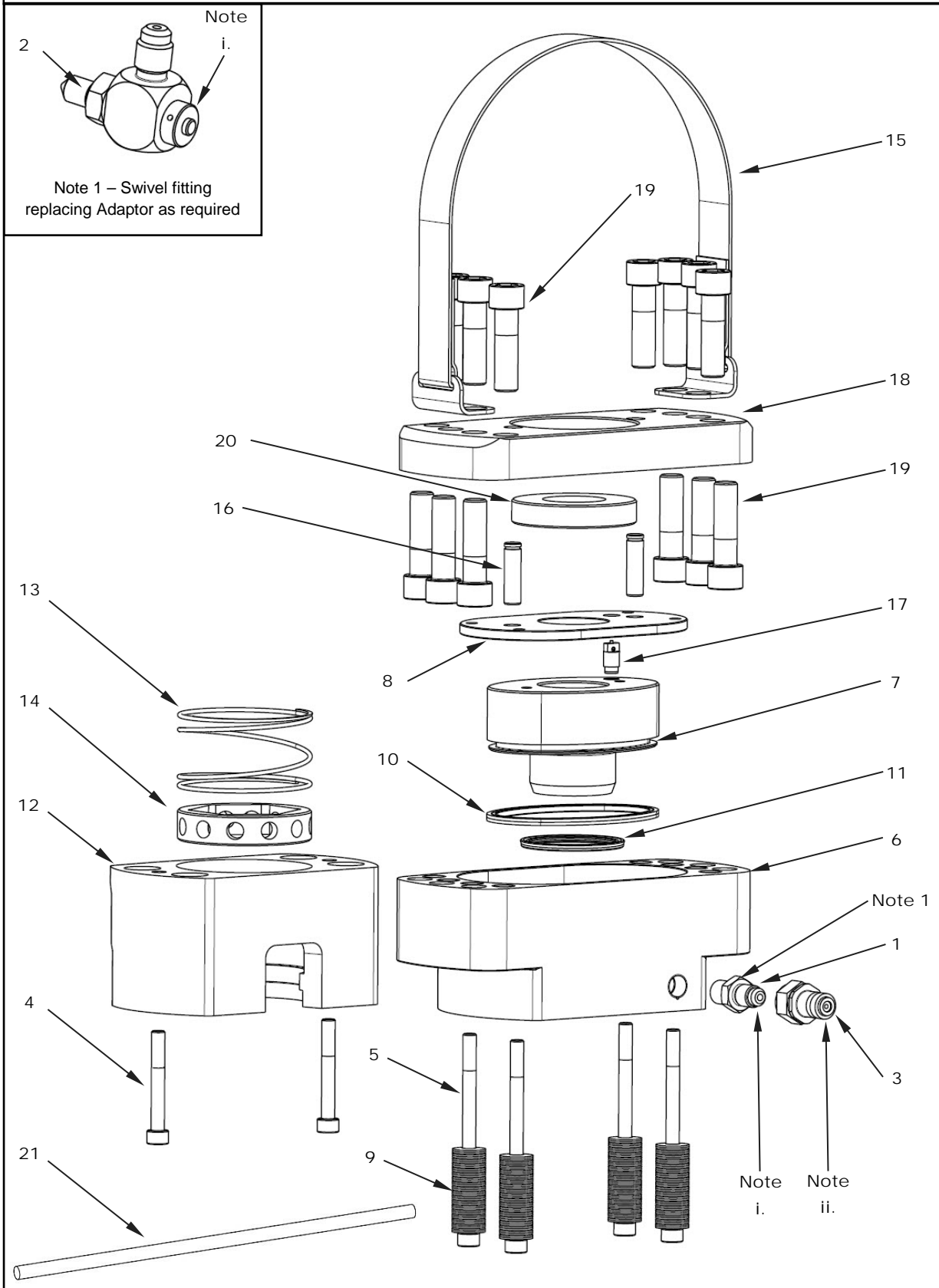


Figure 2, Exploded View, FTE-Series Foundation Tensioners, Elliptical

Repair Parts List For Figure 1 – FTE-Series Foundation Tensioners, Elliptical				
Item	Description	Qty	Part Numbers	
			FTE150125S FTE150125SW	FTE150138S FTE150138SW
1	Adaptor	1	Ⓐ	Ⓐ
2	Swivel Elbow	1	Ⓑ	Ⓑ
3	Quick Disconnect Coupling	1	Ⓐ Ⓑ	Ⓐ Ⓑ
4	Socket Head Cap Screw (Tensioner Body to Bridge)	2	Ⓒ	Ⓒ
5	Socket Head Cap Screw (Disc Springs holders)	4	Ⓒ	Ⓒ
6	Body	1	004AA0029735	004AA0029735
7	Piston	1	Ⓓ	Ⓓ
8	Spring Retract Plate	1	004AT0029737	004AT0029737
9	Disc Spring	Set of 4	Ⓔ (144 individual)	Ⓔ (144 individual)
10	Outer Seal + AER	1	Ⓚ	Ⓚ
11	Inner Seal + AER	1	Ⓚ	Ⓚ
12	Bridge	1	004AD0029733	004AD0029733
13	Compression Springs	1	Ⓒ	Ⓒ
14	Socket	1	004AJ0035773	004AJ0029734
15	Handle	1	004AY0034859	004AY0034859
16	Pin Stroke indicator	2	Ⓓ	Ⓓ
17	Relief value assembly	1	Ⓓ	Ⓓ
18	Limit Plate	1	Ⓛ	Ⓛ
19	Socket Head Cap Screw (Limit Plate)	14	Ⓛ	Ⓛ
20	Tensioner Washer	1	004HF0035774	+
21	Tommy Bar (10mmØ 330mm)	1	004CH0025495	004CH0025495
Ⓐ Available as part of Straight Coupler Kit 002NG0040569			Ⓓ Available as part of Piston Kit 004HP0074391	
Ⓑ Available as part of Swivel Coupler Kit 026CF0026523			Ⓚ Available as part of Seal Kit CKSAC0029732	
Ⓒ Available as part of Hardware Kit 004HP0074389			Ⓛ Available as part of Plate Kit 004HB0074392	
+ Not included in assembly				





**ENERPAC** 

[www.enerpac.com](http://www.enerpac.com)