



Repair Parts Sheet

PGT-Series Single Stage Tensioners

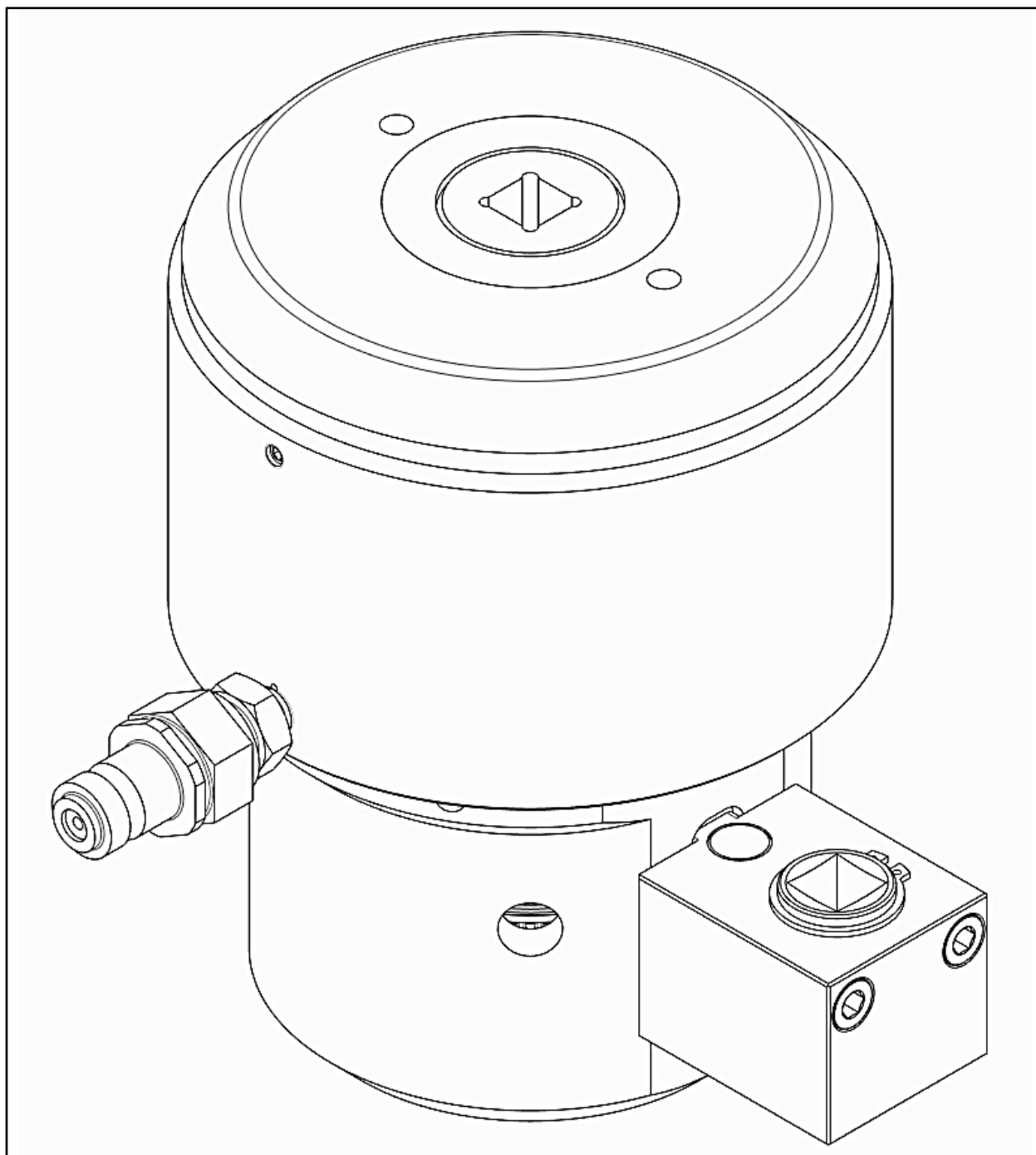
L4233

Rev C

09/19

For date codes beginning with "A".

To Protect Your Warranty, Use Only ENERPAC Hydraulic Fluid.  
Enerpac recommends that all kit components be installed to insure optimum performance of the repaired product.



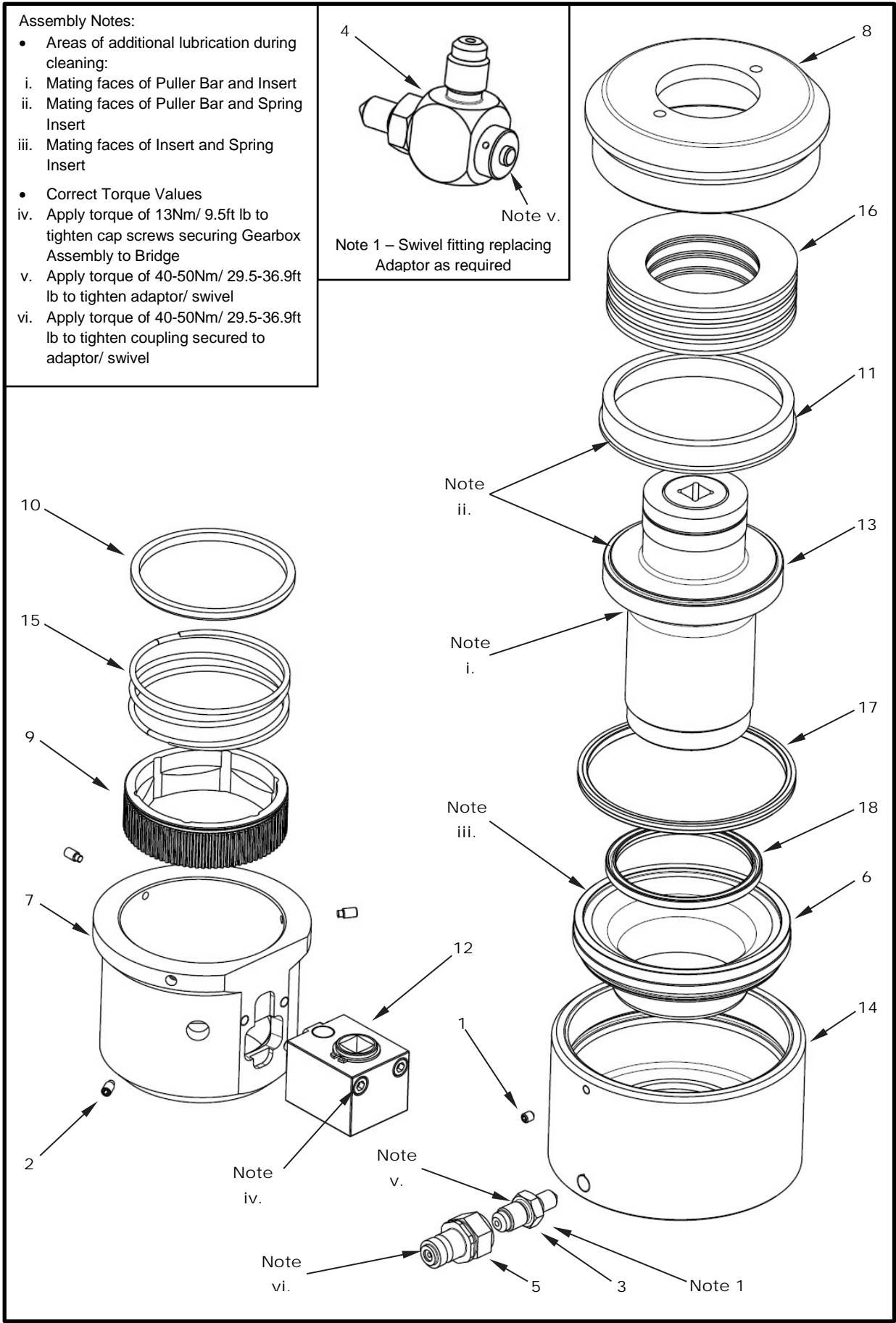


Figure 1, Exploded View, PGT Single Stage Tensioner

Repair Parts List for Figure 1 – PGT Single Stage Tensioner PGTS2030/ PGTS2436				
Item	Description	Qty	Part Numbers	
			PGTS2030S PGTS2030SW	PGTS2436S PGTS2436SW
1	Socket Screw (Spring Cap)	-	+	+
2	Socket Screw (Tensioner Body)	4	Ⓒ1	Ⓒ2
3	Adaptor	1	Ⓐ1	Ⓐ1
4	Swivel Elbow	1	Ⓑ1	Ⓑ1
5	Quick Disconnect Coupling	1	Ⓐ1 Ⓑ1	Ⓐ1 Ⓑ1
6	Insert	1	004AC0072249	004AC0072353
7	Bridge	1	Ⓒ1	Ⓒ2
8	Spring Cap	1	004AN0072251	004AN0072357
9	Geared Socket	1	004AJ0072253	004AX0072356
10	Spring Retainer	1	+	+
11	Spring Insert	1	+	+
12	Gearbox Assembly	1	004HF0072254	004HF0072254
13	Puller Bar Assembly	1	004AF0072248	004AF0072354
14	Body Assembly	1	004AA0072250	004AA0072352
15	Compression Spring	1	016AA0072383	016AA0031091
16	Disc Spring	1 Set	016AC0072384 (6 individual)	016AC0024781 (6 individual)
17	Outer Seal and AER	1	Ⓔ1	Ⓔ2
18	Inner Seal and AER	1	Ⓔ1	Ⓔ2
Ⓐ1 Available as part of Straight Coupler Kit 002NG0056251			Ⓔ1 Available as part of Seal Kit CKSHA0072363	
Ⓑ1 Available as part of Swivel Coupler Kit 026CF0074350			Ⓒ2 Available as part of Bridge Kit 004HC0074371	
Ⓒ1 Available as part of Bridge Kit 004HC0074370			Ⓔ2 Available as part of Seal Kit CKSHA0072372	
+ Not included in assembly				

Repair Parts List for Figure 1 - PGT Single Stage Tensioner PGTS2742/ PGTS3046

Item	Description	Qty	Part Numbers	
			PGTS2742S PGTS2742SW	PGTS3046S PGTS3046SW
1	Socket Screw (Spring Cap)	1	001DC0025645	001DC0025645
2	Socket Screw (Tensioner Body)	4	Ⓒ3	Ⓒ4
3	Adaptor	1	Ⓐ1	Ⓐ1
4	Swivel Elbow	1	Ⓑ2	Ⓑ2
5	Quick Disconnect Coupling	1	Ⓐ1 Ⓑ2	Ⓐ1 Ⓑ2
6	Insert	1	004AC0076576	004AC0076662
7	Bridge	1	Ⓒ3	Ⓒ4
8	Spring Cap	1	004AN0076579	004AN0076665
9	Geared Socket	1	004AX0030658	004AJ0023840
10	Spring Retainer	1	+	+
11	Spring Insert	1	004CF0076580	004CF0076666
12	Gearbox Assembly	1	004HF0072254	004HF0072254
13	Puller Bar Assembly	1	004AF0076578	004AF0076664
14	Body Assembly	1	004AA0076575	004AA0076661
15	Compression Spring	1	016AA0076935	016AA0077048
16	Disc Spring	1 Set	016AC0076609 (6 individual)	016AC0024787 (6 individual)
17	Outer Seal and AER	1	Ⓔ3	Ⓔ4
18	Inner Seal and AER	1	Ⓔ3	Ⓔ4
Ⓐ1 Available as part of Straight Coupler Kit 002NG0056251 Ⓑ2 Available as part of Swivel Coupler Kit 026CF0077312 Ⓒ3 Available as part of Bridge Kit 004HC0077220			Ⓔ3 Available as part of Seal Kit CKSHA0076581 Ⓒ4 Available as part of Bridge Kit 004HC0077221 Ⓔ4 Available as part of Seal Kit CKSHA0076667	
+ Not included in assembly				

Repair Parts List for Figure 1 - PGT Single Stage Tensioner PGTS3350/ PGTS3655

Item	Description	Qty	Part Numbers	
			PGTS3350S PGTS3350SW	PGTS3655S PGTS3655SW
1	Socket Screw (Spring Cap)	1	001DC0025645	001DC0025645
2	Socket Screw (Tensioner Body)	4	Ⓒ5	Ⓒ6
3	Adaptor	1	Ⓐ1	Ⓐ1
4	Swivel Elbow	1	Ⓑ2	Ⓑ1
5	Quick Disconnect Coupling	1	Ⓐ1 Ⓑ2	Ⓐ1 Ⓑ1
6	Insert	1	004AC0076670	004AC0031086
7	Bridge	1	Ⓒ5	Ⓒ6
8	Spring Cap	1	004AN0076673	004AN0025189
9	Geared Socket	1	004AJ0066449	004AX0072515
10	Spring Retainer	1	+	+
11	Spring Insert	1	004CF0076674	004CF0025188
12	Gearbox Assembly	1	004HF0072254	004HF0024007
13	Puller Bar Assembly	1	004AF0076672	004AE0031084
14	Body Assembly	1	004AA0076669	004AA0031085
15	Compression Spring	1	016AA0077049	016AA0025747
16	Disc Spring	1 Set	016AC0024788 (6 individual)	016AC0024790 (4 individual)
17	Outer Seal and AER	1	Ⓔ5	Ⓔ6
18	Inner Seal and AER	1	Ⓔ5	Ⓔ6
Ⓐ1 Available as part of Straight Coupler Kit 002NG0056251 Ⓑ1 Available as part of Swivel Coupler Kit 026CF0074350 Ⓑ2 Available as part of Swivel Coupler Kit 026CF0077312 Ⓒ5 Available as part of Bridge Kit 004HC0077222			Ⓔ5 Available as part of Seal Kit CKSHA0076675 Ⓒ6 Available as part of Bridge Kit 004HC0074372 Ⓔ6 Available as part of Seal Kit CKSHA0072438	
+ Not included in assembly				

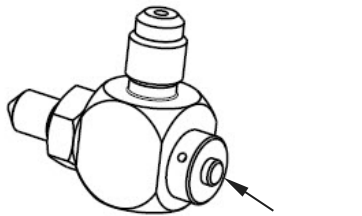
Repair Parts List for Figure 1 - PGT Single Stage Tensioner PGTS3960/ PGTS4265				
Item	Description	Qty	Part Numbers	
			PGTS3960S PGTS3960SW	PGTS4265S PGTS4265SW
1	Socket Screw (Spring Cap)	1	001DC0025645	001DJ0025654
2	Socket Screw (Tensioner Body)	4	Ⓒ7	Ⓒ8
3	Adaptor	1	Ⓐ1	Ⓐ1
4	Swivel Elbow	1	Ⓑ2	Ⓑ1
5	Quick Disconnect Coupling	1	Ⓐ1 Ⓑ2	Ⓐ1 Ⓑ1
6	Insert	1	004AC0076650	004AC0069916
7	Bridge	1	Ⓒ7	Ⓒ8
8	Spring Cap	1	004AN0076653	004AN0069914
9	Geared Socket	1	004AX0074667	004AX0024005
10	Spring Retainer	1	+	Ⓔ1
11	Spring Insert	1	004CF0076654	004CF0025196
12	Gearbox Assembly	1	004HF0072254	004HF0024007
13	Puller Bar Assembly	1	004AF0076652	004HH0069917
14	Body Assembly	1	004AA0076649	004HU0069918
15	Compression Spring	1	016AA0077121	Ⓔ1
16	Disc Spring	1 Set	016AC0076659 (6 individual)	016AC0066434 (6 individual)
17	Outer Seal and AER	1	Ⓔ7	Ⓔ8
18	Inner Seal and AER	1	Ⓔ7	Ⓔ8
Ⓐ1 Available as part of Straight Coupler Kit 002NG0056251 Ⓑ1 Available as part of Swivel Coupler Kit 026CF0074350 Ⓑ2 Available as part of Swivel Coupler Kit 026CF0077312 Ⓒ7 Available as part of Bridge Kit 004HC0077223			Ⓔ7 Available as part of Seal Kit CKSHA0076655 Ⓔ8 Available as part of Bridge Kit 004HC0074373 Ⓔ8 Available as part of Seal Kit CKSHA0072437 Ⓔ1 Available as part of Hardware Kit 004HP0074374	
+ Not included in assembly				

Repair Parts List for Figure 1 - PGT Single Stage Tensioner PGTS4570/ PGTS4875

Item	Description	Qty	Part Numbers	
			PGTS4570S PGTS4570SW	PGTS4875S PGTS4875SW
1	Socket Screw (Spring Cap)	1	001DC0025645	001DC0025645
2	Socket Screw (Tensioner Body)	4	Ⓒ9	Ⓓ1
3	Adaptor	1	Ⓐ1	Ⓐ1
4	Swivel Elbow	1	Ⓑ2	Ⓑ2
5	Quick Disconnect Coupling	1	Ⓐ1 Ⓑ2	Ⓐ1 Ⓑ2
6	Insert	1	004AC0076679	004AC0076602
7	Bridge	1	Ⓒ9	Ⓓ1
8	Spring Cap	1	004AN0076682	004AN0076705
9	Geared Socket	1	004AX0074699	004AX0074720
10	Spring Retainer	1	+	+
11	Spring Insert	1	004CF0076683	004CF0076706
12	Gearbox Assembly	1	004HF0072254	004HF0072254
13	Puller Bar Assembly	1	004AF0076681	004AF0076704
14	Body Assembly	1	004AA0076678	004AA0076701
15	Compression Spring	1	016AA0077122	016AA0077123
16	Disc Spring	1 Set	016AC0076700 (6 individual)	016AC0068485 (4 individual)
17	Outer Seal and AER	1	Ⓔ9	Ⓕ1
18	Inner Seal and AER	1	Ⓔ9	Ⓕ1
Ⓐ1 Available as part of Straight Coupler Kit 002NG0056251 Ⓑ2 Available as part of Swivel Coupler Kit 026CF0077312 Ⓒ9 Available as part of Bridge Kit 004HC0077224			Ⓔ9 Available as part of Seal Kit CKSHA0076684 Ⓕ1 Available as part of Bridge Kit 004HC0077225 Ⓕ1 Available as part of Seal Kit CKSHA0076707	
+ Not included in assembly				

**Assembly Notes:**

- Areas of additional lubrication during cleaning:
- iv. Mating faces of Puller Bar and Insert
- v. Mating faces of Puller Bar and Spring Insert
- vi. Mating faces of Insert and Spring Insert
- Correct Torque Values
- vii. Apply torque of 13Nm/ 9.5ft lb to tighten cap screws securing Gearbox Assembly to Bridge
- viii. Apply torque of 40-50Nm/ 29.5-36.9ft lb to tighten adaptor/ swivel
- ix. Apply torque of 40-50Nm/ 29.5-36.9ft lb to tighten coupling secured to adaptor/ swivel



Note v.

Note 1 – Swivel fitting replacing Adaptor as required

Note 2 – For part numbers 1 to 18 see Figure 1, Exploded View, PGT Single Stage Tensioner

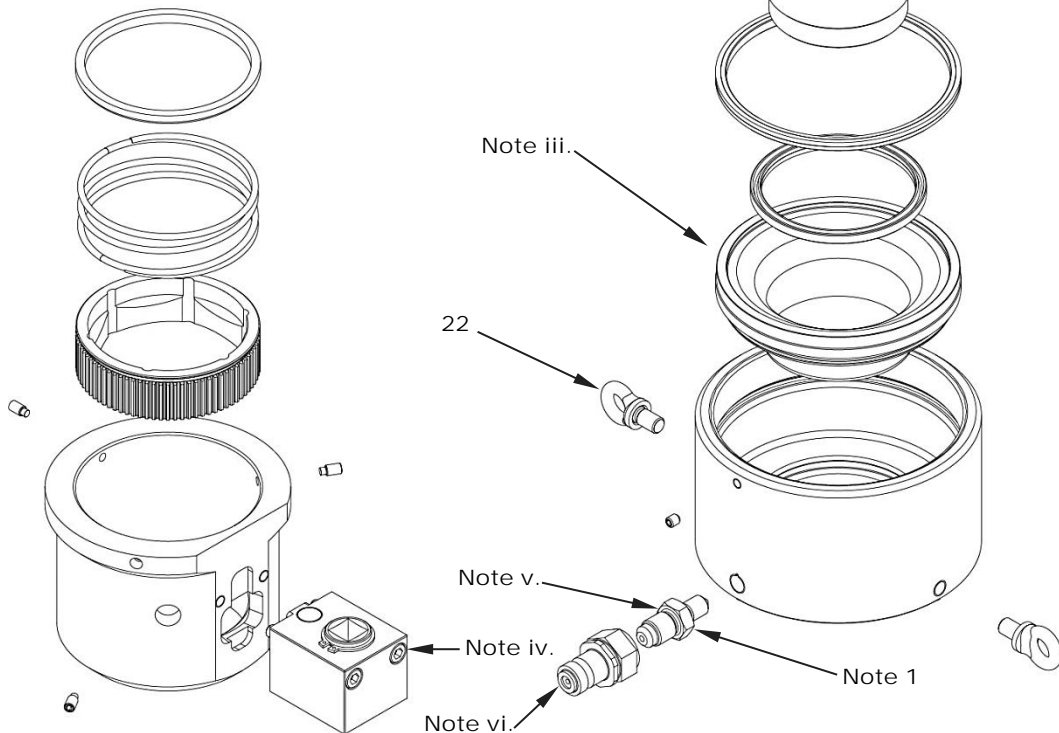


Figure 2, Exploded View, PGT Single Stage Tensioner with Lift Support



Repair Parts List for Figure 1 - PGT Single Stage Tensioner PGTS5280/ PGTS5685

Item	Description	Qty	Part Numbers	
			PGTS5280S PGTS5280SW	PGTS5685S PGTS5685SW
1	Socket Screw (Spring Cap)	1	001DC0025645	001DC0025645
2	Socket Screw (Tensioner Body)	4	Ⓓ2	Ⓓ3
3	Adaptor	1	Ⓐ1	Ⓐ1
4	Swivel Elbow	1	Ⓑ2	Ⓑ2
5	Quick Disconnect Coupling	1	Ⓐ1 Ⓑ2	Ⓐ1 Ⓑ2
6	Insert	1	004AC0076627	004AC0076728
7	Bridge	1	Ⓓ2	Ⓓ3
8	Spring Cap	1	004AN0076629	004AN0076730
9	Geared Socket	1	004AX0074741	004AX0074762
10	Spring Retainer	1	+	+
11	Spring Insert	1	004CF0076631	004CF0076732
12	Gearbox Assembly	1	004HF0072254	004HF0072254
13	Puller Bar Assembly	1	004AF0076630	004AF0076731
14	Body Assembly	1	004AA0076626	004AA0076727
15	Compression Spring	1	016AA0077124	016AA0077125
16	Disc Spring	1 Set	016AC0076644 (4 individual)	016AC0076545 (4 individual)
17	Outer Seal and AER	1	Ⓕ2	Ⓕ3
18	Inner Seal and AER	1	Ⓕ2	Ⓕ3
19	Socket Head Cap Screw (Handle)	2	Ⓗ1	Ⓗ1
20	Plain Hexagon Nut (Handle)	2	Ⓗ1	Ⓗ1
21	Handle with Links	1	Ⓗ1	Ⓗ1
22	Collar Eyebolt	-	+	+

Ⓐ1 Available as part of Straight Coupler Kit 002NG0056251 Ⓑ2 Available as part of Swivel Coupler Kit 026CF0077312 Ⓓ2 Available as part of Bridge Kit 004HC0077226 Ⓕ2 Available as part of Seal Kit CKSHA0076632	Ⓗ1 Available as part of Handle Kit 004HS0074390 Ⓓ3 Available as part of Bridge Kit 004HC0077227 Ⓕ3 Available as part of Seal Kit CKSHA0076733
--	---

+ Not included in assembly

Repair Parts List for Figure 1 - PGT Single Stage Tensioner PGTS6090/ PGTS6495

Item	Description	Qty	Part Numbers	
			PGTS6090S PGTS6090SW	PGTS6495S PGTS6495SW
1	Socket Screw (Spring Cap)	1	001DC0025645	001DC0025645
2	Socket Screw (Tensioner Body)	4	Ⓓ4	Ⓓ5
3	Adaptor	1	Ⓐ1	Ⓐ1
4	Swivel Elbow	1	Ⓑ2	Ⓑ2
5	Quick Disconnect Coupling	1	Ⓐ1 Ⓑ2	Ⓐ1 Ⓑ2
6	Insert	1	004AC0076736	004AC0076720
7	Bridge	1	Ⓓ4	Ⓓ5
8	Spring Cap	1	004AN0076739	004AN0076723
9	Geared Socket	1	004AX0074783	004AX0074804
10	Spring Retainer	1	+	+
11	Spring Insert	1	004CF0076740	004CF0076724
12	Gearbox Assembly	1	004HF0072254	004HF0072254
13	Puller Bar Assembly	1	004AF0076738	004AF0076722
14	Body Assembly	1	004AA0076735	004AA0076719
15	Compression Spring	1	016AA0077126	016AA0077127
16	Disc Spring	1 Set	016AC0076169 (4 individual)	016AC0076757 (4 individual)
17	Outer Seal and AER	1	Ⓕ4	Ⓕ5
18	Inner Seal and AER	1	Ⓕ4	Ⓕ5
19	Socket Head Cap Screw (Handle)	2	Ⓕ1	+
20	Plain Hexagon Nut (Handle)	2	Ⓕ1	+
21	Handle with Links	1	Ⓕ1	+
22	Collar Eyebolt	2	+	018AA0025797

Ⓐ1 Available as part of Straight Coupler Kit 002NG0056251 Ⓑ2 Available as part of Swivel Coupler Kit 026CF0077312 Ⓓ4 Available as part of Bridge Kit 004HC0077228 Ⓕ4 Available as part of Seal Kit CKSHA0076741	Ⓕ1 Available as part of Handle Kit 004HS0074390 Ⓓ5 Available as part of Bridge Kit 004HC0077229 Ⓕ5 Available as part of Seal Kit CKSHA0076725
--	---

+ Not included in assembly

Repair Parts List for Figure 1 - PGT Single Stage Tensioner PGTS68100/ PGTS72105				
Item	Description	Qty	Part Numbers	
			PGTS68100S PGTS68100SW	PGTS72105S PGTS72105SW
1	Socket Screw (Spring Cap)	1	001DC0025645	001DC0025645
2	Socket Screw (Tensioner Body)	4	Ⓓ6	Ⓓ7
3	Adaptor	1	Ⓐ1	Ⓐ1
4	Swivel Elbow	1	Ⓑ2	Ⓑ2
5	Quick Disconnect Coupling	1	Ⓐ1 Ⓑ2	Ⓐ1 Ⓑ2
6	Insert	1	004AC0076854	004AC0076712
7	Bridge	1	Ⓓ6	Ⓓ7
8	Spring Cap	1	004AN0076587	004AN0076715
9	Geared Socket	1	004AX0074825	004AX0074846
10	Spring Retainer	1	+	+
11	Spring Insert	1	004CF0076588	004CF0076716
12	Gearbox Assembly	1	004HF0072254	004HF0072254
13	Puller Bar Assembly	1	004AF0076586	004AF0076714
14	Body Assembly	1	004AA0076853	004AA0076711
15	Compression Spring	1	016AA0077128	016AA0077129
16	Disc Spring	1 Set	016AC0030617 (4 individual)	016AC0077171 (4 individual)
17	Outer Seal and AER	1	Ⓕ6	Ⓕ7
18	Inner Seal and AER	1	Ⓕ6	Ⓕ7
19	Socket Head Cap Screw (Handle)	-	+	+
20	Plain Hexagon Nut (Handle)	-	+	+
21	Handle with Links	-	+	+
22	Collar Eyebolt	2	018AA0025797	018AA0025797
Ⓐ1 Available as part of Straight Coupler Kit 002NG0056251		Ⓕ6 Available as part of Seal Kit CKSHA0076588		
Ⓑ2 Available as part of Swivel Coupler Kit 026CF0077312		Ⓓ7 Available as part of Bridge Kit 004HC0077231		
Ⓓ6 Available as part of Bridge Kit 004HC0077230		Ⓕ7 Available as part of Seal Kit CKSHA0076717		
+ Not included in assembly				

**ENERPAC** 

[www.enerpac.com](http://www.enerpac.com)