

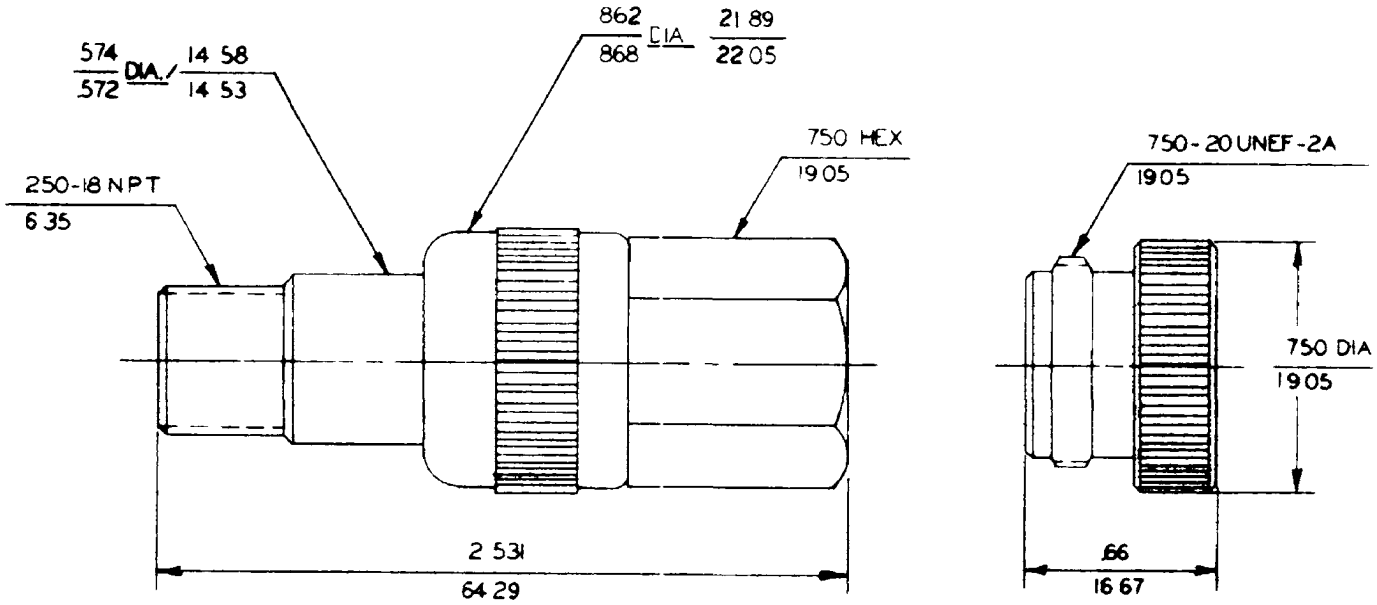
ENERPAC

Specification Sheet

DATE 9-12-72

PRODUCT DESCRIPTION BANTAM SPEE-D COUPLER

ENERPAC BUTLER WISCONSIN 53007 TELEPHONE (414) 781 0800 TELEX 028 682 DIVISION OF APPLIED POWER INDUSTRIES INC



MODEL NO. A-630

INCHES
MILLIMETERS

D34432

ID NO. 777