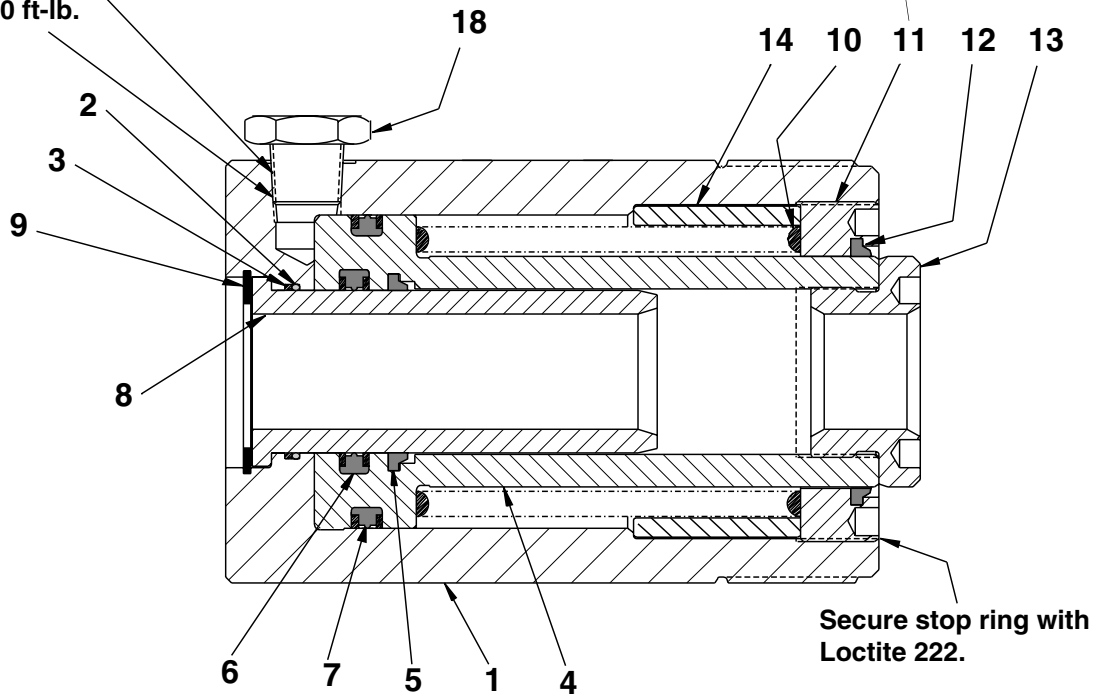


**⚠ WARNING**  
**Stop rings on RCH and RWH models are spring loaded!**  
**If not contained during disassembly, spring and stop ring could cause personal injury.**

**(S)** Stop ring threads are staked. Stake mark must be removed prior to attempting to remove stop ring. Restake after testing repaired cylinder.

Use Loctite 545  
or teflon tape.  
Torque to 50-60 ft-lb.  
[67,6-81,1 Nm]



**NOTE:** Cylinder Base, Item #1 is not available as a service item. Order Complete Cylinder.

**INSTALL ALL KIT COMPONENTS TO INSURE OPTIMUM PERFORMANCE OF THE REPAIRED CYLINDER.**

## REPAIR PARTS LIST

Item No.	RCH-202	RWH-200 RWH-200V	RWH-202 RWH-202V	Quantity	Description
1				1	Cylinder Assembly
2	★	★	★	1	O-Ring
3	★	★	★	1	Back-up Ring
4	DA5164040	DA5163040	DA5164040	1	Plunger
5	★	★	★	1	Wiper Ring
6	★	★	★	1	G-T Ring
7	★	★	★	1	G-T Ring Viton
8	DA5160268	DA5159268	DA5160268	1	Center Tube
9	★	★	★	1	Retaining Ring
10	CF707110	CF707110	CF707110	1	Spring
11	CJ671044	CJ671044	CJ671044	1	Stop Ring
12	★	★	★	1	Wiper Ring Viton
13	CB894045	CB894045	CB894045	1	Saddle
14	CJ672044	CJ672044	CJ672044	1	Stop Ring
15	CR-400	—	—	1	Half Coupler (not shown)
18	—	FZ1630	FZ1630	1	Reducer Bushing

★ Indicates item included in and available only as part of Repair Kit RCH-202K.  
For viton cylinders, order Repair Kit RCH-202KV1.

Australia  
ENERPAC, Applied Power Australia Ltd.  
Block V Unit 3,  
Regents Park Estate,  
391 Park Road  
Regents Park NSW 2143  
(P.O. Box 261) Australia  
Tel: +61 297 438 988  
Fax: +61 297 438 648

Brazil  
Power Packer do  
Brasil LTDA  
Avenida Ferraz  
Alvim nº 1012  
(09961-550) - Diadema  
São Paulo, Brazil  
Tel: +55 11 4051 1188  
Fax: +55 11 4051 3699

China  
Shanghai Blackhawk  
Machinery Co Ltd  
15H Jinxuan Building  
238 Nandan Road (E)  
Shanghai, 200030, China  
Tel: +86 21 6469 8732  
Fax: +86 21 6469 8721

France, Greece, Turkey, Middle East,  
Africa  
ENERPAC S.A.  
B.P. 200, Parc d'Activités  
du Moulin de Massy  
F-91882 Massy CEDEX (Paris) France  
Tel: +33 01 601 368 68  
Fax: +33 01 692 037 50

Germany, Denmark, Scandinavia,  
Austria, Switzerland, Eastern  
Europe, CIS  
ENERPAC  
Applied Power GmbH  
P.O. Box 300113  
D-40401 Düsseldorf, Germany  
Tel: +49 211 471 490  
Fax: +49 211 471 49 28/40

Holland, Belgium, Luxembourg,  
ENERPAC B.V.  
Storkstraat 25  
P.O. Box 269  
3900 AG Veenendaal, Holland  
Tel: +31 318 535 911  
Fax: +31 318 535 848  
+31 318 526 645

Hong Kong  
ENERPAC  
Room 907 Workingberg  
Commercial Building  
41-47 Marble Road,  
North Point  
Tel: +852-2561 6295  
Fax: +852-2561 6772

India  
ENERPAC  
Hydraulic (India) Pvt Ltd  
Plot No. A-571  
MIDC, TTC Industrial Area  
Mahape-400 701,  
Navi Mumbai, India  
Tel: +91 22 769 47 78  
Fax: +91 22 769 84 73

Italy  
ENERPAC Applied Power Italiana S.p.A.  
Via Canova 4,  
20094 Corsico (Milano)  
Tel: +39 2 486 111 00  
Fax: +39 2 486 012 88

Japan  
Applied Power Japan Ltd.  
10-17 Sasame Kita-Machi  
Toda-Shi, Saitama #335, Japan  
Tel: +81 048 421 2311  
Fax: +81 048 421 8949

Malaysia  
Applied Power Hytec (M) Sdn Bhd 22-1,  
Jalan SS 15/8B  
Subang Jaya, 47500  
P.J. Selangor  
West Malaysia  
Tel: (0203) 73729 23/39/19  
Fax: (0203) 737 29 18

Mexico  
ENERPAC Applied Power Mexico S.A. de  
C.V.  
Avenida Principal,  
La Paz #100  
Fracc. Industrial La Paz  
42084 Pachuca, Hidalgo  
Tel: +52 771 337 00  
Fax: +52 771 838 00

Singapore  
Applied Power Asia Pte Ltd  
47 Jalan Pemimpin,  
#01-02 & 01-03  
Sin Cheong Bldg  
Singapore 577200  
Thomson Road,  
P.O. Box 114  
Singapore 915704  
Tel: +65 258 16 77  
Fax: +65 258 28 47

South Korea  
ENERPAC  
Applied Power Korea Ltd.  
163-12 Dodang-Dong, Choong-Ku,  
Buchun-shi, Kyunggi-Do  
Republic of Korea  
Tel: +82 32 675 08 36  
Fax: +82 32 675 30 02

Spain, Portugal  
ENERPAC Applied Power International S.A.  
A. Valgrande 14  
Nave 12  
28108 Alcobendas (Madrid), Spain  
Tel: +34 91 661 11 25  
Fax: +34 91 661 47 89

United Kingdom, Ireland  
ENERPAC Limited  
Unit 3 Colemeadow Road  
North Moons Moat, Redditch  
Worcester B98 9PB  
United Kingdom  
Tel: +44 01527 598 900  
Fax: +44 01527 585 500

USA, Canada, Latin America and  
Caribbean  
ENERPAC  
6101 N. Baker Road  
Milwaukee, WI 53209 USA  
Tel: +1 414 781 66 00  
Fax: +1 414 781 10 49

USA  
User inquiries:  
+1 800 433 2766  
Distributor inquiries/orders:  
+1 800 558 0530

Canada  
User inquiries:  
+1 800 426 4129  
Distributor inquiries/orders:  
+1 800 426 2284

Internet  
www.enerpac.com

e-mail  
info@enerpac.com

All Enerpac products are guaranteed against defects in workmanship and materials for as long as you own them.  
Under this guarantee, free repair or replacement will be made to your satisfaction.

For your nearest authorized Enerpac Service Center, visit us at [www.enerpac.com](http://www.enerpac.com)