



Repair Parts Sheet

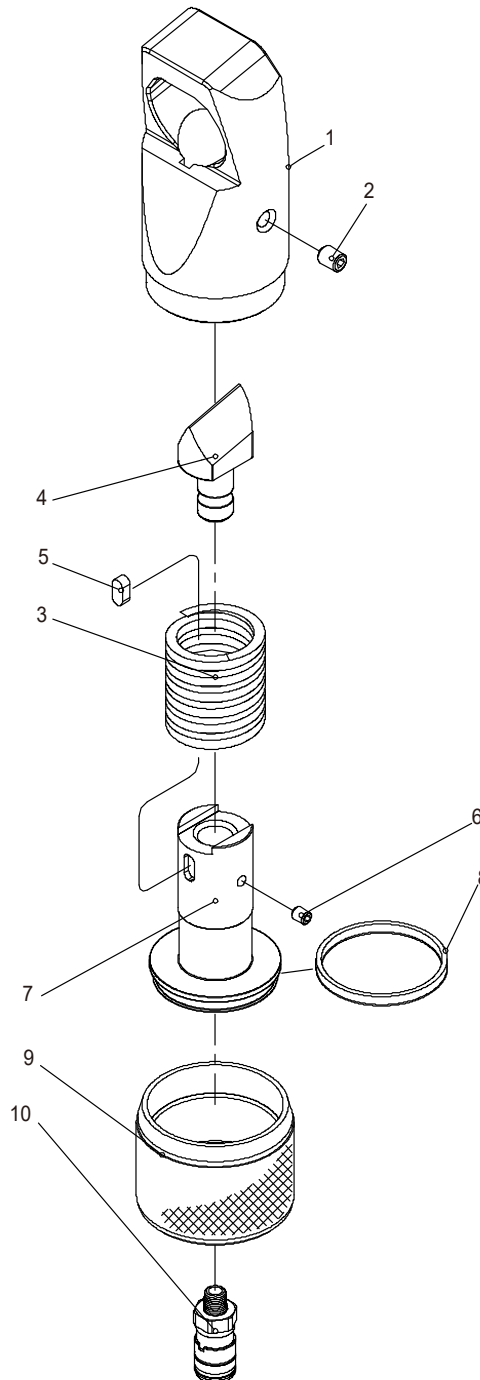
Hydraulic Nut Splitters, NC-1019, NC-1924,
NC-2432, NC-3241, NC-4150, NC-5060, NC-6075,
NC-1924D, NC2432D, NC-3241D

L1456 Rev. D 2021/3/01

For Date Codes Beginning with the Letter A

To Protect Your Warranty, Use Only ENERPAC Hydraulic Oil.

Enerpac recommends that all kit components be installed to insure optimum performance of the repaired product.



Repair Part List for Figure 1

Item	Part Number							Qty.	Description
	NC1019*	NC1924/ NC1924D	NC2432/ NC2432D	NC3241/ NC3241D	NC4150	NC5060	NC6075		
1	N/A	N/A	N/A	N/A	N/A	N/A	N/A	1	Not Sold Separately
		N/A	N/A	N/A					
2	Std. Hardware							1	M8x1.25x10 Screw
		Std. Hardware						1	M10x1.25x10 Screw
			Std. Hardware	Std. Hardware	Std. Hardware			1	M12x1.75x10 Screw
						Std. Hardware	Std. Hardware	1	M14x2x18 Screw
3	DC6532110	DC6533110	DC6534110	DC6535110	DC6536110	DC6537110	DC6538110	1	Spring
4	NCB1019**	NCB1924	NCB2432	NCB3241	NCB4150	NCB5060	NCB6075	1	Moving Blade (Single)
		NCB1924D	NCB2432D	NCB3241D					Static Blade (Double)
5	DC6539013	DC6540013	DC6542013	DC6542013	DC6543013	DC6544013	DC6545013	1	Guide Block
6	Std. Hardware							1	M5x0.8x4 Screw
		Std. Hardware							1
			Std. Hardware	Std. Hardware	Std. Hardware			1	M8x1.25x6 Screw
						Std. Hardware	Std. Hardware	1	M10x1.5x12 Screw
7	DC6546040	DC6547040	DC6548040	DC6549040	DC6550040	DC6551040	DC6552040	1	Main Piston
8	DC6553503	DC6554503	DC6555503	DC6556503	DC6557503	DC6558503	DC6559503	1	O-Ring
9	DC6560030	DC6561030	DC6562030	DC6563030	DC6564030	DC6565030	DC6566030	1	Cylinder
10	CR400	CR400	CR400	CR400	CR400	CR400	CR400	1	Coupler
■	DC6567816							1	2.5 mm T-Handle Wrench
■		DC6568816						1	3 mm T-Handle Wrench
■	DC6569816		DC6569816	DC6569816	DC6569816			1	4 mm T-Handle Wrench
■		DC6570816				DC6570816	DC6570816	1	5 mm T-Handle Wrench
■			DC6571816	DC6571816	DC6571816	DC6571816	DC6571816	1	6 mm T-Handle Wrench
■	DC6572530	DC6572530	DC6572530	DC6572530	DC6572530	DC6572530	DC6572530	1	Case

■ Not Shown

* Previously known as NC1319

** Previously known as NCB1319



www.enerpac.com