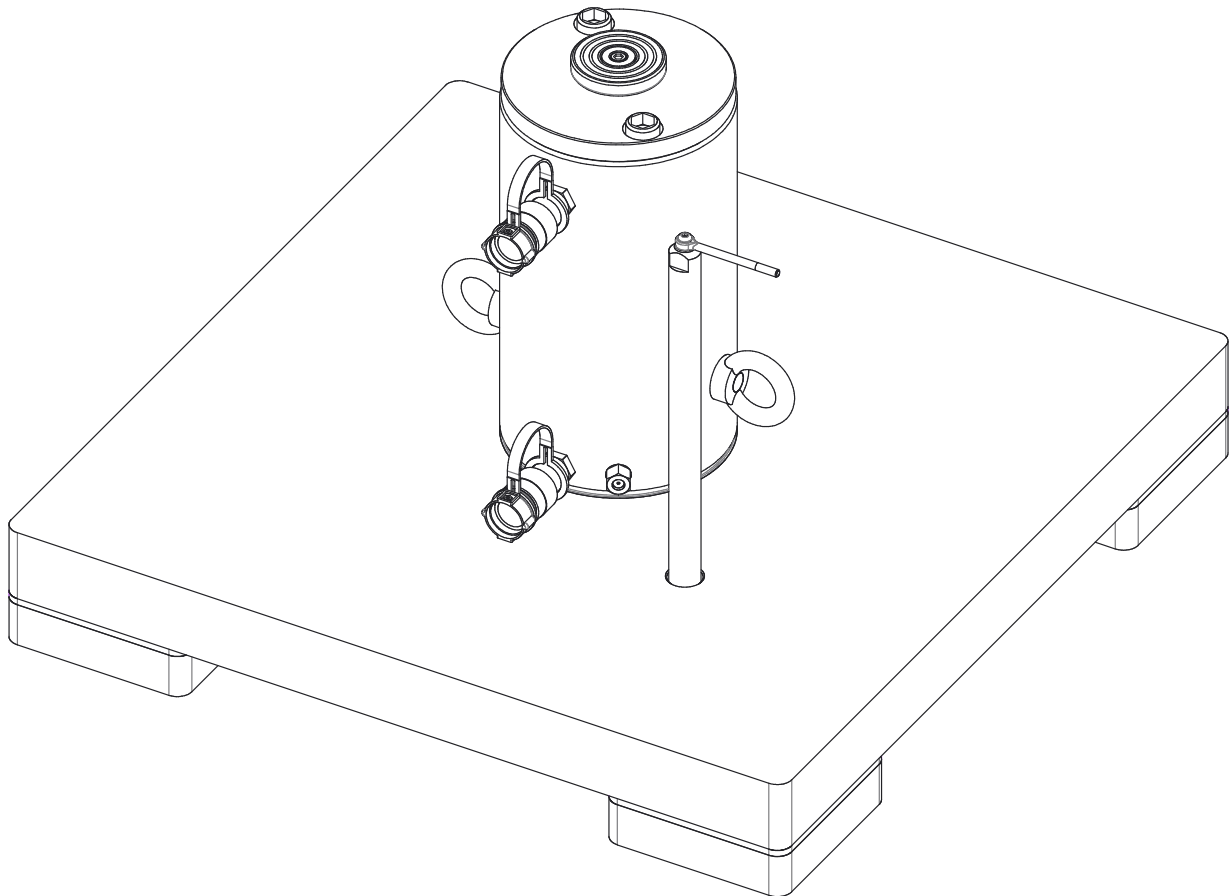


Document Number	Document Revision	Document Revision Date	Product Date Code Beginning With
L4157	A	03/2016	A

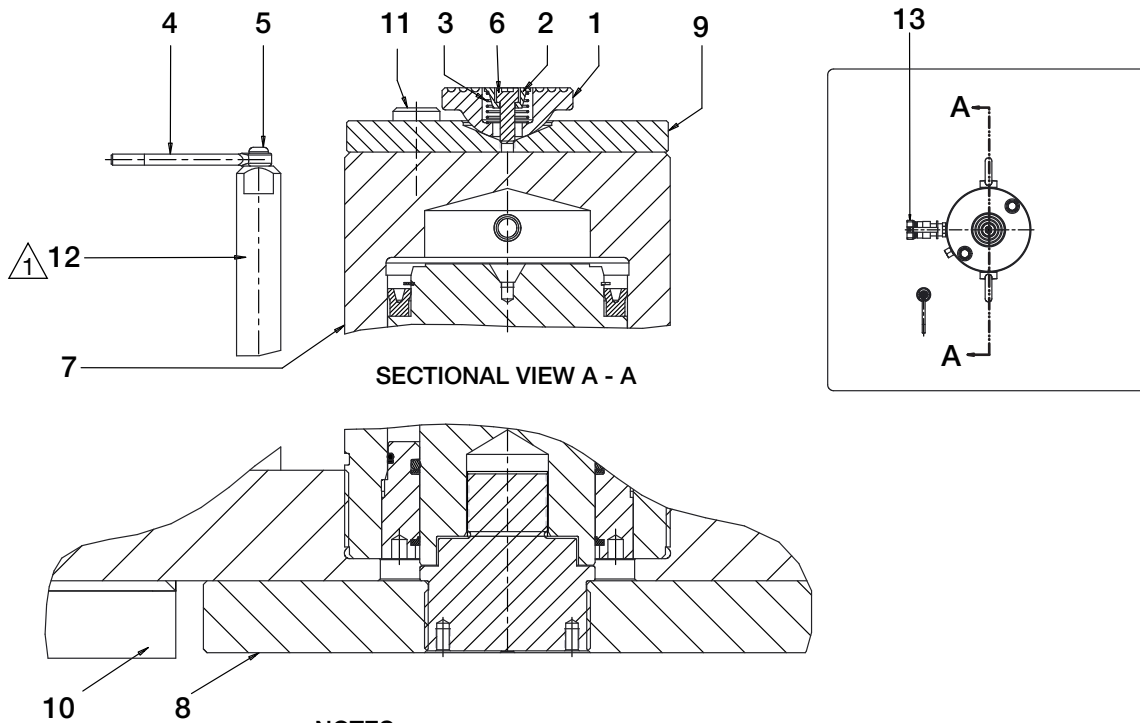
**NOTICE:**

Enerpac recommends the installation of all parts included in a service assembly or repair kit to ensure optimum performance of the repaired product.



**⚠ WARNING** Fully relieve hydraulic pressure and disconnect hydraulic hoses before beginning any maintenance, repair or inspection procedures. Failure to observe these precautions could result in death or serious personal injury.

**Fig. 1, Main Assembly**



**NOTES:**

1 Apply Loctite 222 to threads of anti-rotation rod.

**Assembly Instructions:**

- a) Screw cylinder assembly into base plate until the end of the thread is reached.
- b) Unscrew the cylinder until the couplers are in the correct position.
- c) Extend the plunger.
- d) Assemble the plunger plate until the end of the thread is reached.
- e) Rotate plunger and plate to align the holes for the anti-rotation rod.
- f) Apply Loctite 222 to threads and assemble the anti-rotation rod.

**Repair Parts List, Fig. 1**

**L4157**

Item	Part Number	Qty.	Description	Item	Part Number	Qty.	Description
1	BSS2625D	1	Upper Saddle (tilt)	9	CV828045	1	Under Saddle
2	BSS2630D	1	Spring Guide	10	CV835101	1	Plate, Base
3	BSS2635D	1	Spring	11	CV849028	2	SHC Screw
4	CAB643028-4B	1	Cable Support Rod	12	DQ1912061	1	Anti-Rotation Rod
5	CBE621028-1E	2	Screw, BHCS M6 x 20	13	M229900	2	Dust Cap
6	CSB1347028	1	SHC Screw	14	♣ DA5117026	1	Caution Warning Decal
7	CU483900	1	Hydraulic Cylinder	15	♣ G425026	1	Enerpac Decal
8	CV825900	1	Plate, Plunger End				

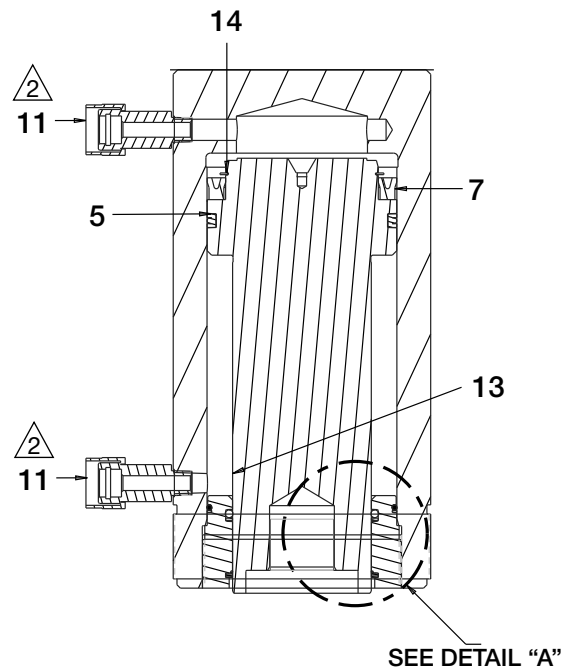
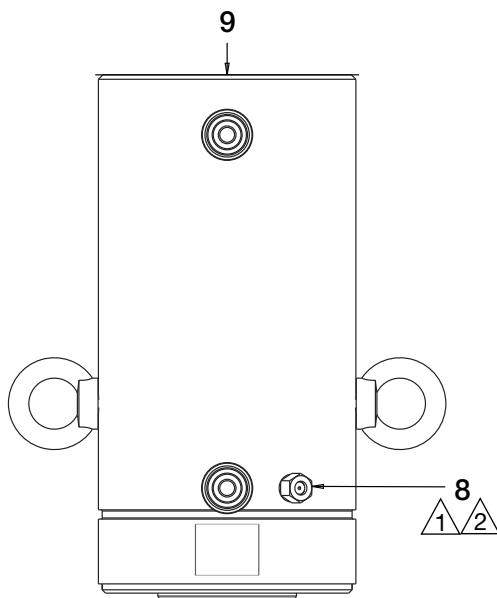
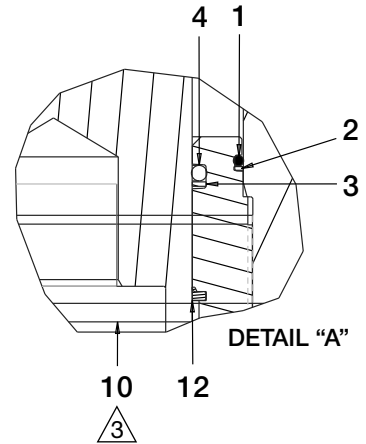
**Notes:**

♣ Item not shown.

**Fig. 2, Hydraulic Cylinder**

**NOTES:**

- ① Set safety relief valve to 760-795 Bar [11000 - 11500 psi].
- ② Torque to 54 - 81 Nm [40 - 60 ft-lbs].
- ③ Apply Loctite 222 to threads and install stop ring in accordance with Enerpac Engineering Standard EES-15.



**Repair Parts List, Fig. 2**

**L4157**

Item	Part Number	Qty.	Description	Item	Part Number	Qty.	Description
1	★ B1115503	1	O-Ring	8	★ CJ160900W	1	Relief Valve Assembly
2	★ B1249566	1	Backup Ring, Solid	9	CK143030	2	Cylinder Housing
3	★ B1343564	1	Backup Washer	10	★ CL800044	2	Stop Ring
4	B1343803	2	O-Ring	11	DC1389900	2	Female Coupler
5	B1426513	1	Seal, GT Piston 5-1/8" OD	12	F516044	1	Wiper Ring
6	BSS6350D	1	Lifting Eye	13	G678040	1	Plunger
7	CH788041	2	U-Cup	14	L751044	1	Retaining Ring

**Notes:**

- ★ Item included in RR1006K Repair Kit.
- Repair kit items are not sold separately.

## Enerpac Worldwide Locations

✦ e-mail: [info@enerpac.com](mailto:info@enerpac.com)

✦ internet: [www.enerpac.com](http://www.enerpac.com)

### Australia and New Zealand

Actuant Australia Ltd.  
P.O. Box 6867  
Wetherhill Park, NSW1851  
Block V Unit 3  
Regents Park Estate  
391 Park Road  
Regents Park NSW 2143  
Australia  
T +61 287 177 200  
F +61 297 438 648  
[sales-au@enerpac.com](mailto:sales-au@enerpac.com)

### Brazil

Power Packer do Brasil Ltda.  
Rua Luiz Lawrie Reid, 548  
09930-760 - Diadema (SP) - Brazil  
T +55 11 5687 2211  
Toll Free: 0800 891 5770  
[ventasbrasil@enerpac.com](mailto:ventasbrasil@enerpac.com)

### China (Taicang)

Actuant (China) Industries Co. Ltd.  
No. 6 Nanjing East Road,  
Taicang Economic Dep Zone  
Jiangsu, China  
T +86 0512 5328 7500  
F +86 0512 5335 9690  
Toll Free: +86 400 885 0369  
[sales-cn@enerpac.com](mailto:sales-cn@enerpac.com)

### France, Switzerland, North Africa and French speaking African countries

ENERPAC  
Une division d'ACTUANT France S.A.S.  
ZA de Courtaboeuf  
32, avenue de la Baltique  
91140 VILLEBON /YVETTE  
France  
T +33 1 60 13 68 68  
F +33 1 69 20 37 50  
[sales-fr@enerpac.com](mailto:sales-fr@enerpac.com)

### Germany and Austria

ENERPAC GmbH  
P.O. Box 300113  
D-40401 Düsseldorf  
Willstätterstrasse 13  
D-40549 Düsseldorf, Germany  
T +49 211 471 490  
F +49 211 471 49 28  
[sales-de@enerpac.com](mailto:sales-de@enerpac.com)

### India

ENERPAC Hydraulics (India) Pvt. Ltd.  
No. 10, Bellary Road, Sadashivanagar,  
Bangalore, Karnataka 560 080  
India  
T +91 80 3928 9000  
[info@enerpac.co.in](mailto:info@enerpac.co.in)  
[www.enerpac.com](http://www.enerpac.com)

### Italy

ENERPAC S.p.A.  
Via Canova 4  
20094 Corsico (Milano)  
T +39 02 4861 111  
F +39 02 4860 1288  
[sales-it@enerpac.com](mailto:sales-it@enerpac.com)

### Japan

Applied Power Japan LTD KK  
Besshocho 85-7  
Kita-ku, Saitama-shi 331-0821, Japan  
T +81 48 662 4911  
F +81 48 662 4955  
[sales-jp@enerpac.com](mailto:sales-jp@enerpac.com)

### Middle East, Egypt and Libya

ENERPAC Middle East FZE  
Office 423, LOB 15  
P.O. Box 18004, Jebel Ali, Dubai  
United Arab Emirates  
T +971 (0)4 8872686  
F +971 (0)4 8872687  
[sales-ua@enerpac.com](mailto:sales-ua@enerpac.com)

### Russia

Rep. office Enerpac  
Russian Federation  
Admirala Makarova Street 8  
125212 Moscow, Russia  
T +7 495 98090 91  
F +7 495 98090 92  
[sales-ru@enerpac.com](mailto:sales-ru@enerpac.com)

### Southeast Asia, Hong Kong and Taiwan

Actuant Asia Pte Ltd.  
83 Joo Koon Circle  
Singapore 629109  
T +65 68 63 0611  
F +65 64 84 5669  
Toll Free: +1800 363 7722  
[sales-sg@enerpac.com](mailto:sales-sg@enerpac.com)

### South Korea

Actuant Korea Ltd.  
3Ba 717, Shihwa Industrial Complex  
Jungwang-Dong, Shihung-Shi,  
Kyunggi-Do  
Republic of Korea 429-450  
T +82 31 434 4506  
F +82 31 434 4507  
[sales-kr@enerpac.com](mailto:sales-kr@enerpac.com)

### Spain and Portugal

ENERPAC SPAIN, S.L.  
Avda. Los Frailes, 40 – Nave C & D  
Pol. Ind. Los Frailes  
28814 Daganzo de Arriba  
(Madrid) Spain  
T +34 91 884 86 06  
F +34 91 884 86 11  
[sales-es@enerpac.com](mailto:sales-es@enerpac.com)

### Sweden, Denmark, Norway, Finland and Iceland

Enerpac Scandinavia AB  
Kopparlundsvägen 14,  
721 30 Västerås  
Sweden  
T +46 (0) 771 41 50 00  
[scandinavianinquiries@enerpac.com](mailto:scandinavianinquiries@enerpac.com)

### The Netherlands, Belgium, Luxembourg, Central and Eastern Europe, Baltic States, Greece, Turkey and CIS countries

ENERPAC B.V.  
Galvanistraat 115, 6716 AE Ede  
P.O. Box 8097, 6710 AB Ede  
The Netherlands  
T +31 318 535 911  
F +31 318 535 848  
[sales-nl@enerpac.com](mailto:sales-nl@enerpac.com)

### Enerpac Integrated Solutions B.V.

Spinelstraat 15, 7554 TS Hengelo  
P.O. Box 421, 7550 AK Hengelo  
The Netherlands  
T +31 74 242 20 45  
F +31 74 243 03 38  
[integratedsolutions@enerpac.com](mailto:integratedsolutions@enerpac.com)

### South Africa and other English speaking African countries

Enerpac Africa Pty Ltd.  
No. 5 Bauhinia Avenue  
Cambridge Office Park  
Block E  
Highveld Techno Park  
Centurion 0157  
Republic of South Africa  
T: +27 12 940 0656  
[sales-za@enerpac.com](mailto:sales-za@enerpac.com)

### United Kingdom and Ireland

ENERPAC UK Ltd.  
5 Coopies Field  
Morpeth, Northumberland  
NE61 6JR, England  
T +44 1670 5010 00  
[sales-uk@enerpac.com](mailto:sales-uk@enerpac.com)

### USA, Latin America and Caribbean

ENERPAC World Headquarters  
P.O. Box 3241  
Milwaukee WI 53201-3241 USA  
N86 W12500 Westbrook Crossing  
Menomonee Falls, Wisconsin 53051  
T +1 262 293 1600  
F +1 262 293 7036  
User inquiries:  
T +1 800 433 2766  
Distributor inquiries/orders:  
T +1 800 558 0530  
F +1 800 628 0490  
Technical inquiries:  
[techservices@enerpac.com](mailto:techservices@enerpac.com)  
[sales-us@enerpac.com](mailto:sales-us@enerpac.com)

All Enerpac products are  
guaranteed against defects  
in workmanship and materials  
for as long as you own them.

For the location of your nearest  
authorized Enerpac Service Center,  
visit us at [www.enerpac.com](http://www.enerpac.com)

030316

# ENERPAC

Visit [www.enerpac.com](http://www.enerpac.com) for the location of the  
Enerpac Authorized Service Center nearest you.