

Document Number	Revision	Revision Date	Product Date Code Beginning With
L4289	Rev. B	04/2021	C

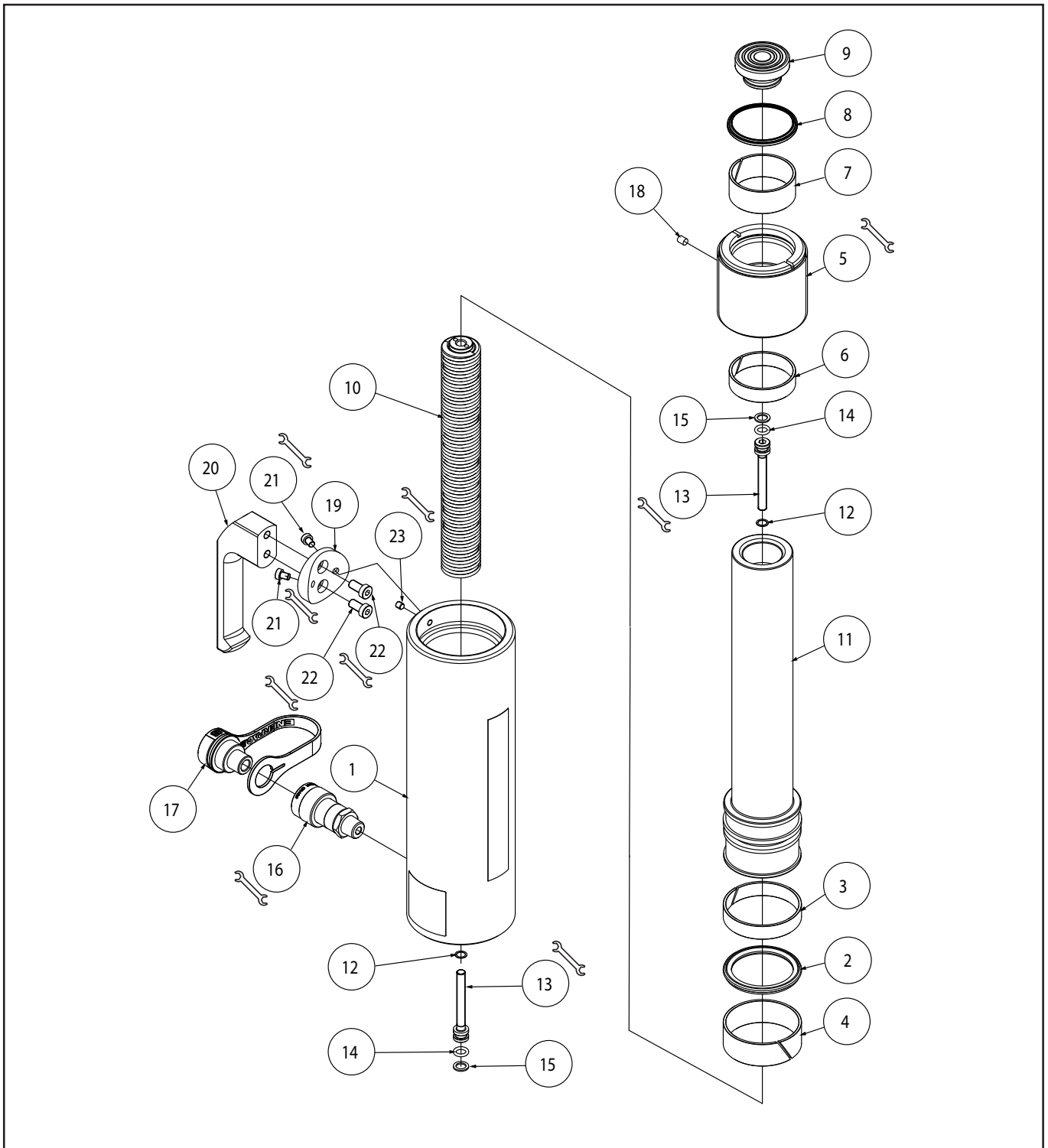


Figure 1, RC Hydraulic Cylinder, 30 Ton

Repair Parts List, Figure 1

Item	Description	Qty	RC308
1	Base	1	N/A
2	Piston Seal	1	▲ ●
3	Wear Band, Plunger	1	▲ ★
4	Wear Band, Plunger	1	▲ ◆
5	Stop Ring	1	RC30044
6	Wear Band, Stop Ring	1	▲ *
7	Wear Band, Stop Ring	1	▲ ✱
8	Wiper	1	▲ ✕
9	Saddle Assembly	1	A252G
10	Spring Assembly	1	RC30NKS1
11	Plunger	1	RC308040
12	Copper Gasket	2	▲ ■
13	Screw, Socket Head	2	▲ ■
14	O-Ring	2	▲ ■
15	Backup, Split	2	▲ ■
16	Coupler	1	CR400
17	Dust Cap ▲	1	CD411
18	Filter	1	▲
19	Handle, Base	1	◆
20	Handle	1	◆
21	Screw, M6 X 8	2	▲ ◆
22	Screw, M8 X 16	2	▲ ◆
23	Set Screw, M6 X 8	1	▲
N/S	O-ring, coupler	1	▲
N/S	Enerpac Decal	1	▲
N/S	Warning Decal	1	▲
N/S	O-ring, saddle	1	▲
N/S	Thread Protector	1	▲

Notes:

- ▲ Indicated item included in and available as a part of the Repair Kit RC30NK0
- Indicated item included in and available as a part of the Spring Assembly
- ◆ Indicated item included in and available as a part of the Handle Kit CHM2
- Indicated item included in and available as packs of 10 units in Seal Kit RC30NKS (see below)
- ★ Indicated item included in and available as packs of 10 units in Wear Band Kit Plunger RC30NKB1 (see below)
- ◆ Indicated item included in and available as packs of 10 units in Wear Band Kit Plunger RC30NKB4 (see below)
- * Indicated item included in and available as packs of 10 units in Wear Band Kit Stop Ring RC30NKB2 (see below)
- ✱ Indicated item included in and available as packs of 10 units in Wear Band Kit Stop Ring RC30NKB3 (see below)
- ✕ Indicated item included in and available as packs of 10 units in Wiper Kit RC30NKW (see below)

●★◆✱✱✕ Kits only available in America



Item nr.	Torque/ remark
5	Secure with Loctite 222 and torque to 70-90 in-lbs [7.9-10.2 Nm]
13, 22	Torque to 90-110 in-lbs [10.2-12.4 Nm]
16	Torque to 40-60 ft-lbs [54-81 Nm]
	Use Loctite 545 or Teflon Tape
21, 23	Torque to 50-70 in-lbs [5.6-7.9 Nm]

ENERPAC

www.enerpac.com