

Document Number	Revision	Revision Date	Product Date Code Beginning With
L4456	Rev. A	03/2020	A

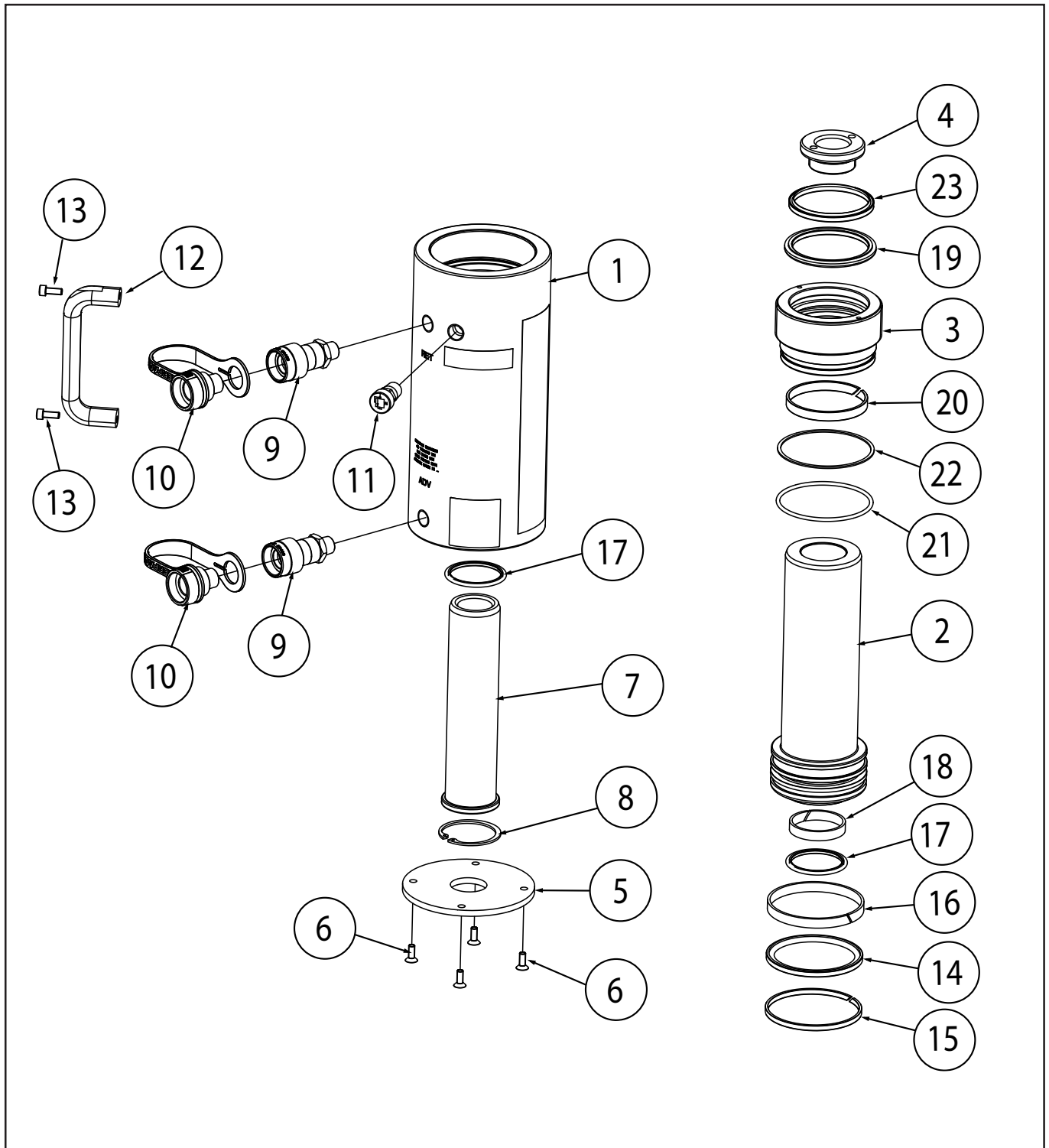


Figure 1, RARH Aluminum Cylinder, 30 Ton

Repair Parts List, Figure 1

Item	Description	Qty	RARH302	RARH306	RARH3010
1	Base	1	N/A	N/A	N/A
2	Plunger	1	N/A	N/A	N/A
3	Stop Ring	1	RARH30044	RARH30044	RARH30044
4	Saddle	1	CF698045	CF698045	CF698045
5	Protector Plate	1	DC5457101	DC5457101	DC5457101
6	Screw-FHCS	4	▲	▲	▲
7	Center Tube	1	RACH302005	RACH306005	RACH3010005
8	Retaining Ring	1	▲	▲	▲
9	Female Coupler	2	DC1389900	DC1389900	DC1389900
10	Dust Cap	2	▲	▲	▲
11	Relief Valve	1	CJ160900W	CJ160900W	CJ160900W
12	Handle	1	DC5477070	DC5477070	DC5477070
13	Screw-SHCS	2	▲	▲	▲
14	Piston Seal	1	▲	▲	▲
15	Piston Wear Ring 5.6 Wide	1	▲	▲	▲
16	Piston Wear Ring 9.7 Wide	1	▲	▲	▲
17	Center Tube Seal	2	▲	▲	▲
18	Rod Wear Ring 9.7 wide	1	▲	▲	▲
19	Rod Seal	1	▲	▲	▲
20	Rod Wear Ring 9.7 wide	1	▲	▲	▲
21	O-ring	1	▲	▲	▲
22	Backup	1	▲	▲	▲
23	Wiper	1	▲	▲	▲
24	O-ring, coupler (not shown)	2	▲	▲	▲
25	Enerpac Decal (not shown)	1	▲	▲	▲
26	Warning Decal (not shown)	1	▲	▲	▲
27	Relief Warning Decal (not shown)	1	▲	▲	▲

Notes:

▲ Indicated item included in and available only as a part of the Repair Kit RARH30K50



Item nr.	Torque/ remark
9 and 11	Torque to 75 ft-lbs min [103Nm]
6 and 13	Torque to 50-70 in-lbs [5.5-7.5 Nm]
3	Torque to 15-25 in-lbs [21-34 Nm]
3	Secure with Loctitte 222 PER EES 115-16

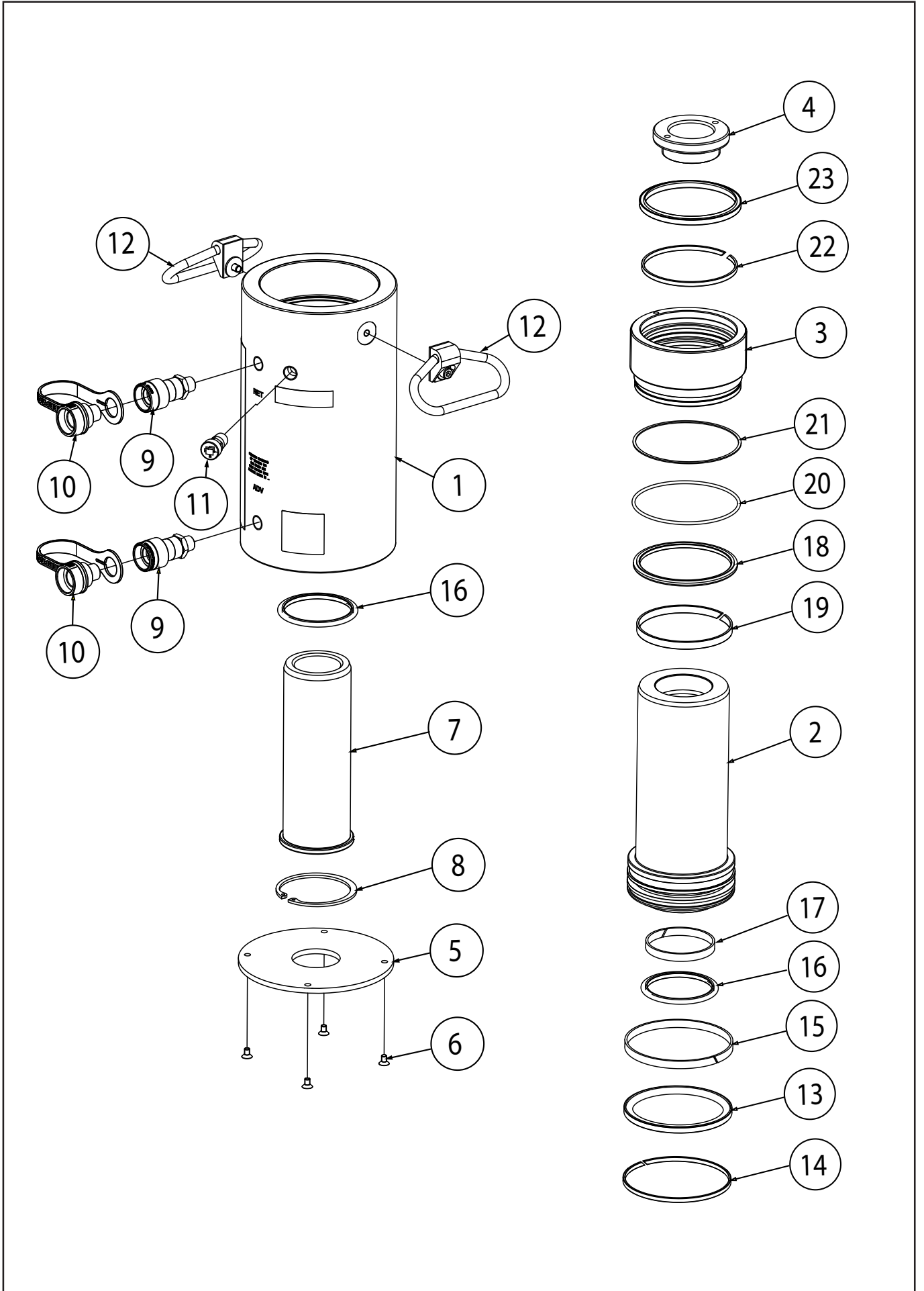


Figure 2, RARH Aluminum Cylinder, 60 Ton

Repair Parts List, Figure 2

Item	Description	Qty	RARH602	RARH606	RARH6010
1	Base	1	N/A	N/A	N/A
2	Plunger	1	RARH602040	RARH606040	RARH6010040
3	Stop Ring	1	RARH60044	RARH60044	RARH60044
4	Saddle	1	CB891045	CB891045	CB891045
5	Protector Plate	1	DC5458101	DC5458101	DC5458101
6	Screw-FHCS	4	■	■	■
7	Center Tube	1	RACH602005	RACH606005	RACH6010005
8	Retaining Ring	1	■	■	■
9	Female coupler	2	DC1389900	DC1389900	DC1389900
10	Dust Cap	2	■	■	■
11	Relief Valve	1	CJ160900W	CJ160900W	CJ160900W
12	Handle	2	CHM8-20	CHM8-20	CHM8-20
13	Piston Seal	1	■	■	■
14	Piston Wear Ring 5.6 Wide	1	■	■	■
15	Piston Wear Ring 9.7 Wide	1	■	■	■
16	Center Tube Seal	2	■	■	■
17	Rod Wear Ring 9.7 wide	1	■	■	■
18	Rod Seal	1	■	■	■
19	Rod Wear Ring 9.7 wide	1	■	■	■
20	O-ring	1	■	■	■
21	Backup	1	■	■	■
22	Rod Wear Ring 5.6 wide	1	■	■	■
23	Wiper	1	■	■	■
24	O-ring, coupler (not shown)	2	■	■	■
25	Enerpac Decal (not shown)	1	■	■	■
26	Warning Decal (not shown)	1	■	■	■
27	Relief Warning Decal (not shown)	1	■	■	■

Notes:

■ Indicated item included in and available only as a part of the Repair Kit RARH60K50



Item nr.	Torque/ remark
9 and 11	Torque to 75 ft-lbs min [103Nm]
6	Torque to 50-70 in-lbs [5.5-7.5 Nm]
12	Torque to 80-100 in-lbs [9-11Nm]
3	Torque to 15-25 in-lbs [21-34 Nm]
12	Secure with Loctitte 271
3	Secure with Loctitte 222 PER EES 115-16