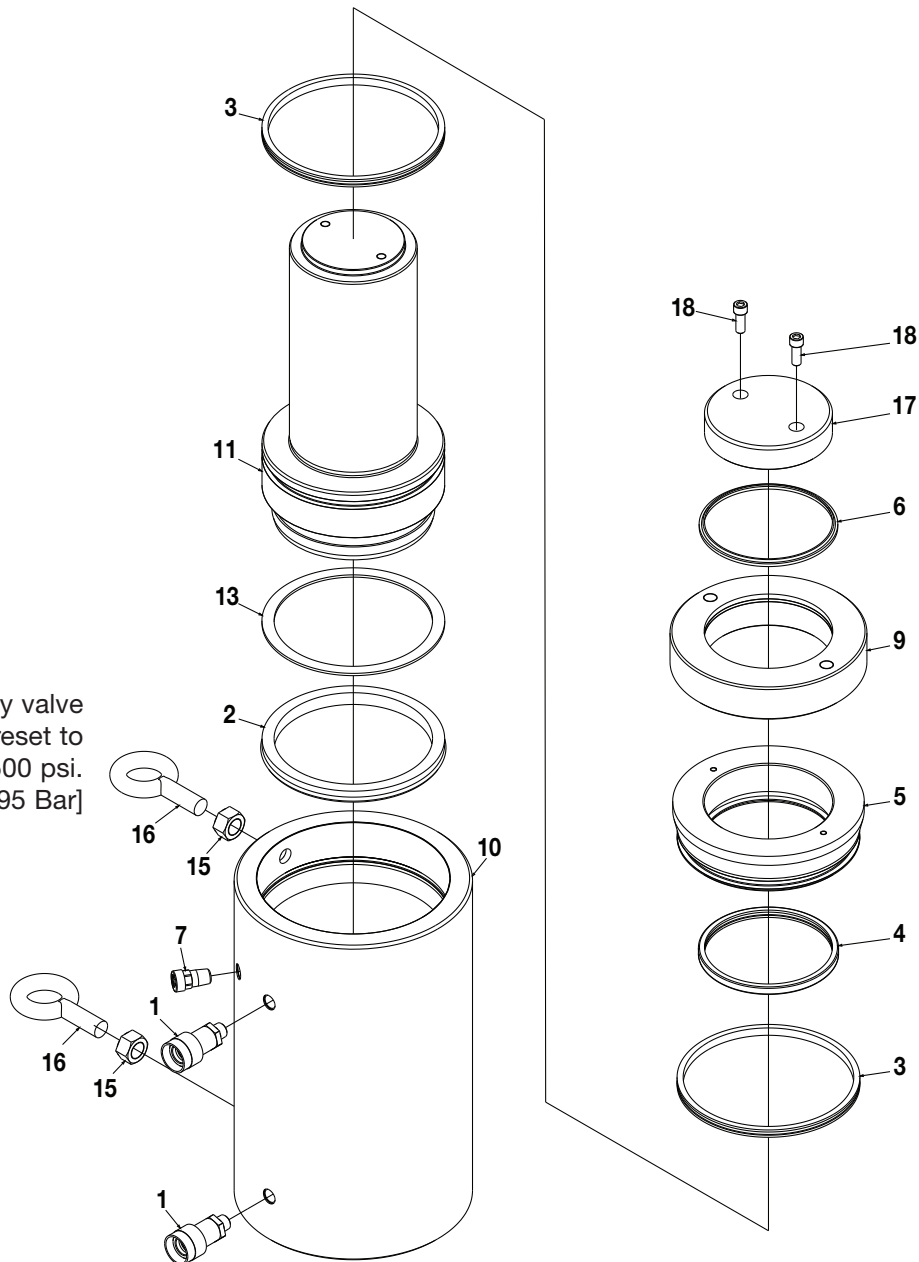


To Protect Your Warranty, Use Only ENERPAC Hydraulic Oil.

Enerpac recommends that all kit components be installed to insure optimum performance of the repaired product.

NOTE: Safety valve
(item #7) preset to
11,000 - 11,500 psi.
[760-795 Bar]



REPAIR PARTS LIST			
Item	Part No.	Qty.	Description
1	DA12403900	2	Female Coupler
2	*CH875041	1	U Cup
3	*B1441513	2	GT Ring Assembly
4	*B1431514	1	GT Ring
5	CN776044	1	Stop Ring
6	*M456044	1	Wiper Ring
7	CJ160900	1	Relief Valve Assembly
9	M204044	1	Plunger Retaining Ring
10	CM154030	1	Cylinder
11	M813040	1	Plunger
13	*DD7621565	1	Backup, POM
15	B1015120	2	Hex Nut
16	CM578242	2	Eye Bolt
17	CB804045	1	Saddle
18	B1069028	2	Screw
* Included in and available only as a part of Repair Kit RR2006K1.			



www.enerpac.com